

**По вопросам продаж и поддержки обращайтесь:**

Архангельск (8182)63-90-72	Краснодар (861)203-40-90	Рязань (4912)46-61-64
Астана (7172)727-132	Красноярск (391)204-63-61	Самара (846)206-03-16
Белгород (4722)40-23-64	Курск (4712)77-13-04	Санкт-Петербург (812)309-46-40
Брянск (4832)59-03-52	Липецк (4742)52-20-81	Саратов (845)249-38-78
Владивосток (423)249-28-31	Магнитогорск (3519)55-03-13	Смоленск (4812)29-41-54
Волгоград (844)278-03-48	Москва (495)268-04-70	Сочи (862)225-72-31
Вологда (8172)26-41-59	Мурманск (8152)59-64-93	Ставрополь (8652)20-65-13
Воронеж (473)204-51-73	Набережные Челны (8552)20-53-41	Тверь (4822)63-31-35
Екатеринбург (343)384-55-89	Нижний Новгород (831)429-08-12	Томск (3822)98-41-53
Иваново (4932)77-34-06	Новокузнецк (3843)20-46-81	Тула (4872)74-02-29
Ижевск (3412)26-03-58	Новосибирск (383)227-86-73	Тюмень (3452)66-21-18
Казань (843)206-01-48	Орел (4862)44-53-42	Ульяновск (8422)24-23-59
Калининград (4012)72-03-81	Оренбург (3532)37-68-04	Уфа (347)229-48-12
Калуга (4842)92-23-67	Пенза (8412)22-31-16	Челябинск (351)202-03-61
Кемерово (3842)65-04-62	Пермь (342)205-81-47	Череповец (8202)49-02-64
Киров (8332)68-02-04	Ростов-на-Дону (863)308-18-15	Ярославль (4852)69-52-93

**Единый адрес:** [mxr@nt-rt.ru](mailto:mxr@nt-rt.ru) **Веб-сайт:** [www.markilux.nt-rt.ru](http://www.markilux.nt-rt.ru)

**Маркизы для зимнего сада RS 8000 markilux**

safe · timeless · beautiful



Photos SCALA

## ***markilux* RS 8000**

The sturdy support structure for large solar shading systems

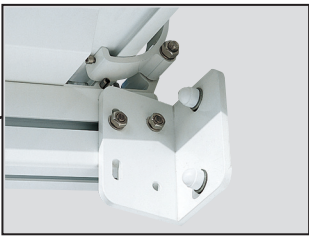


# **markilux** RS 8000

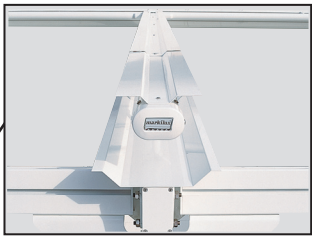
The sturdy support structure for large solar shading systems

- technical highlights**
- sturdy extruded aluminium profiles give stability even at large extensions of up to 700 cm
  - gusset and foot plates made of steel - galvanized and powder coated for long-lasting attractiveness
  - for large areas, more than one field can be coupled

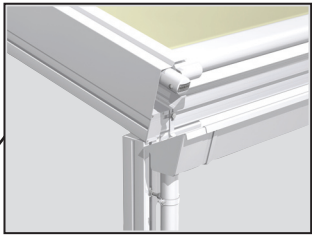
- optional accessories**
- top and bottom gutters provide water drainage from the side of the cover
  - profiles are also available in special RAL colours
  - gutter for water drainage at the front profile



face fixture  
0° - 30° possible



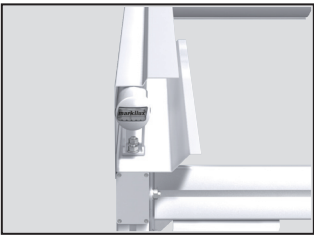
coupling point with top  
and bottom gutters  
optionally available  
above and below the  
guide tracks



optionally  
with gutter


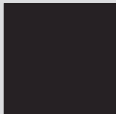



footplate



top and bottom gutters  
optionally available  
above and below the  
guide tracks

RAL colours:

		
---	---	---



safe · timeless · beautiful



## ***markilux* RS 8000**

The stabile support structure for large solar shading systems



## dimensions and configuration options

Single field (overall width = dimension between fixture points + 8 cm)

		dimension between fixture points										
		150	200	250	300	350	400	450	500 <sup>(5)</sup>	550 <sup>(5)</sup>	600 <sup>(5)</sup>	650 <sup>(5)</sup>
		74 - 150	151 - 200	201 - 250	251 - 300	301 - 350	351 - 400	401 - 450	451 - 500	501 - 550	551 - 600	601 - 650
overall width		+6	+6	+6	+6	+6	+6	+6	+6	+6	+6	+6
extension	150											
	200											
	250											
	300											
	350											
	400											
	450											
	500											
	550											
	600											
	700											

additional field (overall width of multiple units = dimension between fixture points of single field + dimension between points of additional field + 8 cm)

		dimension between fixture points										
		150	200	250	300	350	400	450	500 <sup>(5)</sup>	550	600	650
		74 - 150	151 - 200	201 - 250	251 - 300	301 - 350	351 - 400	401 - 450	451 - 500	501 - 550	551 - 600	601 - 650
overall width		+6	+6	+6	+6	+6	+6	+6	+6	+6	+6	+6
extension	150											
	200											
	250											
	300											
	350											
	400											
	450											
	500											
	550											
	600											
	700											





- = available
- = available, incl. 1 additional cross strut to make support of the cover support tube possible
- = available, incl. 2 additional cross struts to make support of the cover support tubes possible

15) from a field width of 451 cm, an additional central housing support is required.

The markilux 8000 frame system is supplied as a kit including bolts for affixing the markilux 8000. When ordering please use the order form templates for single, coupled and three-field units.

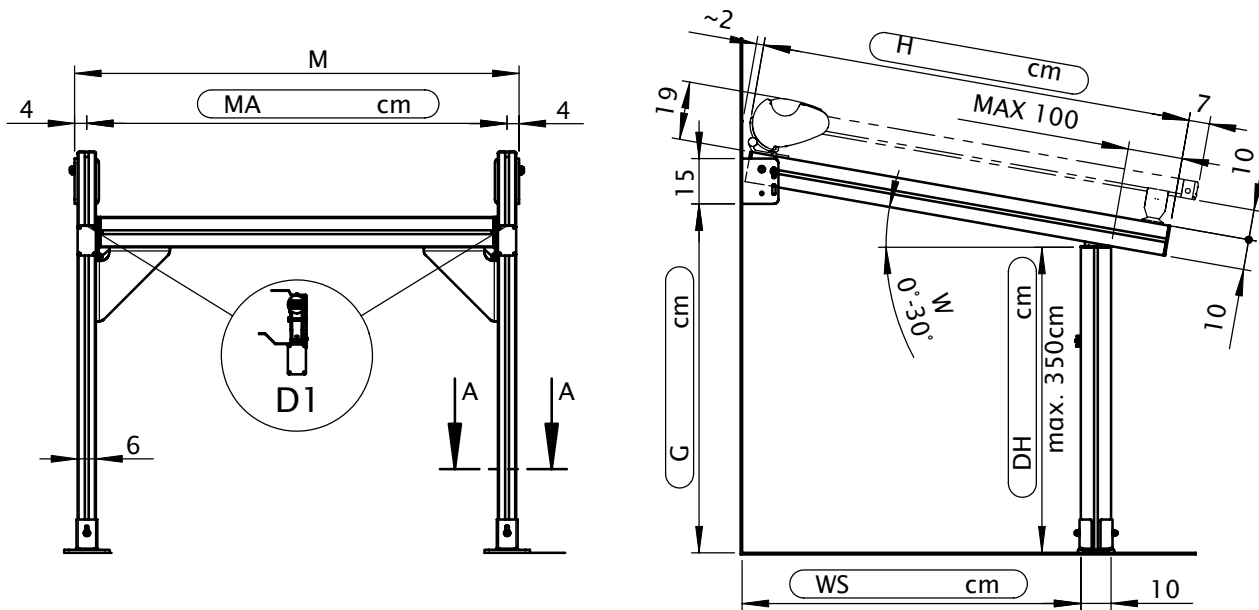
Top and bottom gutters for covering the gaps between cover and tracks at the side of the awning can be supplied on request for single, double and coupling tracks. From an extension of 300 cm they are supplied in sections which can be pushed together during the fixture process.

Front gutter: In addition to the top and bottom gutters, a front gutter to remove rain-water can be ordered if required (see diagram regarding fixture dimensions).

frame colours		
	RAL 9016 traffic white	•
	RAL 8019 grey brown	•
	RAL 9006 metallic aluminium	•
	non-standard RAL colour	○

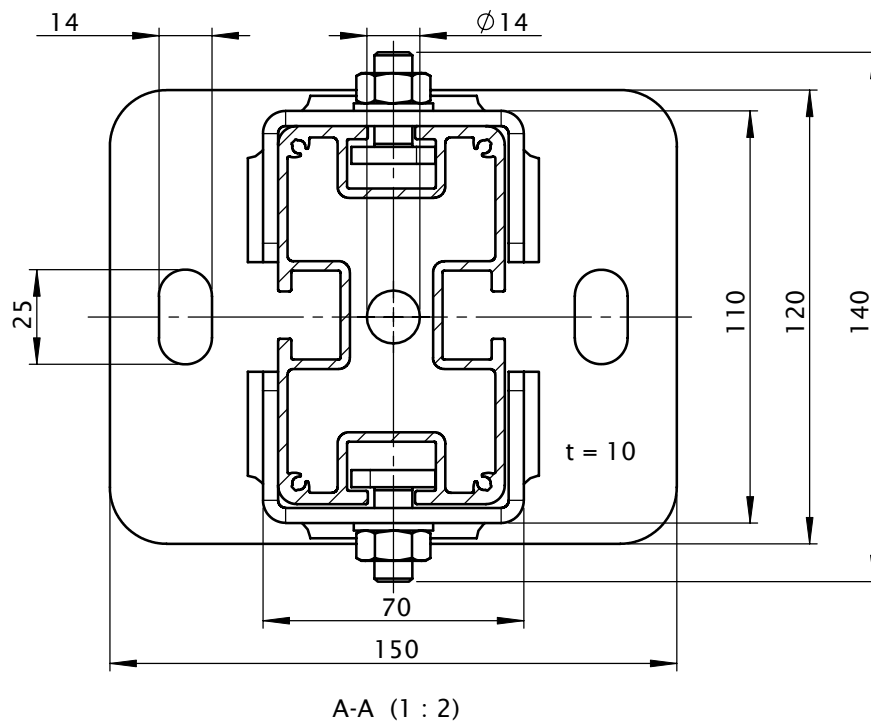
**fixture dimensions**

Dimensions single unit



dimensions in cm

**Footplate: cross section A-A, dimensions single unit**

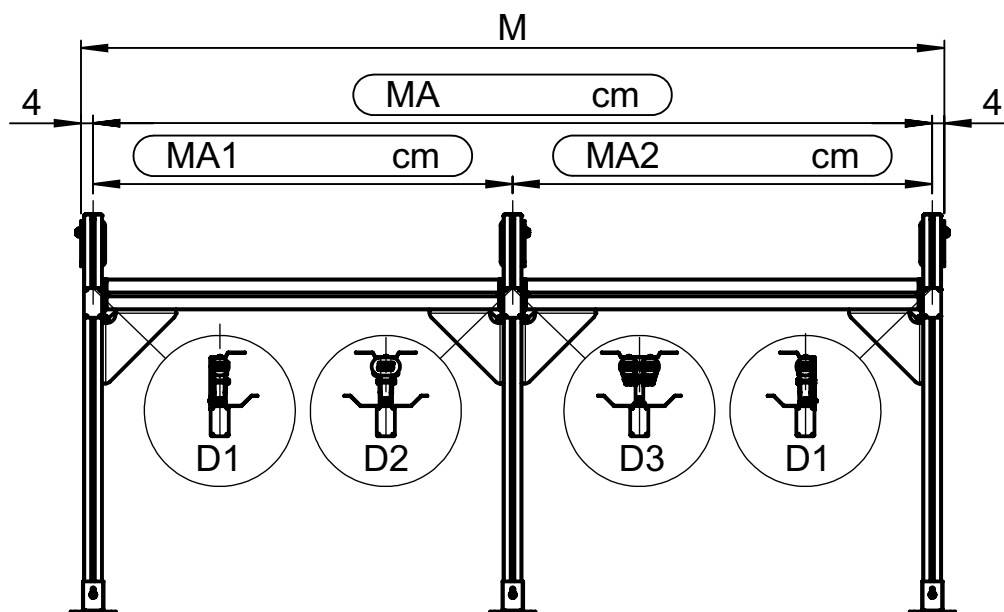


dimensions in mm

- M = overall awning width
- MA = awning width between fixture points = fixture width = order width
- H = extension
- W = pitch
- G = fixture height
- DH = headroom
- WS = distance of support to wall
- D1 = top/bottom gutter for single guide track (optional)

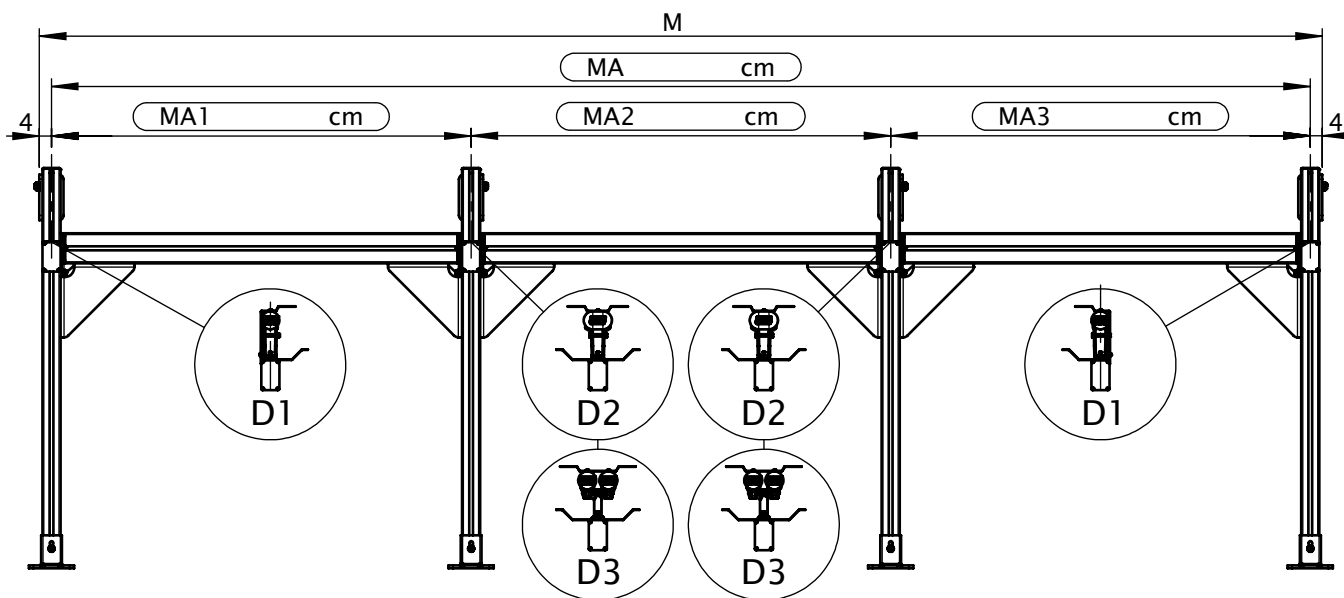
## fixture dimensions

Dimensions of 2 coupled units



dimensions in cm

Dimensions of 3 coupled units

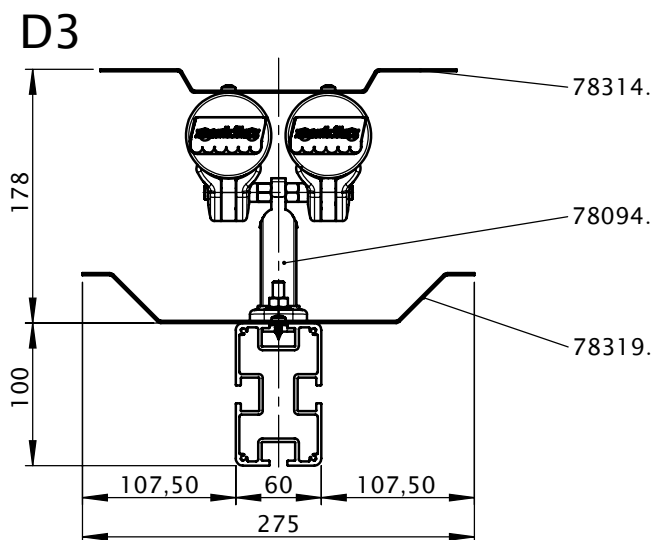
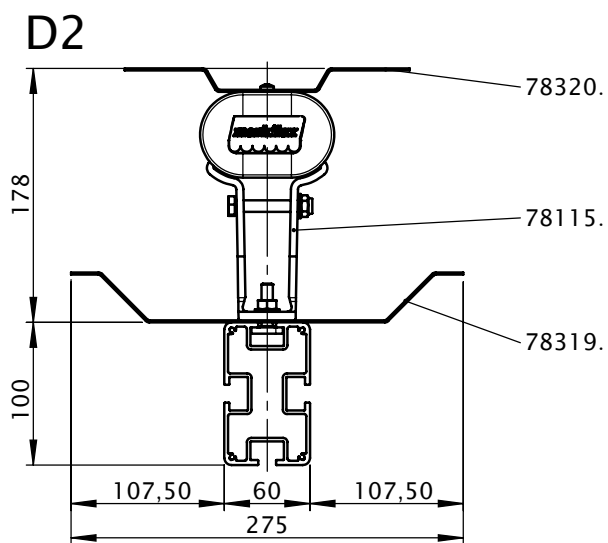
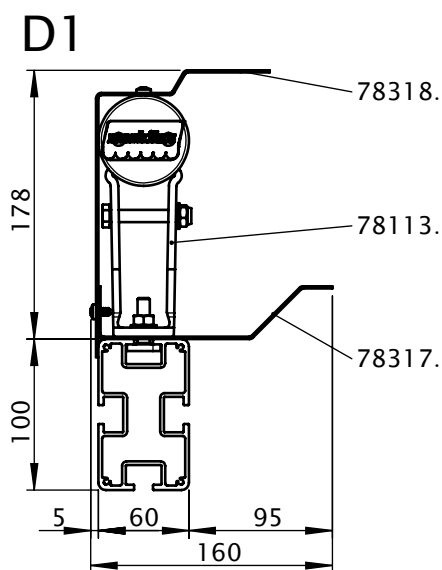


dimensions in cm

- M = overall awning width
- MA = awning width between fixture points = fixture width
- MA1 = 1st section of the dimension between fixture points
- MA2 = 2nd section of the dimension between fixture points
- MA3 = 3rd section of the dimension between fixture points
- D1 = top/bottom gutter for single guide track (optional)
- D2 = top/bottom gutter for coupling guide track (optional)
- D3 = top/bottom gutter for double guide track (optional)



**fixture dimensions**

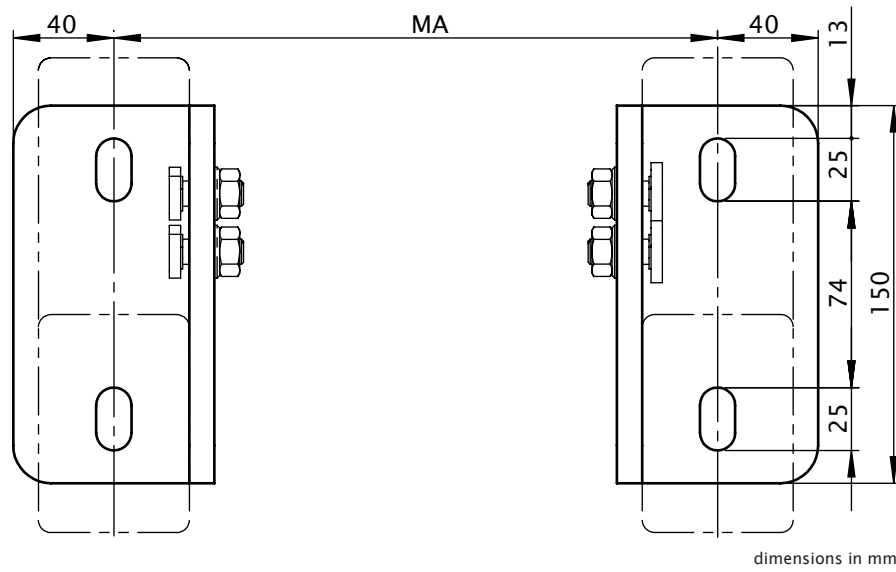


dimensions in mm

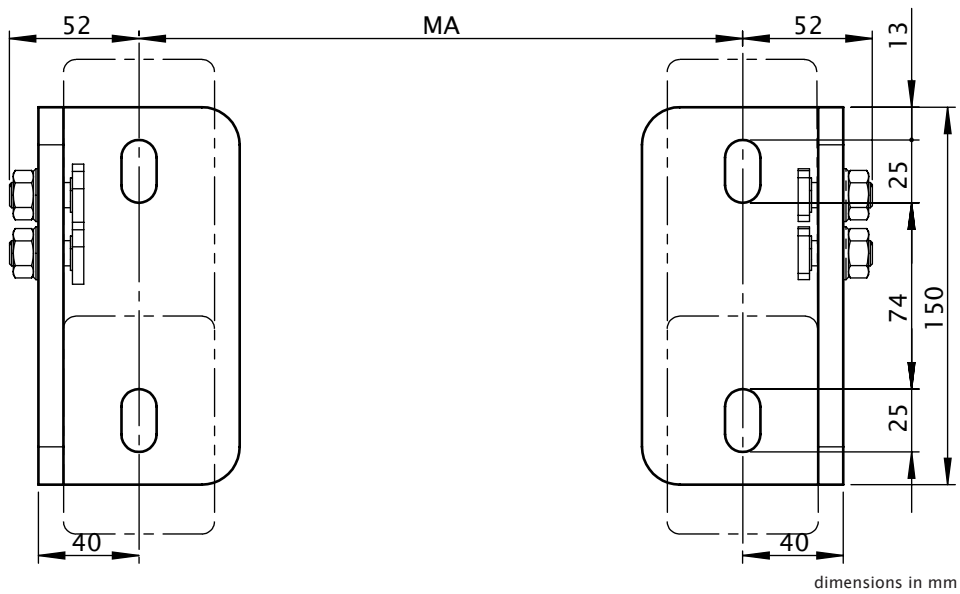
- D1 = top/bottom gutter for single guide track (optional)
- 78318.: top guttercover for single guide track (optional)
- 78317.: bottom gutter for single guide track (optional)
- 78113.: up to an extension of 4000 mm 1 pc per track, from an extension of 4001 mm 2 pcs per track
- D2 = top/bottom gutter for coupling guide track (optional)
- 78320.: top gutter for coupling guide track
- 78115.: up to an extension of 4000 mm 1 pc per track, from an extension of 4001 mm 2 pcs per track
- 78319.: bottom gutter for coupling track
- D3 = top/bottom gutter for double guide track (optional)
- 78314.: top gutter for 2 single guide tracks
- 78094.: double track bracket assembly markilux 8000

## assembly dimensions wall bracket

fixture of the angled wall bracket inside



fixture of the angled wall bracket outside

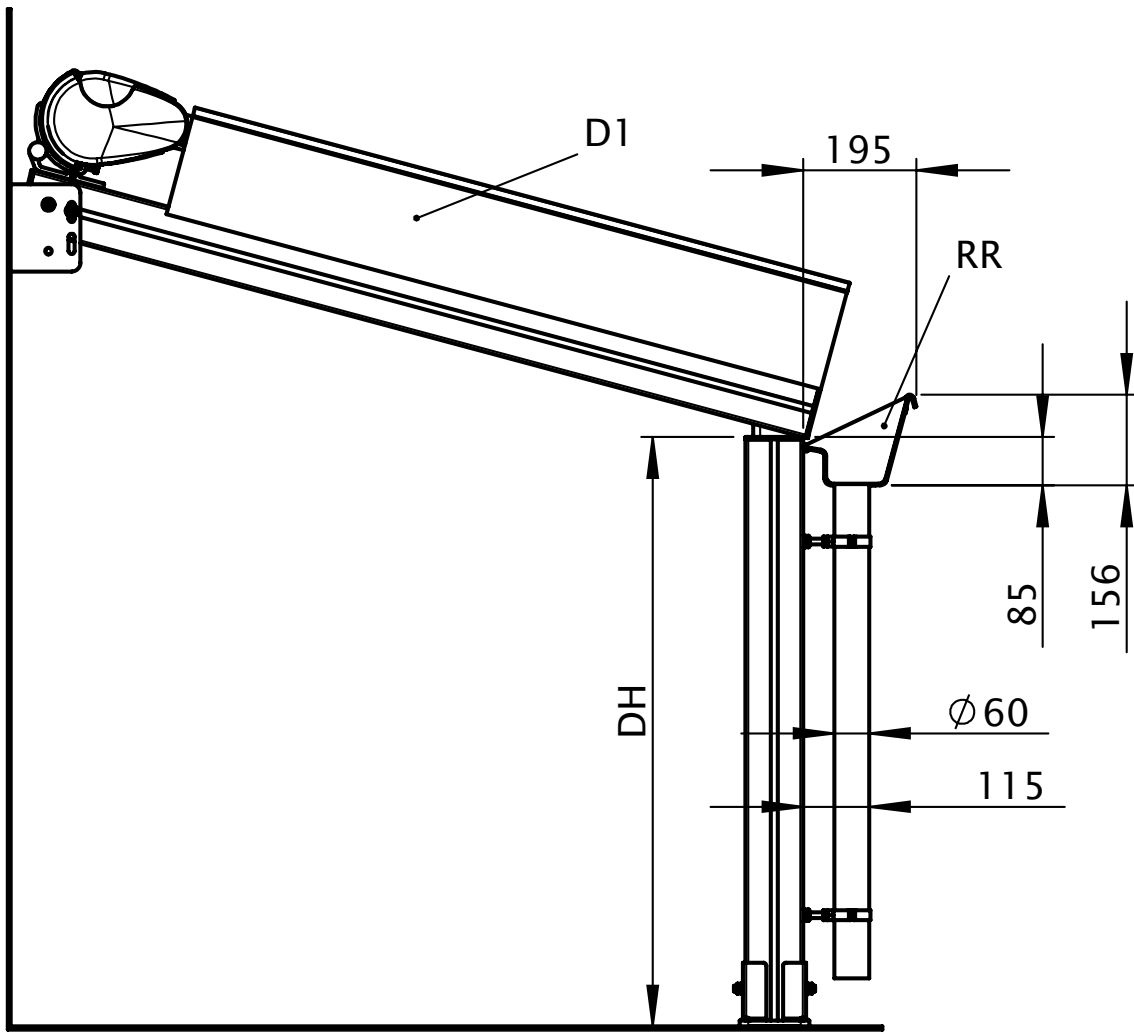


MA = awning width between fixture points = order width

# markilux RS 8000

## fixture dimensions

RS 8000 with gutter system (optional)



dimensions in mm

D1 = top/bottom gutter for single guide track (optional)  
DH = headroom  
RR = front gutter

**По вопросам продаж и поддержки обращайтесь:**

Архангельск (8182)63-90-72	Краснодар (861)203-40-90	Рязань (4912)46-61-64
Астана (7172)727-132	Красноярск (391)204-63-61	Самара (846)206-03-16
Белгород (4722)40-23-64	Курск (4712)77-13-04	Санкт-Петербург (812)309-46-40
Брянск (4832)59-03-52	Липецк (4742)52-20-81	Саратов (845)249-38-78
Владивосток (423)249-28-31	Магнитогорск (3519)55-03-13	Смоленск (4812)29-41-54
Волгоград (844)278-03-48	Москва (495)268-04-70	Сочи (862)225-72-31
Вологда (8172)26-41-59	Мурманск (8152)59-64-93	Ставрополь (8652)20-65-13
Воронеж (473)204-51-73	Набережные Челны (8552)20-53-41	Тверь (4822)63-31-35
Екатеринбург (343)384-55-89	Нижний Новгород (831)429-08-12	Томск (3822)98-41-53
Иваново (4932)77-34-06	Новокузнецк (3843)20-46-81	Тула (4872)74-02-29
Ижевск (3412)26-03-58	Новосибирск (383)227-86-73	Тюмень (3452)66-21-18
Казань (843)206-01-48	Орел (4862)44-53-42	Ульяновск (8422)24-23-59
Калининград (4012)72-03-81	Оренбург (3532)37-68-04	Уфа (347)229-48-12
Калуга (4842)92-23-67	Пенза (8412)22-31-16	Челябинск (351)202-03-61
Кемерово (3842)65-04-62	Пермь (342)205-81-47	Череповец (8202)49-02-64
Киров (8332)68-02-04	Ростов-на-Дону (863)308-18-15	Ярославль (4852)69-52-93

**Единый адрес:** [mxr@nt-rt.ru](mailto:mxr@nt-rt.ru) **Веб-сайт:** [www.markilux.nt-rt.ru](http://www.markilux.nt-rt.ru)