

По вопросам продаж и поддержки обращайтесь:

Архангельск (8182)63-90-72	Краснодар (861)203-40-90	Рязань (4912)46-61-64
Астана (7172)727-132	Красноярск (391)204-63-61	Самара (846)206-03-16
Белгород (4722)40-23-64	Курск (4712)77-13-04	Санкт-Петербург (812)309-46-40
Брянск (4832)59-03-52	Липецк (4742)52-20-81	Саратов (845)249-38-78
Владивосток (423)249-28-31	Магнитогорск (3519)55-03-13	Смоленск (4812)29-41-54
Волгоград (844)278-03-48	Москва (495)268-04-70	Сочи (862)225-72-31
Вологда (8172)26-41-59	Мурманск (8152)59-64-93	Ставрополь (8652)20-65-13
Воронеж (473)204-51-73	Набережные Челны (8552)20-53-41	Тверь (4822)63-31-35
Екатеринбург (343)384-55-89	Нижний Новгород (831)429-08-12	Томск (3822)98-41-53
Иваново (4932)77-34-06	Новокузнецк (3843)20-46-81	Тула (4872)74-02-29
Ижевск (3412)26-03-58	Новосибирск (383)227-86-73	Тюмень (3452)66-21-18
Казань (843)206-01-48	Орел (4862)44-53-42	Ульяновск (8422)24-23-59
Калининград (4012)72-03-81	Оренбург (3532)37-68-04	Уфа (347)229-48-12
Калуга (4842)92-23-67	Пенза (8412)22-31-16	Челябинск (351)202-03-61
Кемерово (3842)65-04-62	Пермь (342)205-81-47	Череповец (8202)49-02-64
Киров (8332)68-02-04	Ростов-на-Дону (863)308-18-15	Ярославль (4852)69-52-93

Единый адрес: mxr@nt-rt.ru **Веб-сайт:** www.markilux.nt-rt.ru

Открытые маркизы 930 markilux

safe · timeless · beautiful



markilux 930 swing

Open folding-arm awning with unique pivoting mechanism



markilux 930 swing

Open folding-arm awning with unique pivoting mechanism

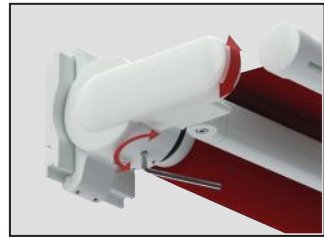
- design features**
- Elegant and trendy. Design down to the last detail.
 - Created by renowned designers.
 - Inconspicuous appearance suited to any building façade
 - When the awning is closed the side cheek and front profile become one
 - awning covers made from acrylic yarns or sunsilk SNC with self-cleaning effect.

- technical highlights**
- Ideal combination of low construction height and stiff 85 mm roller tube gives optimum winding characteristics
 - continuously variable pitch adjustment up to 80°
 - With novel pivoting mechanism, under patent
 - The small construction height and the steep pitch provide ideal sun protection even when the sun is low in the sky
 - Folding arms with perfected power transference by means of a round, steel-link chain.

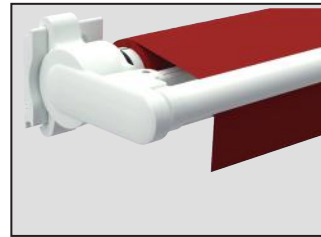
- optional accessories**
- An easily connected sun and wind sensor provides intelligent control options and essential protection.
 - In the case of manual operation ease of use is ensured with the spring-assisted gearbox.
 - Hard-wired motor drive (optionally with automatic controls) for simple, relaxed operation.
 - Radio-controlled motor with handheld transmitter for ease of operation - and ergonomically crafted for ease of use.

- The panel joints of the awning cover are ultrasonically bonded to give a better appearance without bothersome stitching
- Manual operation includes a markilux stainless steel winding handle - quality to get to grips with
- For long-lasting attractiveness: a powder-coated frame
- A straight or wavy valance improves the appearance of the awning
- The greater upper to lower arm length ratio gives high lateral awning stability
- Folding arms with drop-forged, aluminium joints and Teflon-coated bronze bushes to ensure high stability and longevity
- In the case of wide awnings slight sag in the roller tube and front profile should be expected
- The awning is available in non-standard RAL colours

Folding-arm awning markilux 930 swing



pitch adjustment is possible from 5° to 80°. The awning is always horizontal - as shown - when retracted



Face fixture



side view showing gearbox eye for manual operation (standard)



Face fixture



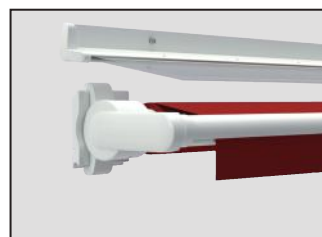
during extension at a pitch of 45°



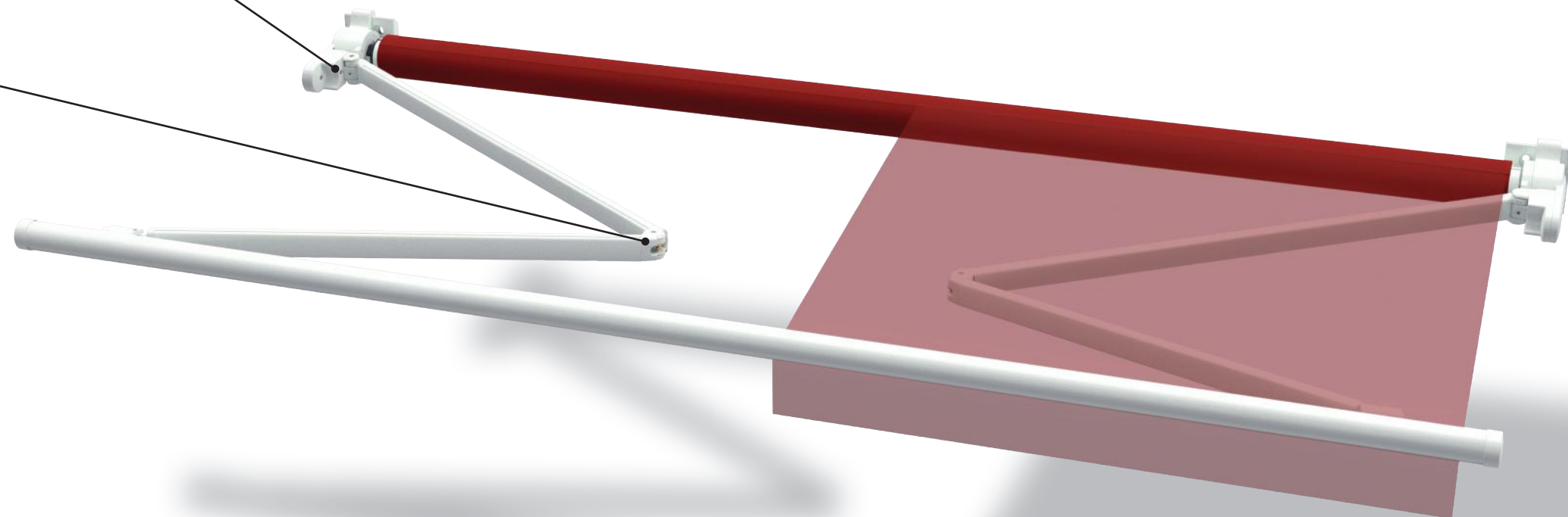
during extension at a pitch of 80°



folding arm with round, steel-link chain



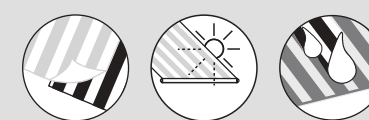
markilux 930 with system coverboard (optional)



Standard RAL colours:



standard:



optional accessories:



safe · timeless · beautiful



markilux 930 swing

Open folding-arm awning with unique pivoting mechanism



dimensions and configuration options

extension	Overall blind width						minimum width motor ¹⁰⁾		minimum width manual operation ¹⁰⁾	
	250 165-250	300 251-300	350 301-350	400 351-400	450 401-450	500 451-500	Standard	Bespoke arms	Standard	Bespoke arms
150	28)						178	165	178	165
200	28)						228	215	228	215
250		28)					278	265	278	265
300			28)				328	315	328	315

 = available, 2 folding arms

dimensions in cm

10) the dimensions are only valid for fixture without spreader plates (2 folding arms).

28) Please note the minimum widths!

Due to the compact awning construction and depending on the width and the arm length, contact between cover and folding arms may occur during extension and retraction. This does not affect the functionality or longevity of the awning.

operation type	
manual operation with st. steel winding handle	●
Servo-assisted operation	○
external radio-controlled receiver for the motor	○
motor	○
Shadeplus	
manual operation	-
radio-controlled motor	-
motor	-
Lighting	
Halogen Spotlights	-
Fluorescent lighting	-
covers	
acrylic 34 (fabric series 341xx-347xx)	●
sunsilk SNC (fabric series 324xx/329xx)	●
signature (fabric series 369xx)	●
transilk FR (fabric series 319xx)	-
transolair (fabric series 339xx)	-
widely woven acrylic (fabric series 349xx)	-
perla FR (fabric series 374xx/379xx)	○
Soltis 92	-
PVC fabric	-
miscellaneous	
Coverboard	-
Sytem coverboard	○
wall sealing profile	-
Pitch adjustment gear	-
Insertable side blind	-
sun and wind sensor	○
Valance	● ¹
Infrared heater	○
Vibrabox / Sunis sun sensor	○
Coupled units (please refer to fixture)	
coupled unit 2 fields	-
coupled unit 3 fields	-
junction roller	-
one-piece cover (on request)	-







- = fitted as standard
- = optional accessory
- = not available
- ¹ = valance shape 1 (please refer to the section "Fabric Collection")

Definition of extension: The extension is measured with the awning extended at a pitch of approx. 15° from the wall over the cover to the leading edge of the front profile. The extension tolerance is - 40mm / + 40mm

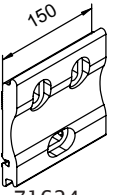
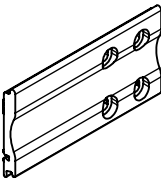
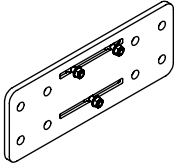
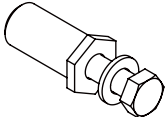
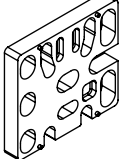
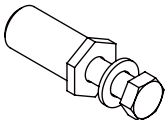
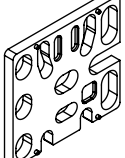
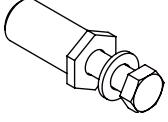
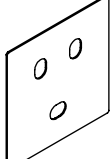
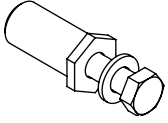
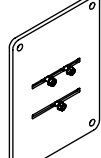
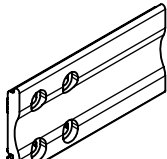
In the case of manual operation, assume approx. 16 winding handle revolutions per metre of awning extension.

Extension when using a motor takes approximately 12 seconds per metre.

Coupled folding-arm awnings are not available.

frame colours		
	RAL 9016 traffic white	●
	RAL 9006 metallic aluminium	●
	5204 nano-anthracite metallic	●
	RAL 8019 grey brown	○
	RAL 1015 light ivory	○
	non-standard RAL colour	○

fixings and accessories

 <p>150 71624.</p>	<p>Face/Top fixture bracket 150mm</p>	 <p>70600.</p>	<p>Face fixture bracket 300mm "right"</p>
 <p>75326.</p>	<p>Component assembly spreader plate A 160x430x12mm</p>	 <p>753891</p>	<p>Reduction assembly M 16 - M 12 / SW 27 50mm length (please refer to "Technical Information")</p>
 <p>716331</p>	<p>Spacer plate face/top fixture 136x150x20mm N.B! stack to a max. of 200 mm</p>	 <p>754901</p>	<p>Reduction assembly M 10 - M 10 / SW 27 50mm length (please refer to "Technical Information")</p>
 <p>71644.</p>	<p>Spacer plate face/top fixture 136x150x12mm</p>	 <p>754911</p>	<p>Reduction assembly M 12 - M 10 / SW 27 50mm length (please refer to "Technical Information")</p>
 <p>71636.</p>	<p>Cover plate for external insulation 190x190x2mm</p>	 <p>754921</p>	<p>Reduction assembly M 16 - M 10 / SW 27 50mm length (please refer to "Technical Information")</p>
 <p>75325.</p>	<p>Component assembly spreader plate B 300x400x12mm</p>		
 <p>70617.</p>	<p>Face fixture bracket 300mm "left"</p>		

. = Please insert the RAL No.
(please refer to the section on "Coatings")

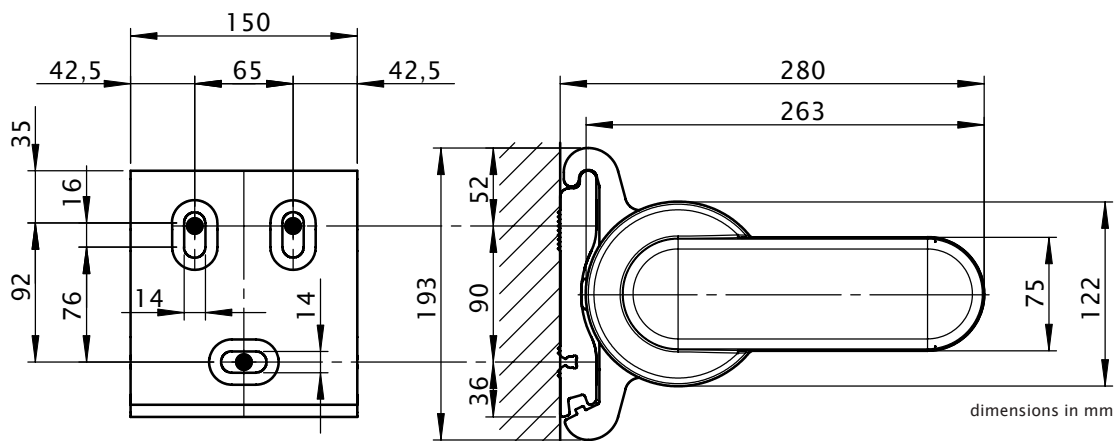
Face fixture

Pull-out force [N=Newton] per fixture point according to EN 13561, wind resistance class 2

H [cm]	compression-proof substrate						non compression-proof substrate					
	M [cm]						M [cm]					
	250	300	350	400	450	500	250	300	350	400	450	500
FB [N]												
150	384	440	496	553	609	666	494	567	640	713	785	858
200	650	742	834	926	1018	1110	838	957	1075	1194	1312	1431
250	---	1068	1204	1339	1475	1611	---	1376	1551	1726	1901	2077
300	---	---	1651	1839	2027	2215	---	---	2128	2370	2612	2855
HT BHT	2 150 mm						2 150 mm					
BM	6						6					

The pull-out force refers to the vertical centre to centre measurement between the fixture points of 90 mm. If this measurement is reduced, the pull-out force increases by 14% in the case of **compression-proof** substrates and by 19% in the case of **non-compression-proof** substrates.

M = overall awning width
 H = extension
 FB = pull-out force per fixing point
 HT | BHT = bracket quantity | width
 BM = no. of fixing points



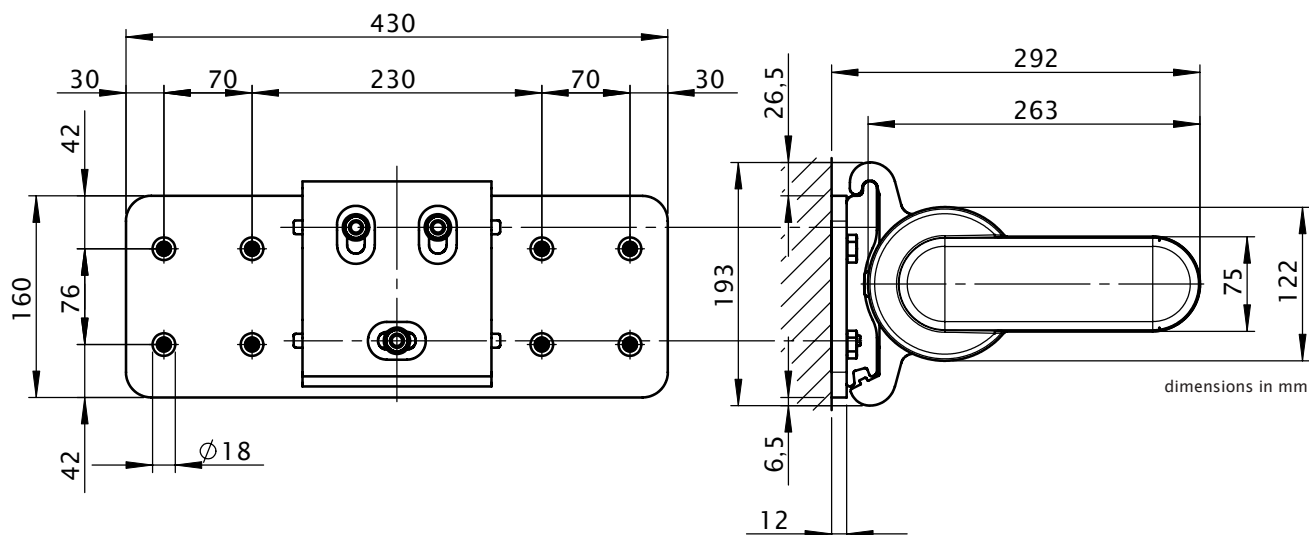
Face fixture with spreader plate A

Pull-out force [N=Newton] per fixture point according to EN 13561, wind resistance class 2

H [cm]	compression-proof substrate						non compression-proof substrate					
	M [cm]						M [cm]					
	250	300	350	400	450	500	250	300	350	400	450	500
	FB [N]						FB [N]					
150	209	239	270	301	332	362	297	340	384	427	471	515
200	353	403	453	503	552	602	502	572	643	714	785	856
250	---	578	652	725	799	872	---	822	926	1031	1135	1240
300	---	---	893	995	1096	1198	---	---	1269	1413	1558	1702
HT BHT	2 150 mm						2 150 mm					
BP	2						2					
BM	16						16					

The pull-out force refers to the vertical centre to centre measurement between the fixture points of 76 mm. In the case of spreader plates a washer conforming to DIN 9021 must be used.

- M = overall awning width
- H = extension
- FB = pull-out force per fixing point
- HT | BHT = bracket quantity | width
- BP = no. of spreader plates
- BM = no. of fixing points



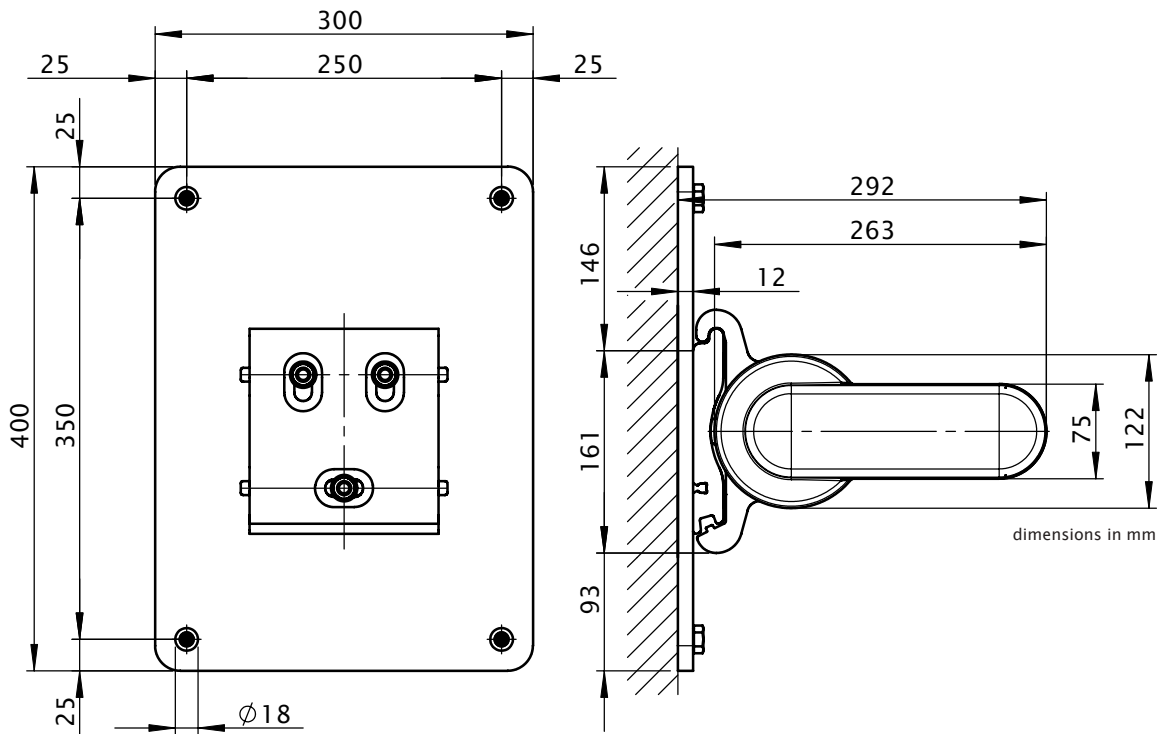
Face fixture with spreader plate B

Pull-out force [N=Newton] per fixture point according to EN 13561, wind resistance class 2

H [cm]	compression-proof substrate						non compression-proof substrate					
	M [cm]						M [cm]					
	250	300	350	400	450	500	250	300	350	400	450	500
FB [N]												
150	124	142	160	178	196	214	129	148	167	186	205	224
200	209	238	268	297	327	356	218	249	279	310	341	372
250	---	342	386	429	473	516	---	357	402	448	493	538
300	---	---	528	589	649	709	---	---	551	614	677	739
HT BHT	2 150 mm						2 150 mm					
BP	2						2					
BM	8						8					

The pull-out force refers to the vertical centre to centre measurement between the fixture points of 350 mm. In the case of spreader plates a washer conforming to DIN 9021 must be used.

- M = overall awning width
- H = extension
- FB = pull-out force per fixing point
- HT | BHT = bracket quantity | width
- BP = no. of spreader plates
- BM = no. of fixing points



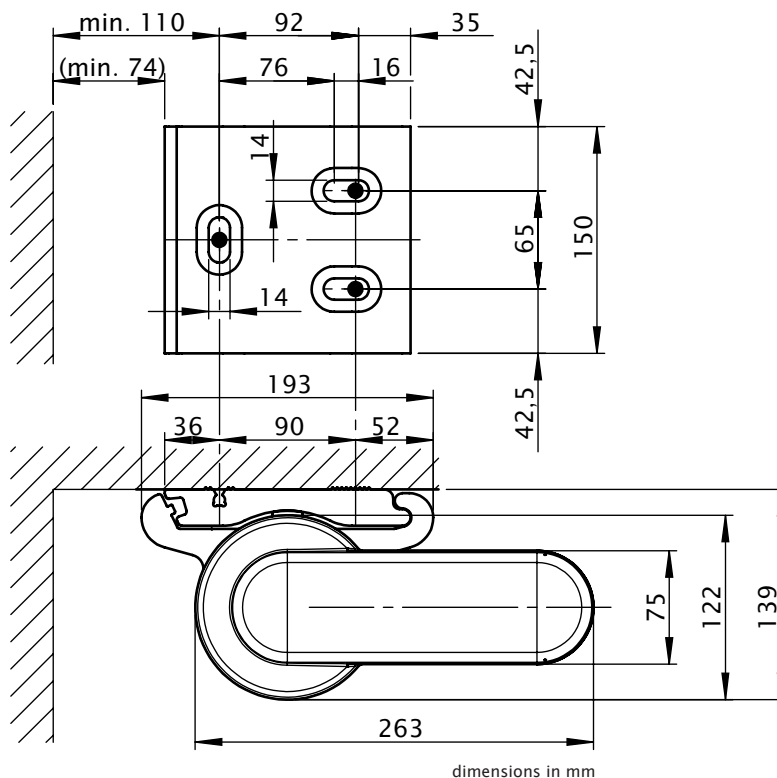
Top fixture

Pull-out force [N=Newton] per fixture point according to EN 13561, wind resistance class 2

H [cm]	compression-proof substrate						non compression-proof substrate					
	M [cm]						M [cm]					
	250	300	350	400	450	500	250	300	350	400	450	500
150	446	515	584	653	722	791	557	642	727	813	898	983
200	713	817	922	1026	1131	1235	901	1032	1163	1294	1425	1556
250	---	1143	1291	1439	1588	1736	---	1451	1639	1826	2014	2202
300	---	---	1738	1939	2139	2340	---	---	2215	2470	2725	2980
HT BHT	2 150 mm						2 150 mm					
BM	8						8					

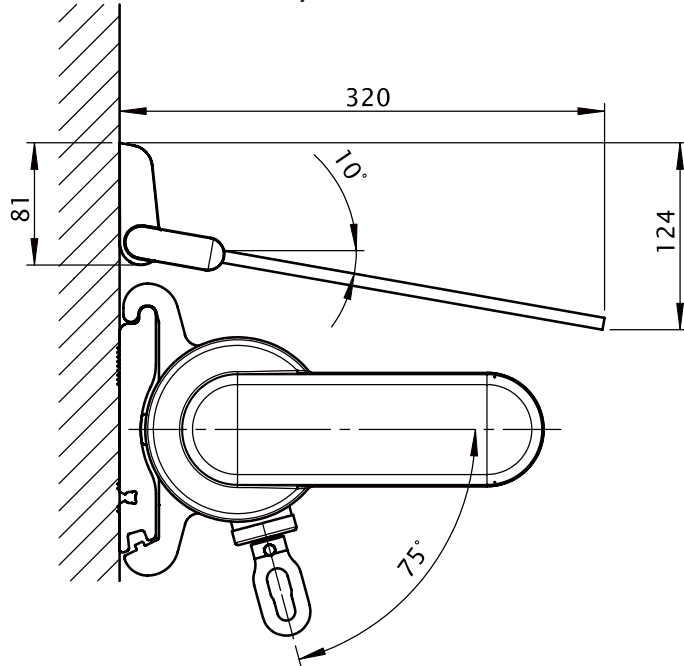
The pull-out force refers to the horizontal centre to centre measurement between the fixture points of 80 mm.

M = overall awning width
 H = extension
 FB = pull-out force per fixing point
 HT | BHT = bracket quantity | width
 BM = no. of fixing points



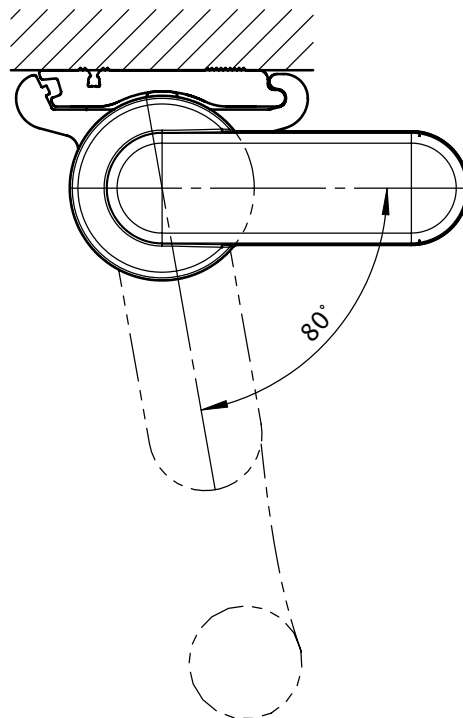
System coverboard and the range within which the pitch can be set

Face fixture with system coverboard



dimensions in mm

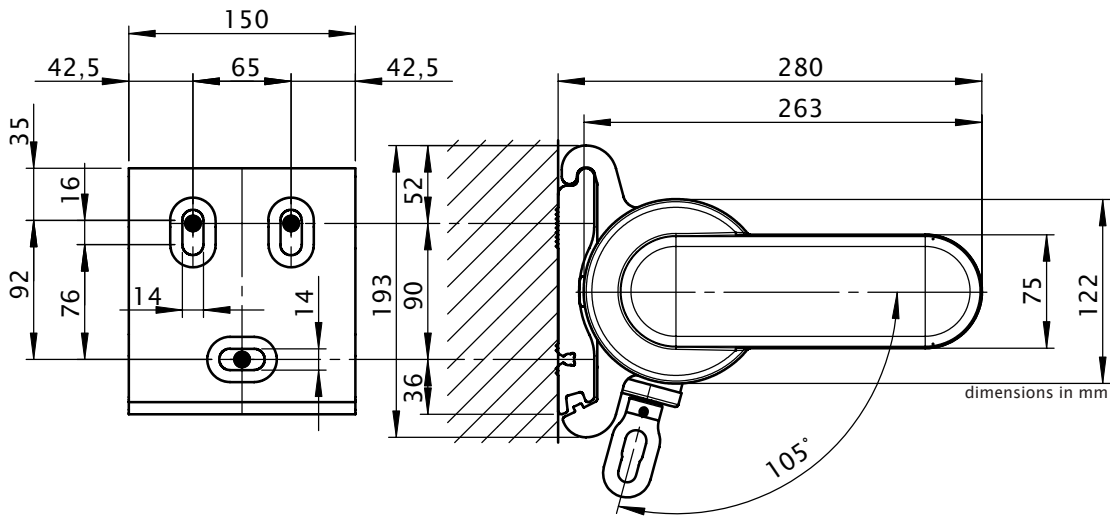
range within pitch can be set



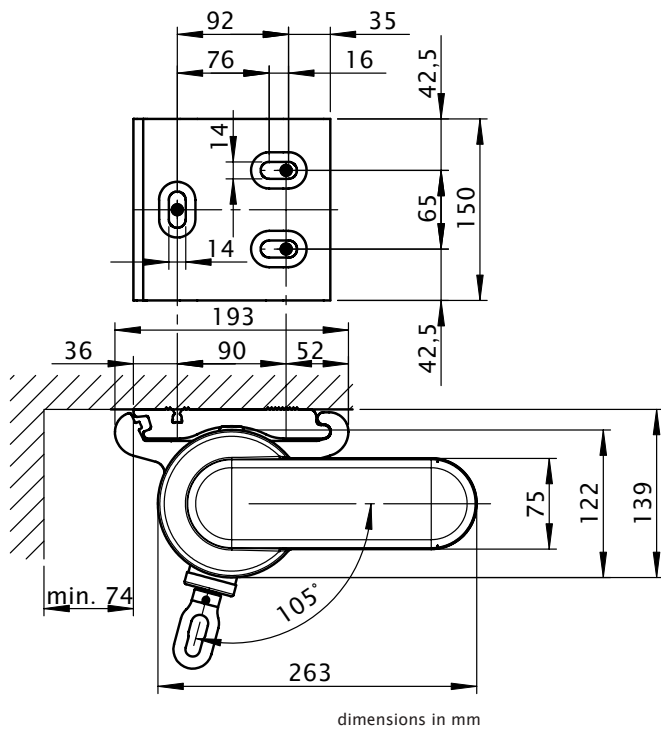
markilux 930 swing

Manual operation of the awning from the rear (e.g. on a balcony)

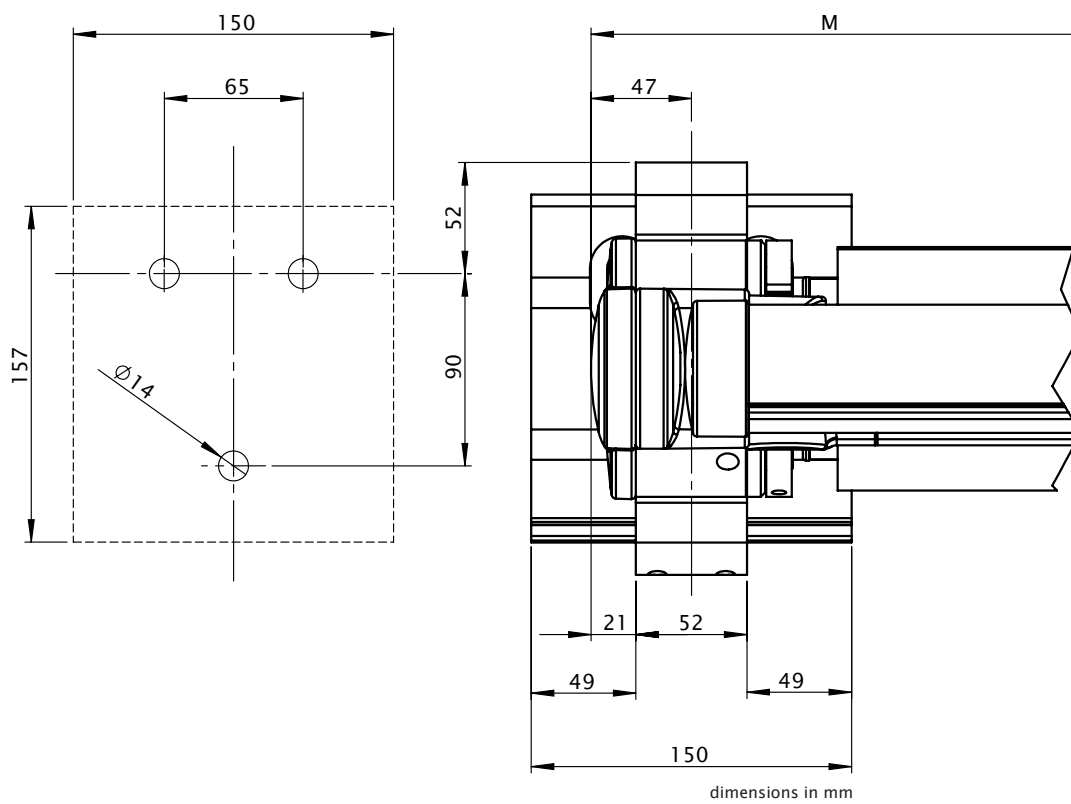
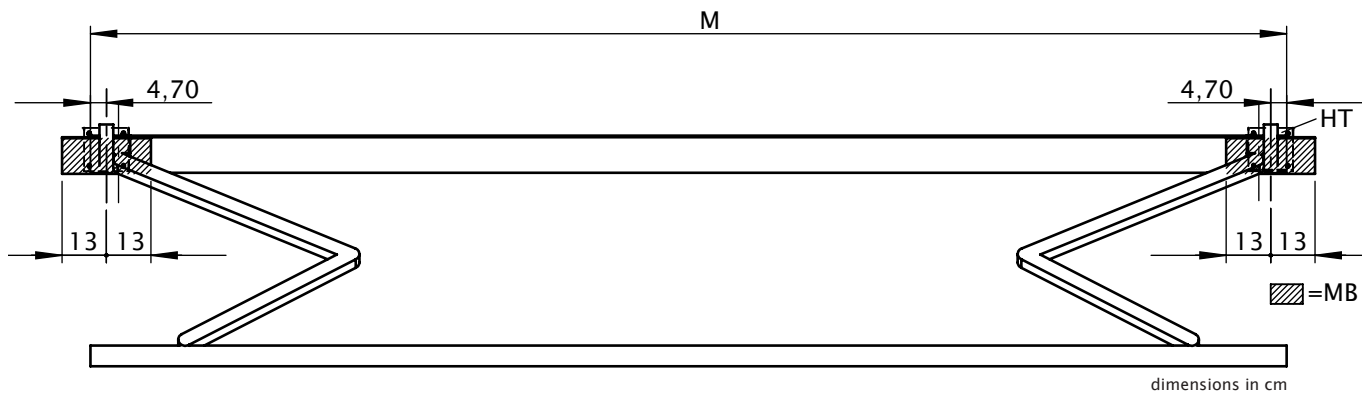
Face fixture with manual operation from behind the awning (optional)



Top fixture with manual operation from behind the awning (optional)



Bracket range for awnings with 2 folding arms



M = overall awning width
 HT = bracket
 MB = range for bracket fixture

По вопросам продаж и поддержки обращайтесь:

Архангельск (8182)63-90-72	Краснодар (861)203-40-90	Рязань (4912)46-61-64
Астана (7172)727-132	Красноярск (391)204-63-61	Самара (846)206-03-16
Белгород (4722)40-23-64	Курск (4712)77-13-04	Санкт-Петербург (812)309-46-40
Брянск (4832)59-03-52	Липецк (4742)52-20-81	Саратов (845)249-38-78
Владивосток (423)249-28-31	Магнитогорск (3519)55-03-13	Смоленск (4812)29-41-54
Волгоград (844)278-03-48	Москва (495)268-04-70	Сочи (862)225-72-31
Вологда (8172)26-41-59	Мурманск (8152)59-64-93	Ставрополь (8652)20-65-13
Воронеж (473)204-51-73	Набережные Челны (8552)20-53-41	Тверь (4822)63-31-35
Екатеринбург (343)384-55-89	Нижний Новгород (831)429-08-12	Томск (3822)98-41-53
Иваново (4932)77-34-06	Новокузнецк (3843)20-46-81	Тула (4872)74-02-29
Ижевск (3412)26-03-58	Новосибирск (383)227-86-73	Тюмень (3452)66-21-18
Казань (843)206-01-48	Орел (4862)44-53-42	Ульяновск (8422)24-23-59
Калининград (4012)72-03-81	Оренбург (3532)37-68-04	Уфа (347)229-48-12
Калуга (4842)92-23-67	Пенза (8412)22-31-16	Челябинск (351)202-03-61
Кемерово (3842)65-04-62	Пермь (342)205-81-47	Череповец (8202)49-02-64
Киров (8332)68-02-04	Ростов-на-Дону (863)308-18-15	Ярославль (4852)69-52-93

Единый адрес: mxr@nt-rt.ru **Веб-сайт:** www.markilux.nt-rt.ru