

По вопросам продаж и поддержки обращайтесь:

Архангельск (8182)63-90-72	Краснодар (861)203-40-90	Рязань (4912)46-61-64
Астана (7172)727-132	Красноярск (391)204-63-61	Самара (846)206-03-16
Белгород (4722)40-23-64	Курск (4712)77-13-04	Санкт-Петербург (812)309-46-40
Брянск (4832)59-03-52	Липецк (4742)52-20-81	Саратов (845)249-38-78
Владивосток (423)249-28-31	Магнитогорск (3519)55-03-13	Смоленск (4812)29-41-54
Волгоград (844)278-03-48	Москва (495)268-04-70	Сочи (862)225-72-31
Вологда (8172)26-41-59	Мурманск (8152)59-64-93	Ставрополь (8652)20-65-13
Воронеж (473)204-51-73	Набережные Челны (8552)20-53-41	Тверь (4822)63-31-35
Екатеринбург (343)384-55-89	Нижний Новгород (831)429-08-12	Томск (3822)98-41-53
Иваново (4932)77-34-06	Новокузнецк (3843)20-46-81	Тула (4872)74-02-29
Ижевск (3412)26-03-58	Новосибирск (383)227-86-73	Тюмень (3452)66-21-18
Казань (843)206-01-48	Орел (4862)44-53-42	Ульяновск (8422)24-23-59
Калининград (4012)72-03-81	Оренбург (3532)37-68-04	Уфа (347)229-48-12
Калуга (4842)92-23-67	Пенза (8412)22-31-16	Челябинск (351)202-03-61
Кемерово (3842)65-04-62	Пермь (342)205-81-47	Череповец (8202)49-02-64
Киров (8332)68-02-04	Ростов-на-Дону (863)308-18-15	Ярославль (4852)69-52-93

Единый адрес: mxr@nt-rt.ru **Веб-сайт:** www.markilux.nt-rt.ru

Маркизы для зимнего сада 8500 markilux

safe · timeless · beautiful



markilux 8500

The conservatory awning with indented guide tracks for bevel-edged conservatories



markilux 8500

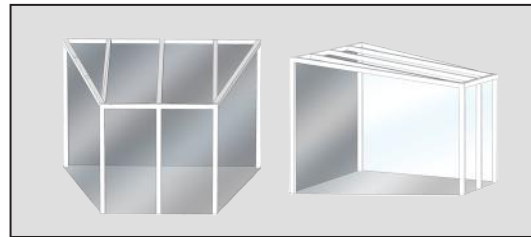
The conservatory awning with indented guide tracks for bevel-edged conservatories

- design features**
- the cassette profile, the guide tracks and the front profile complement one another perfectly and result in an elegant appearance down to the last detail.
 - when retracted the cover is protected from the weather by the cassette, which encloses it completely.
 - attractive, rounded end caps complete the appearance of this very compact cassette.
 - for long-lasting attractiveness the awning has been powder coated.
 - awning covers made from acrylic fabric or sunsilk snc with self-cleaning effect.

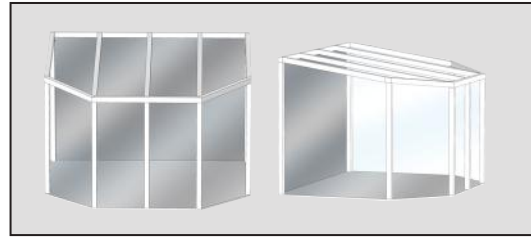
- technical highlights**
- exterior solar shading so the heat does not get into the conservatory in the first place
 - indented guide tracks - for use on hipped roofs
 - guide tracks can be indented up to 120 cm - if the system is asymmetrical the difference may not exceed 40 cm
 - guide tracks can overhang the outermost bracket by up to 100 cm. giving even more protection from the sun

- optional accessories**
- radio-controlled motor with remote control for comfortable operation. markilux remote control with ergonomic design.
 - wall sealing profile to cover the gap between awning and wall.
 - markilux infra-red heater in a compact aluminium housing. Cozy warmth without warming up phase within an area of approximately 9-12 m².
 - awning available in non-standard RAL colours
 - an easily installed, radio control sun and wind sensor guarantees comfort and a degree of protection - even in your absence.

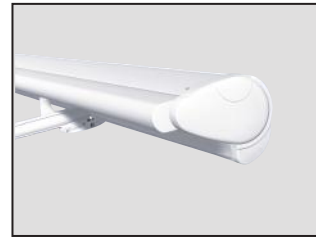
- Stable supporting cassette with maintenance covers for easy access · Sturdy front profile made of extruded aluminium with double keyway for cover fixture giving high safety and optimum rain water drainage · the cassette with brush-seal protects the cover in retracted condition against the ingress of dirt · A highly comprehensive range of brackets is available for awning fixture · Brackets with patented clip-on system for easy and smooth awning fixture · Motor with electronic cut-off mechanism to prevent overheating and damage if the awning is obstructed. (Not in the case of a radio-controlled motor) · Permanently high cover tension provided by two special gas-piston modules operating independently of one another · The highly tear-resistant drive belts ensure that the awning runs quietly · Belt guide rollers with maintenance-free bearings in Teflon-coated bushes for long-lasting smooth operation · Awning pre-assembled and tested completely at the factory · individual, bespoke manufacture to order so that the shading fits your conservatory or patio canopy perfectly · Awning covers stitched together using 100 % UV-resistant sewing thread on top of the cover



sample conservatory shape



sample conservatory shape



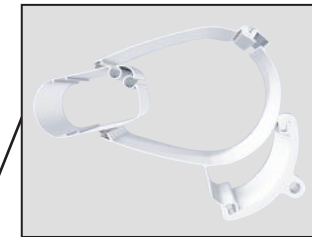
side view of the cassette



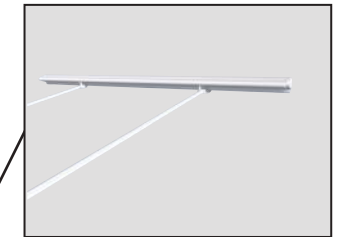
face fixture with swivel option and wall sealing profile (optional)



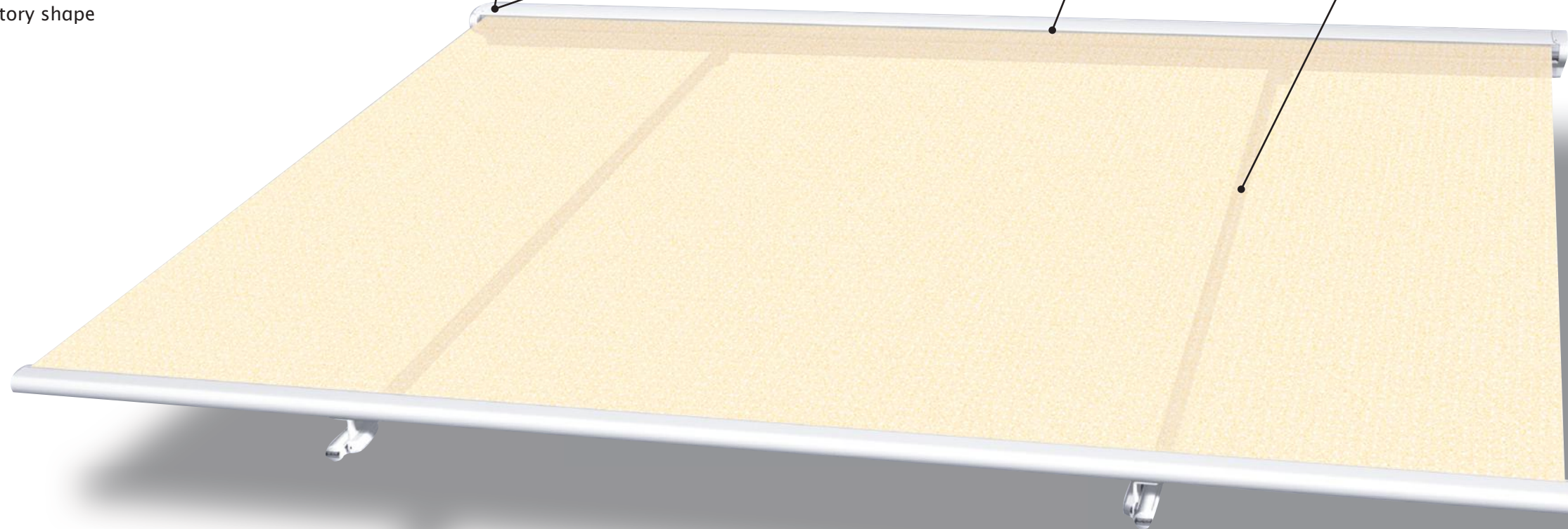
maintenance cover providing access to the motor and the drive belt



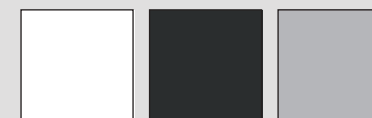
brush seal protects the retracted cover against soiling



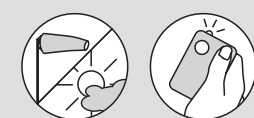
indented guide tracks



RAL colours:



optional accessories:



safe · timeless · beautiful



markilux 8500


The conservatory awning with indented guide tracks for bevel-edged conservatories

markilux

dimensions and configuration options

		overall width										Minimum width standard motor	Minimum width radio-controlled motor	
		150	200	250	300	350	400	450	500	550	600			650
		80-150	151-200	201-250	251-300	301-350	351-400	401-450	451-500	501-550	551-600			601-650
extension	150												80	80
	200												80	80
	250												80	80
	300												80	80
	350												80	80
	400												80	80
	450												80	80
	500												80	80

dimensions in cm

 = available

configuration options	type of shading	
	for exterior use	●
	for interior use	-
	operation type	
	radio-controlled motor	○
	motor	●
	stainless steel winding handle with bayonet fitting	-
	cord pulley system	-
	operating staff	-
	covers	
	acrylic 34 (fabric series 341xx-347xx)	●
	sunsilk SNC (fabric series 324xx/329xx)	●
signature (fabric series 369xx)	●	
oversized acrylic (fabric series 349xx)	-	
transilk FR (fabric series 319xx)	-	
transolair (fabric series 339xx)	-	
perfortex (fabric series 333xx)	●	
perla FR (fabric series 374xx/379xx)	○	
Trevira CS	-	
SOLTIS 92	○	
PVC fabric	-	
miscellaneous		
wall sealing profile	○ ³	
frame system markilux RS 8000	-	
cover profiles for gap between tracks and cover	-	
sun and wind sensor	○	
coupled units		
coupled unit 2 fields	-	
coupled unit 3 fields	-	

- = fitted as standard
- = optional accessory
- = not available
- ³ = wall sealing profile effective up to an awning pitch of 25°

Definition of the order width/fixture width: The order width is a combination of the fixture width i.e. the measurement from fixture point to fixture point on the conservatory and the overhang on either side. The overhang on the left and right may measure between 100 mm and 1200 mm (v. the L and R dimensions in the diagram). The fixture width must be greater than the larger of the two overhangs (left or right). In the case of asymmetrical awnings the difference between the overhang on the left and that on the right may not exceed 400 mm. The tolerance in the fixture width is +0 mm / -20 mm

Definition of extension: The nominal extension is measured with the awning extended from the rear of the cassette to the leading edge of the front profile (the track extends a further 70 mm past this point). The tolerance in the extension is +40 mm / -40 mm.





N.B! If the motor is used continuously it will stop automatically after 3 to 4 minutes to prevent overheating.

In contrast to hard-wired motors, **radio-controlled motors** have no **safety cut-out mechanism** if the front profile is obstructed. If this function is required in combination with radio-controlled operation, order the standard motor with an external radio receiver and an appropriate sender.

In the case of a **bank of awnings operating simultaneously**, equal rotation speeds of the motors cannot be guaranteed because of tolerances within the motors.

Extension with a **standard motor** will take approximately **18 seconds per metre**.

N.B! From an extension of 3510 mm the cover may sag during extension and retraction of the awning. In windy or wet conditions and in the case of cover areas larger than 16 m² the cover may come in contact with the conservatory roof.

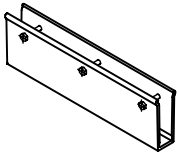
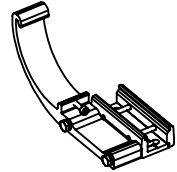
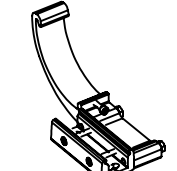
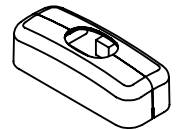
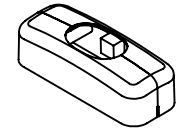
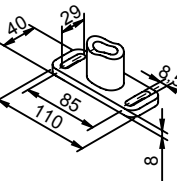
frame colours		
	RAL 9016 traffic white	●
	RAL 8019 grey brown	●
	RAL 9006 metallic aluminium	●
	non-standard RAL colour	○

fixings and accessories

<p>face fixture bracket assembly "left" 78117.</p>	<p>Track bracket assembly Fixture combination 32 76551.</p>	<p>flat bracket assembly for lateral fixture with swivel head 78085.</p>
<p>face fixture bracket assembly "right" 78118</p>	<p>track bracket assembly with swivel head 140mm 78105.</p>	<p>vario V bracket assembly for track fixture 78084.</p>
<p>bottom fixture bracket assembly "left" 78121.</p>	<p>track bracket assembly with swivel head 100 - 500 mm 78082.</p>	<p>universal track bracket assembly 100mm 78247.</p>
<p>bottom fixture bracket assembly "right" 78122.</p>	<p>track bracket assembly with swivel head and foot 200 - 500 mm 78083.</p>	<p>universal track bracket assembly 140 - 500 mm 78251.</p>
<p>raised cassette bracket assembly "left" 76545.</p>	<p>Flat track bracket assembly 76535.</p>	<p>track bracket assembly for transom fixture 100mm 78162.</p>
<p>raised cassette bracket assembly "right" 76546.</p>	<p>single track bracket assembly for track fixture (rigid) 78113.</p>	<p>track bracket assembly with adjustable plate 78161.</p>
<p>track bracket assembly with swivel head 100mm 78081.</p>	<p>Track bracket assembly Fixture combination 31 76554.</p>	<p>adjustable plate for track bracket assembly 78165.</p>

. = insert RAL colour code no.


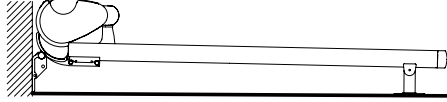
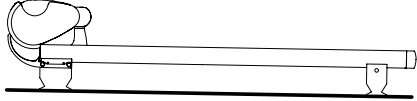
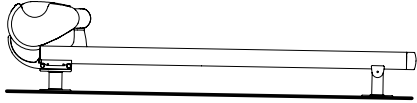
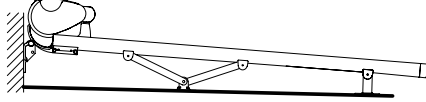
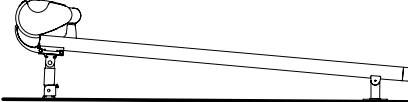
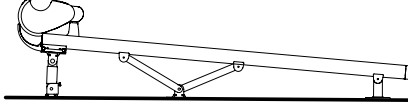
fixings and accessories

	<p>track bracket for track fixture</p> <p>by the metre without fixture holes, max. length 6m</p>
<p>78252.</p>	
	<p>track bracket assembly at the cassette "left"</p>
<p>76527.</p>	
	<p>track bracket assembly at the cassette "right"</p>
<p>76528.</p>	
	<p>decorative cap assembly for track bracket</p> <p>in the case of: 78451., 78538., 78543.</p>
<p>76603.</p>	
	<p>decorative cap assembly for track bracket</p> <p>in the case of: 78539., 78540., 78545., 78658.</p>
<p>76604.</p>	
	<p>fixture dimensions of swivel top track brackets</p>

. = insert RAL colour code no.

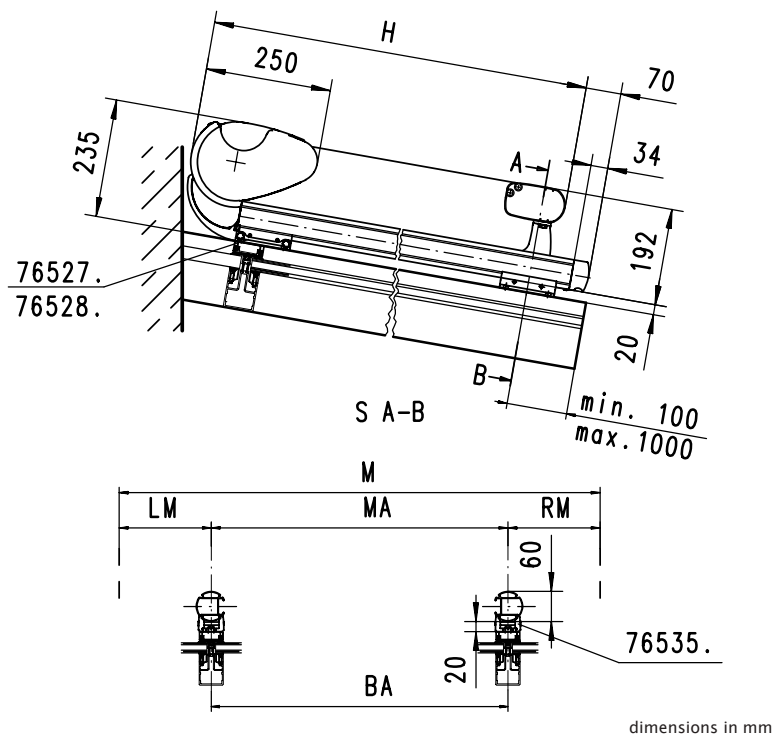
fixture combinations

all brackets incur a surcharge.

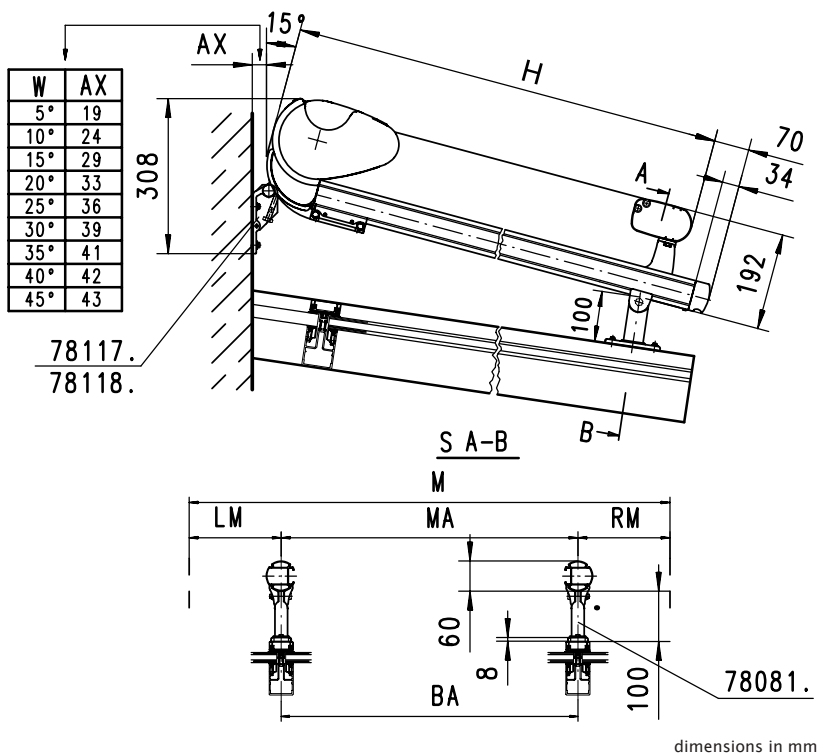
11		<ul style="list-style-type: none"> • from an extension of 4001 mm, 2 brackets per track
12		<ul style="list-style-type: none"> • only up to an extension of 4000 mm • from an extension of 4001 mm use fixture combination 51
31		<ul style="list-style-type: none"> • from an extension of 4001 mm, 3 brackets per track
32		<ul style="list-style-type: none"> • from an extension of 4001 mm, 3 brackets per track
51		<ul style="list-style-type: none"> • only from an extension of 4001 mm
61		<ul style="list-style-type: none"> • only up to an extension of 4000 mm • diagonal tensioners are recommended • from an extension of 4001 mm use fixture combination 81
81		<ul style="list-style-type: none"> • only from an extension of 4001 mm • diagonal tensioners are recommended
00	<p>individual bracket selection - v. fixing brackets and accessories. please note the minimum quantity in accordance with the width and extension!</p>	

fixture dimensions

Fixture combination 11, bottom fixture



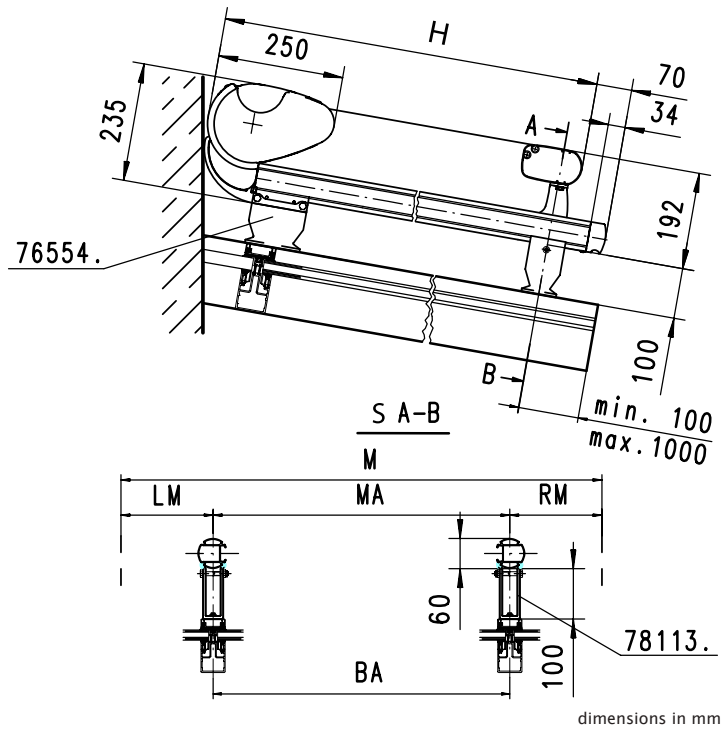
Fixture combination 12, face fixture



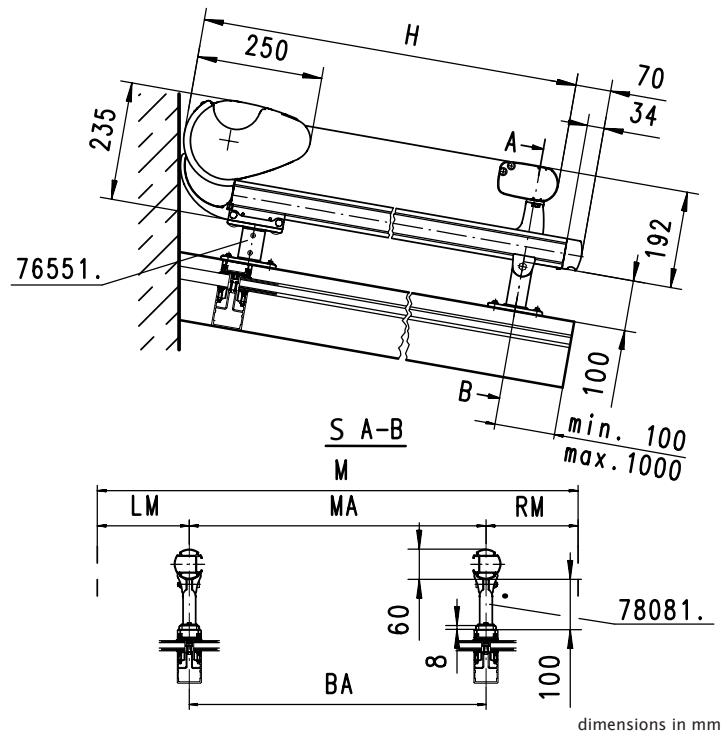
- H = extension
- M = overall awning width
- LM = L dimension
- RM = R dimension
- MA = awning width between fixture points = order width
- W = face fixture
- AX = distance cassette - wall
- S = section
- 76535.: up to an extension of 4000 mm 1 pc per track, from an extension of 4001 mm 2 pcs per track
- 78081.: up to an extension of 4000 mm 1 pc per track, from an extension of 4001 mm 2 pcs per track

fixture dimensions

Fixture combination 31, track fixture



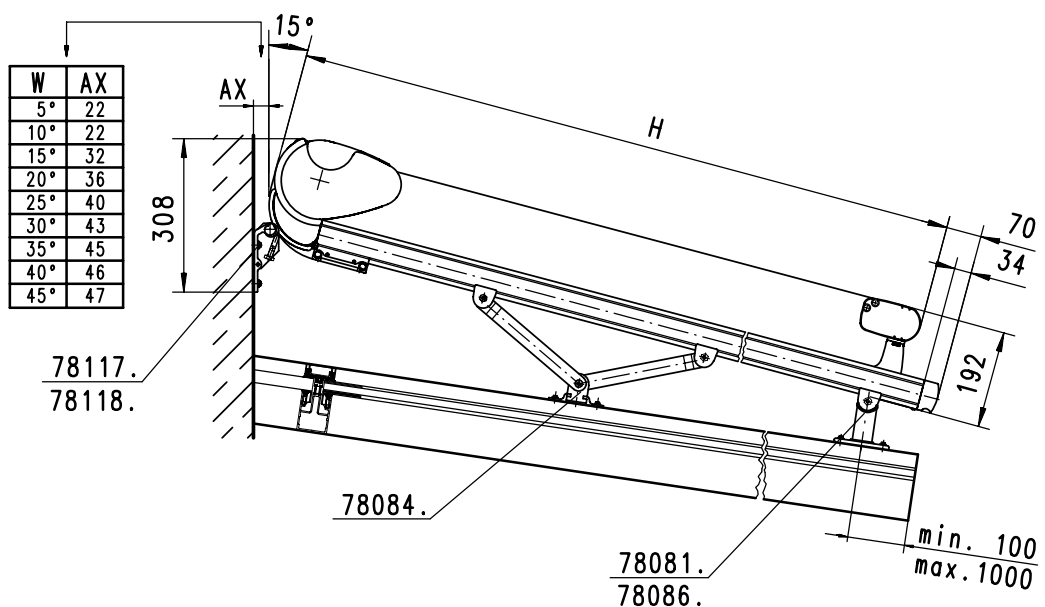
Fixture combination 32, track fixture



H = extension
M = overall awning width
MA = awning width between fixture points = order width
LM = L dimension
RM = R dimension
BA = fixture width
S = section
78113.: up to an extension of 4000 mm 1 pcs per track, from an extension of 4001 mm 2 pcs per track
78081.: up to an extension of 4000 mm 1 pc per track, from an extension of 4001 mm 2 pcs per track

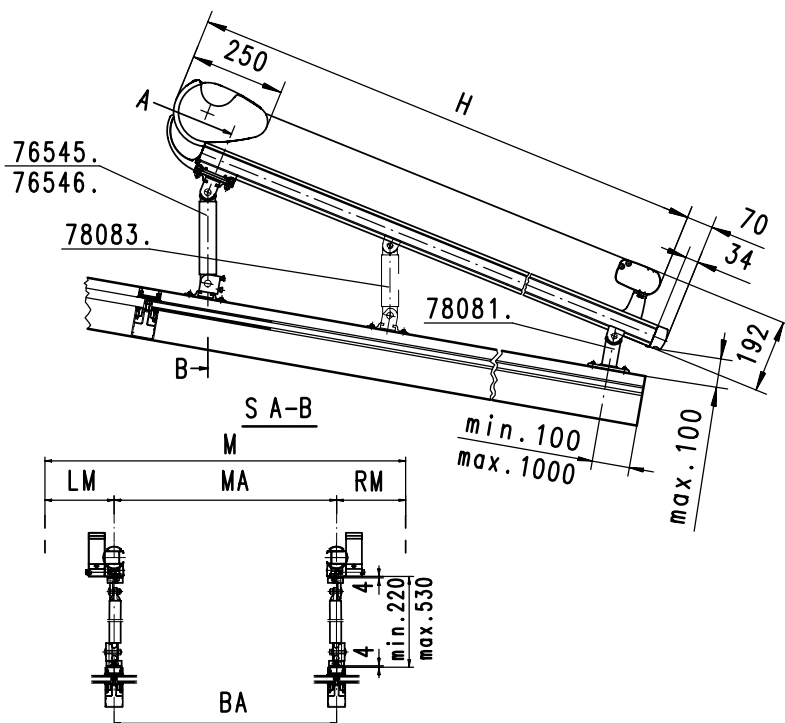
fixture dimensions

Fixture combination 51, face fixture extension greater than 4000 mm



dimensions in mm

Fixture combination 61, raised bottom fixture

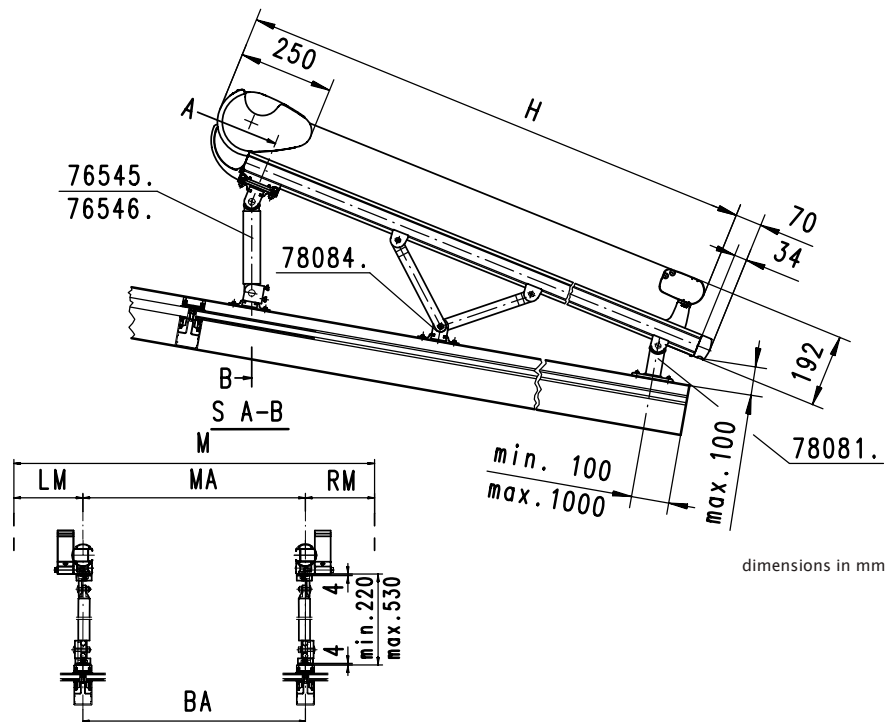


dimensions in mm

- AX = distance cassette - wall
- W = face fixture
- H = extension
- M = overall awning width
- LM = L dimension
- RM = R dimension
- MA = awning width between fixture points = order width
- BA = fixture width
- S = section
- 78083.: from an extension of 4001 mm; 1 additional per track

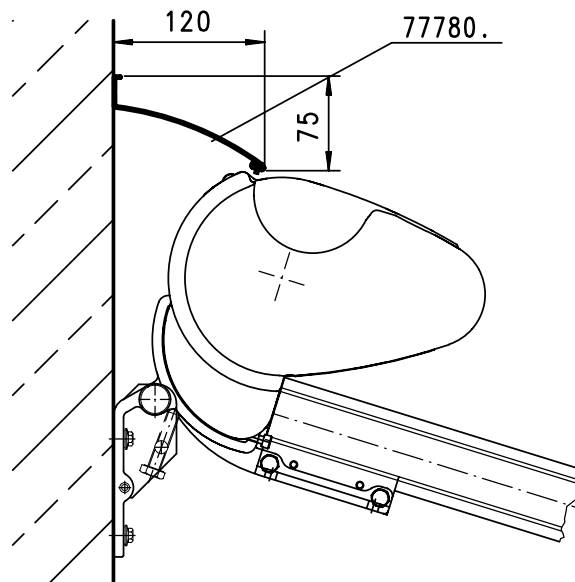
fixture dimensions

Fixture combination 81, raised bottom fixture using vario-V brackets



dimensions in mm

Face fixture with wall sealing profile

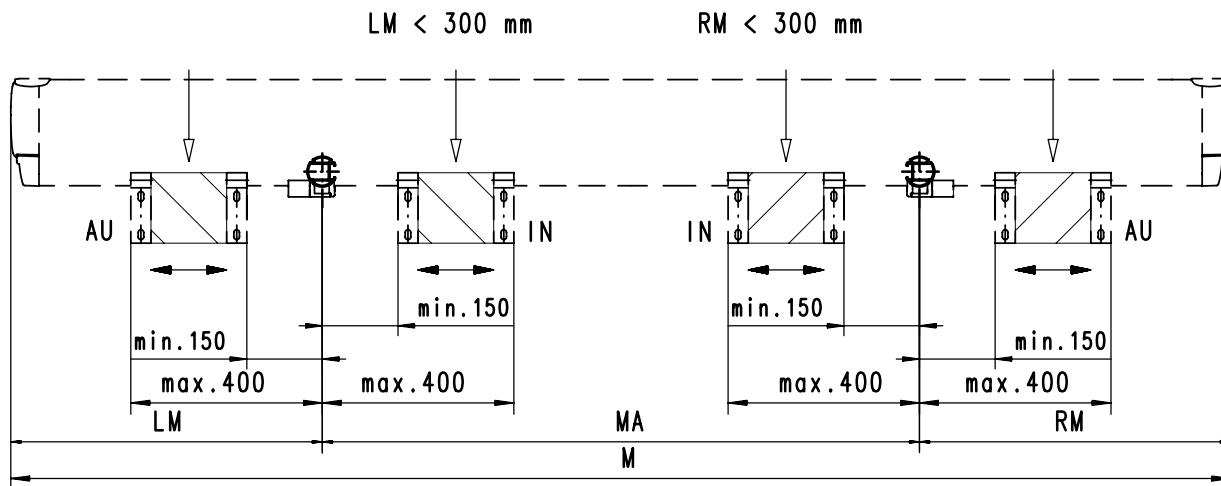


dimensions in mm

H = extension
 LM = L dimension
 RM = R dimension
 M = overall awning width
 MA = awning width between fixture points = order width
 BA = fixture width
 S = section
 77780.: wall sealing profile effective up to max. pitch of 20°

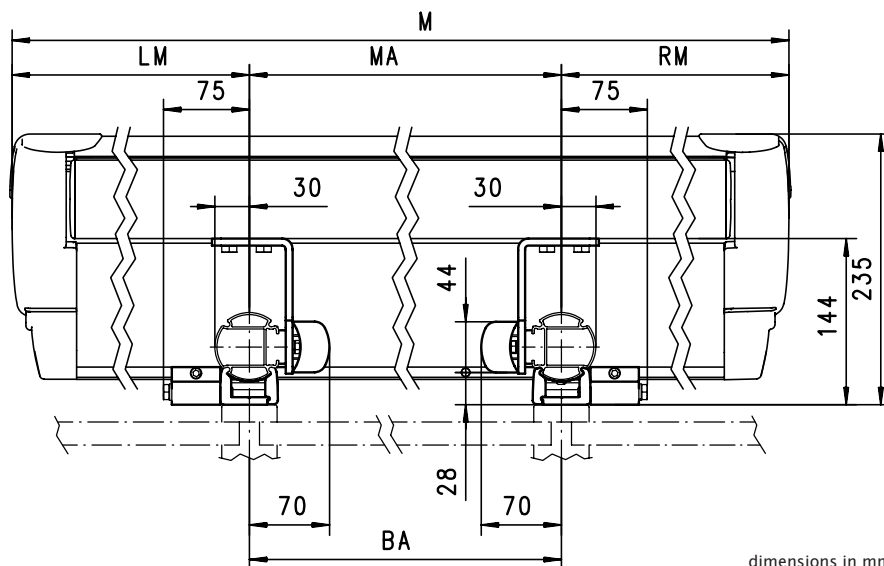
fixture dimensions

Bracket position, face fixture, fixture combination 12 and 51



dimensions in mm

Section across the guide track with view of the bogey and the cassette



dimensions in mm

- LM = L dimension
- RM = R dimension
- AU = exterior
- IN = interior
- M = overall awning width
- MA = awning width between fixture points = order width

По вопросам продаж и поддержки обращайтесь:

Архангельск (8182)63-90-72	Краснодар (861)203-40-90	Рязань (4912)46-61-64
Астана (7172)727-132	Красноярск (391)204-63-61	Самара (846)206-03-16
Белгород (4722)40-23-64	Курск (4712)77-13-04	Санкт-Петербург (812)309-46-40
Брянск (4832)59-03-52	Липецк (4742)52-20-81	Саратов (845)249-38-78
Владивосток (423)249-28-31	Магнитогорск (3519)55-03-13	Смоленск (4812)29-41-54
Волгоград (844)278-03-48	Москва (495)268-04-70	Сочи (862)225-72-31
Вологда (8172)26-41-59	Мурманск (8152)59-64-93	Ставрополь (8652)20-65-13
Воронеж (473)204-51-73	Набережные Челны (8552)20-53-41	Тверь (4822)63-31-35
Екатеринбург (343)384-55-89	Нижний Новгород (831)429-08-12	Томск (3822)98-41-53
Иваново (4932)77-34-06	Новокузнецк (3843)20-46-81	Тула (4872)74-02-29
Ижевск (3412)26-03-58	Новосибирск (383)227-86-73	Тюмень (3452)66-21-18
Казань (843)206-01-48	Орел (4862)44-53-42	Ульяновск (8422)24-23-59
Калининград (4012)72-03-81	Оренбург (3532)37-68-04	Уфа (347)229-48-12
Калуга (4842)92-23-67	Пенза (8412)22-31-16	Челябинск (351)202-03-61
Кемерово (3842)65-04-62	Пермь (342)205-81-47	Череповец (8202)49-02-64
Киров (8332)68-02-04	Ростов-на-Дону (863)308-18-15	Ярославль (4852)69-52-93

Единый адрес: mxr@nt-rt.ru **Веб-сайт:** www.markilux.nt-rt.ru