

По вопросам продаж и поддержки обращайтесь:

Архангельск (8182)63-90-72	Краснодар (861)203-40-90	Рязань (4912)46-61-64
Астана (7172)727-132	Красноярск (391)204-63-61	Самара (846)206-03-16
Белгород (4722)40-23-64	Курск (4712)77-13-04	Санкт-Петербург (812)309-46-40
Брянск (4832)59-03-52	Липецк (4742)52-20-81	Саратов (845)249-38-78
Владивосток (423)249-28-31	Магнитогорск (3519)55-03-13	Смоленск (4812)29-41-54
Волгоград (844)278-03-48	Москва (495)268-04-70	Сочи (862)225-72-31
Вологда (8172)26-41-59	Мурманск (8152)59-64-93	Ставрополь (8652)20-65-13
Воронеж (473)204-51-73	Набережные Челны (8552)20-53-41	Тверь (4822)63-31-35
Екатеринбург (343)384-55-89	Нижний Новгород (831)429-08-12	Томск (3822)98-41-53
Иваново (4932)77-34-06	Новокузнецк (3843)20-46-81	Тула (4872)74-02-29
Ижевск (3412)26-03-58	Новосибирск (383)227-86-73	Тюмень (3452)66-21-18
Казань (843)206-01-48	Орел (4862)44-53-42	Ульяновск (8422)24-23-59
Калининград (4012)72-03-81	Оренбург (3532)37-68-04	Уфа (347)229-48-12
Калуга (4842)92-23-67	Пенза (8412)22-31-16	Челябинск (351)202-03-61
Кемерово (3842)65-04-62	Пермь (342)205-81-47	Череповец (8202)49-02-64
Киров (8332)68-02-04	Ростов-на-Дону (863)308-18-15	Ярославль (4852)69-52-93

Единый адрес: mxr@nt-rt.ru **Веб-сайт:** www.markilux.nt-rt.ru

**Маркизы для зимнего сада с изогнутыми
направляющими 8000 markilux**

safe · timeless · beautiful



markilux 8000 with curved front

The markilux conservatory awning that "goes round the bend"



markilux 8000 with curved front

The markilux conservatory awning that "goes round the bend"

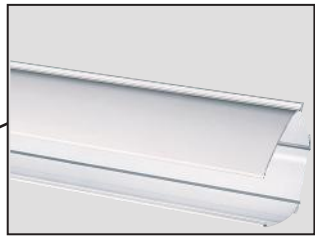
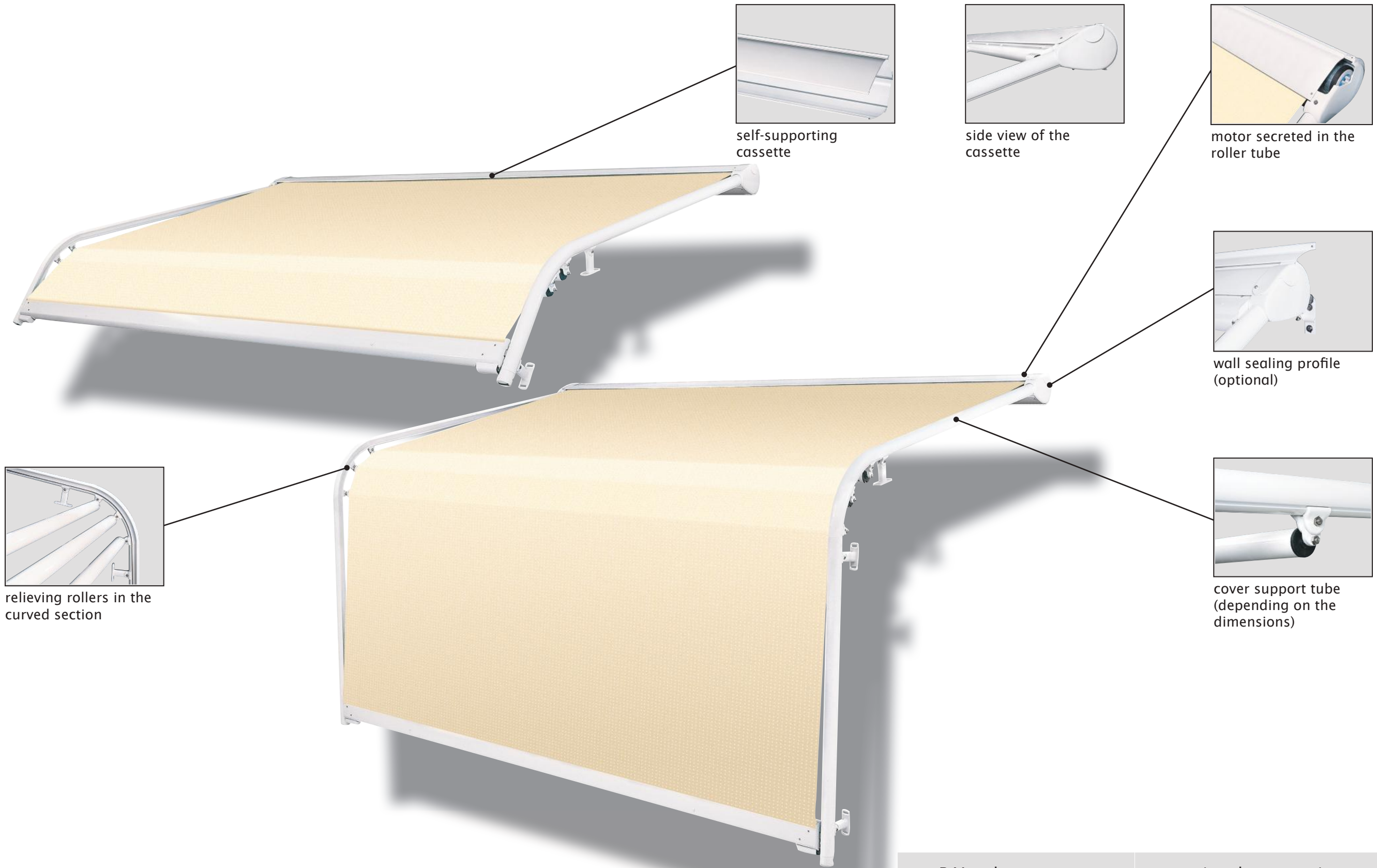
- design features**
- the cassette profile, the guide tracks and the front profile complement one another perfectly and result in an elegant appearance down to the last detail.
 - guide tracks in one piece without unsightly and technically inferior joints
 - when retracted the cover is protected from the weather by the cassette, which encloses it completely.
 - attractive, rounded end caps complete the appearance of this very compact cassette.
 - for long-lasting attractiveness the awning has been powder coated.

- technical highlights**
- exterior solar shading so the heat does not get into the conservatory in the first place
 - particularly sturdy cassette, track and front profile design For safe solar protection in wind and rain (maximum wind load Beaufort 6, 13.8 m/s, 49 km/h, 30 mph)
 - the guide tracks are bent using a special process, this makes them sturdier than split tracks - the bogey can run round the curve without encountering any obstacles.
 - the curve is made to fit the conservatory precisely
 - robust self-supporting housing with maintenance-friendly service covers

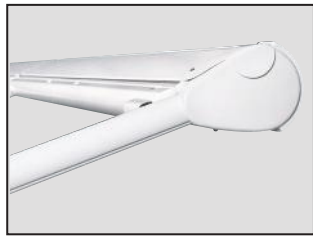
- optional accessories**
- radio-controlled motor with remote control for comfortable operation. markilux remote control with ergonomic design.
 - Wall sealing profile to cover the gap between awning and wall.
 - markilux infra-red heater in a compact aluminium housing. Cozy warmth without warming up phase within an area of approximately 9-12 m².
 - awning available in non-standard RAL colours
 - an easily installed, radio control sun and wind sensor guarantees comfort and a degree of protection - even in your absence.

- Awning-covers made of acrylic or sunsilk snc with self-cleaning effect
- The 95 mm roller tube with self-aligning bearing ensures the highest stability even at larger widths and optimum winding characteristics of the awning cover
- Sturdy front profile made of extruded aluminium with doubled keyway for cover fixture giving maximum safety and optimum rain water drainage
- An especially strong connection between the guide tracks and cassette makes suspended fixture using only the guide tracks possible
- The cassette with brush-seal protects the cover in the retracted position against the ingress of dirt
- When fitted via the cassette the bracket position can be chosen at will up to 35 cm in from the edge of the cassette
- The guide tracks can overhang the outermost bracket by up to 100 cm giving even more protection from the sun
- To avoid contact between the cover and the conservatory large extensions are delivered with one or two cover support tubes depending on the size
- A highly comprehensive selection of brackets is available for fixture
- Brackets with patented clip-on system for easy and smooth awning fixture
- Motor with electronic cut-off mechanism to prevent overheating and damage if the awning is obstructed. (Not in the case of a radio-controlled motor)
- Permanently high cover tension by means of two special gas piston modules operating independently of one another
- The highly tear-resistant drive belts ensure the awning runs quietly and smoothly
- The bogeys with special wheels guide the front profile and allow it to extend and retract quietly
- Belt rollers with maintenance-free bearings in Teflon-coated bushes for long-lasting smooth operation
- Awning pre-assembled and tested completely at the factory
- individual, bespoke manufacture to order so that the shading fits your conservatory or patio canopy perfectly
- Awning covers stitched together using 100% UV-resistant sewing thread on top of the cover
- Awnings with more than 400 cm width are delivered as a coupled unit

conservatory awning markilux 8000 with curved front



self-supporting cassette



side view of the cassette



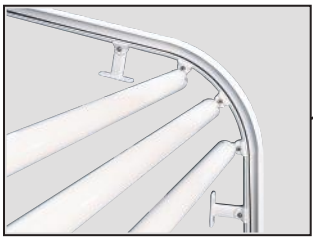
motor secreted in the roller tube



wall sealing profile (optional)

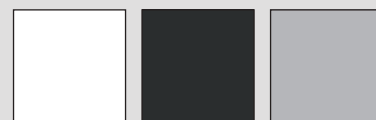


cover support tube (depending on the dimensions)

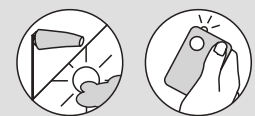


relieving rollers in the curved section

RAL colours:



optional accessories:



safe · timeless · beautiful



markilux 8000 with curved front


The markilux conservatory awning that "goes round the bend"

markilux

dimensions and configuration options

		single unit 1 field, 1 motor						minimum fixture width	minimum fixture width in the case of Soltis 92
		150	200	250	300	350	400		
		74-150	151-200	201-250	251-300	301-350	351-400		
overall width	+ 8	+ 8	+ 8	+ 8	+ 8	+ 8			
extension	150						74	112	
	200						79	112	
	250						79	112	
	300						79	112	
	350						112	112	
	400						112	112	
	450						112	149	
	500						112	149	
	550						112	149	
	600						122	149	
	650						122	149	
700						122	149		

dimensions in cm

 = available

The exact quantity of brackets, cover support tubes and relieving rollers will be determined individually according to the enquiry. Please use the order form for the monopitch conservatory for this.

configuration options	type of shading	
	for exterior use	●
	for interior use	-
	operation type	
	radio-controlled motor	○
	motor	●
	stainless steel winding handle with bayonet fitting	-
	cord pulley system	-
	operating staff	-
	covers	
	acrylic 34 (fabric series 341xx-347xx)	●
sunsilk SNC (fabric series 324xx/329xx)	●	
signature (fabric series 369xx)	●	
oversized acrylic (fabric series 349xx)	-	
transilk FR (fabric series 319xx)	-	
transolair (fabric series 339xx)	●	
perfortex (fabric series 333xx)	●	
perla FR (fabric series 374xx/379xx)	○	
Trevira CS	-	
Soltis 92	○	
PVC fabric	-	
miscellaneous		
wall sealing profile	○ ³	
frame system markilux RS 8000	○	
cover profiles for gap between tracks and cover	-	
sun and wind sensor	○	
coupled units		
coupled unit 2 fields	○	
coupled unit 3 fields	○	

- = fitted as standard
- = optional accessory
- = not available
- ³ = wall sealing profile effective up to an awning pitch of 25°

Dimension sheets for conservatories can be found at the end of this section. Orders should be submitted with the dimensions of the conservatory. Orders will only be released for production once all technical details have been clarified. A technical drawing will be sent to you by fax or mail which must be signed off before production can begin.

Fixture width/order width definition: The fixture width is the measurement from track centre to track centre i.e. from fixture point to fixture point on the conservatory. The overall width of the awning is 80 mm greater than the fixture width. The tolerance in the fixture width is +0 mm / -20 mm.



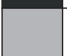

Definition of extension: the nominal extension is measured with the awning extended from the back of the cassette to the leading edge of the front profile (the tracks will extend 70 mm past this point). The tolerance in the extension is +40 mm / -40 mm

N.B! If the motor is used continuously it will stop automatically after 3 to 4 minutes to prevent overheating.

In contrast to hard-wired motors, **radio-controlled motors** have no **safety cut-out mechanism** if the front profile is obstructed. If this function is required in combination with radio-controlled operation, order the standard motor with an external radio receiver and an appropriate sender.

In the case of a **bank of awnings operating simultaneously**, equal rotation speeds of the motors cannot be guaranteed because of tolerances within the motors.

The extension time of single units with a **hard-wired motor** is approximately **11 seconds per metre**.

frame colours		
	RAL 9016 traffic white	●
	RAL 8019 grey brown	●
	RAL 9006 metallic aluminium	●
	non-standard RAL colour	○


markilux 8000 with curved front

coupled units 2 fields, 1 or 2 motors

fixture width / order width	450	500	550	600	650	700	750	800
	401- 450	451- 500	501- 550	551- 600	601- 650	651- 700	701- 750	751- 800
overall width	+ 8	+ 8	+ 8	+ 8	+ 8	+ 8	+ 8	+ 8
extension	150							
	200							
	250							
	300							
	350							
	400							
	450							
	500							
	550							
	600							
650								
700								

coupled units 3 fields, 2 motors

fixture width / order width	600	650	700	750	800	850	900	950	1000	1050	1100	1150	1200
	551- 600	601- 650	651- 700	701- 750	751- 800	801- 850	851- 900	901- 950	951- 1000	1001- 1050	1101- 1150	1101- 1150	1151- 1200
overall width	+ 8	+ 8	+ 8	+ 8	+ 8	+ 8	+ 8	+ 8	+ 8	+ 8	+ 8	+ 8	+ 8
extension	150												
	200												
	250												
	300												
	350												
	400												
	450												
	500												
	550												
	600												
650													
700													

 = available

dimensions in cm

The exact quantity of brackets, cover support tubes and relieving rollers will be determined individually according to the enquiry. Please use the order form for the monopitch conservatory for this.

Coupled conservatory awnings are available up to a **maximum width of 3** single units (3 fields) **side by side**.

In the case of coupled units with 2 or 3 fields and 2 motors **unequal running speeds** due to tolerances in the motor speeds can occur.

In the case of coupled units **with fields of differing sizes** smooth rolling up behaviour of the covers cannot be guaranteed. Any visual anomaly will have no bearing on the functionality or durability of the cover.

The above tables assume equal field widths in coupled awnings. If a coupled unit of **unequal field width** is required, for which a cover support tube is required on the larger awning - if only for aesthetic reasons - **one should also be fitted** to the smaller awning (v. table for 1 field).

In the case of coupled units **up to a fixture width of 700 cm** the cassette will be supplied in one piece. If, for transportation or fixture reasons, the cassette needs to be split, please note this explicitly on the order form.

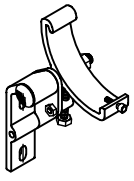

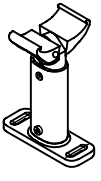
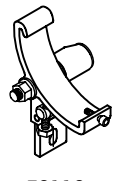

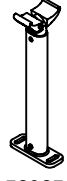
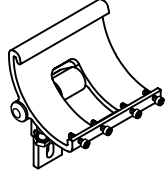
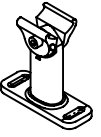
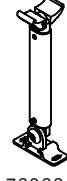
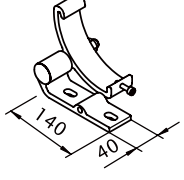
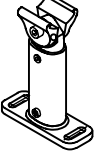
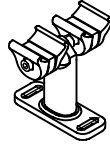
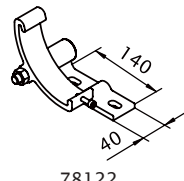


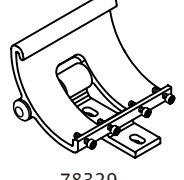
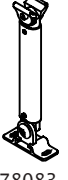
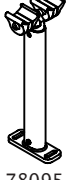
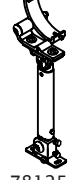
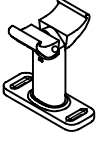
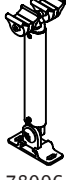
The extension time of coupled units with **2 fields, 1 motor** and **3 fields, 2 motors** is approximately **16 seconds per metre**. In the case of coupled units with **2 fields, 2 motors** as in the case of single units it takes **16 seconds per metre** for them to extend.

If a coupled unit has two motors these can be operated independently of one another.

Maximum awning size: please refer to the table for single units!

In the case of coupled units fitted in a **reveal** or **between walls** walls the overall width must be at least 6 cm less than the reveal width so that the awnings can be coupled. Always tell us that the awning is to be fitted into a reveal and note the reveal width separately on the order.

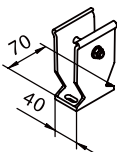
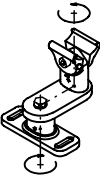
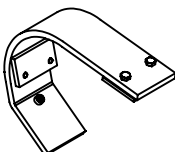
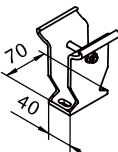
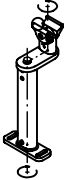
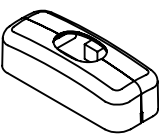
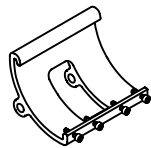
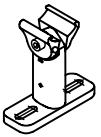
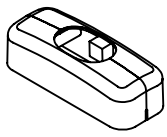
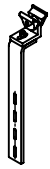
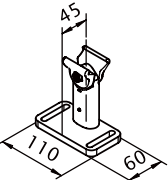
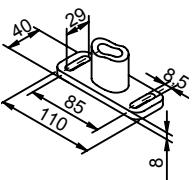



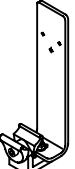
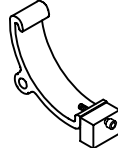
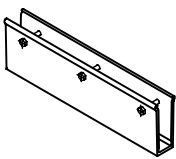
fixings and accessories

 face fixture bracket assembly "left" 78117.	 raised cassette bracket assembly "right" 78126.	 coupling track bracket assembly with swivel head 140 mm 78107.
 face fixture bracket assembly "right" 78118.	 raised cassette bracket assembly coupling point 78332.	 coupling track bracket assembly with swivel head 100 - 500 mm 78087.
 cassette coupling bracket assembly wall 78330.	 track bracket assembly with swivel head 100 mm 78081.	 coupling track bracket assembly with swivel head and foot 200 - 500 mm 78088.
 bottom fixture bracket assembly "left" 78121.	 track bracket assembly with swivel head 140 mm 78105.	 double track bracket assembly with swivel head 100 mm 78094.
 bottom fixture bracket assembly "right" 78122.	 track bracket assembly with swivel head 100 - 500 mm 78082.	 double track bracket assembly with swivel head 140 mm 78108.
 cassette coupling bracket assembly bottom 78329.	 track bracket assembly with swivel head and foot 200 - 500 mm 78083.	 double track bracket assembly with swivel head 100 - 500 mm 78095.
 raised cassette bracket assembly "left" 78125.	 coupling track bracket assembly with swivel head 100 mm 78086.	 double track bracket assembly with swivel head and foot 200 - 500 mm 78096.

. = insert RAL colour code no.

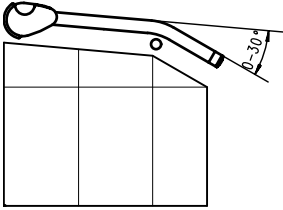
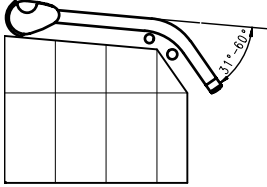
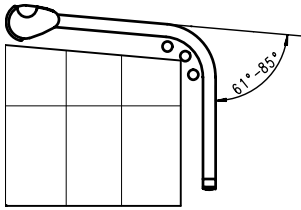
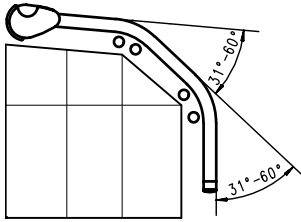
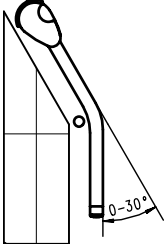
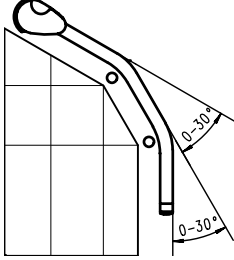
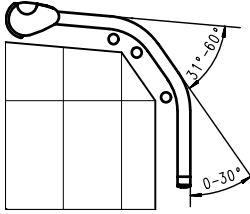
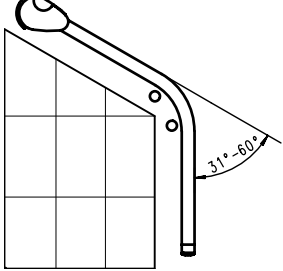
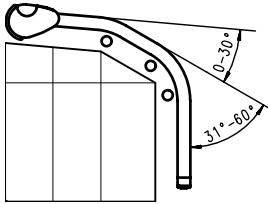
markilux 8000 with curved front

fixings and accessories

 <p>78113.</p>	 <p>78247.</p>	 <p>78252.</p>
 <p>78115.</p>	 <p>78251.</p>	 <p>76603.</p>
 <p>78333.</p>	 <p>78162.</p>	 <p>76604.</p>
 <p>78085.</p>	 <p>78161.</p>	 <p>Fixing dimensions of adjustable track brackets</p>
 <p>78084.</p>	 <p>78165.</p>	
 <p>78089.</p>	 <p>78171.</p>	
 <p>78145.</p>	 <p>78252.</p>	

. = insert RAL colour code no.

max. field-width 400 cm, extension 700 cm

1 relieving roller	2 relieving rollers	3 relieving rollers	4 relieving rollers
			
1 curve from 1 to 30 degrees	1 curve from 1 to 30 degrees	1 curve from 61 to 85 degrees	2 curves from 31 to 60 degrees
			
1 curve from 1 to 30 degrees as vertical shading	2 curves from 1 to 30 degree as vertical shading	1 curve from 31 to 60 degree and one curve from 1 to 30 degree as vertical shading	
			
	1 curve from 1 to 30 degrees as vertical shading	1 curve from 1 to 30 degree with 1 curve from 31 to 60 degree as vertical shading	

markilux-8000 Order no. Model code	1 curve 1 field 1 motor	2 curves 1 field 1 motor	1 curve 2 fields 1 motor	2 curves 2 fields 1 motor	1 curve 2 fields 2 motors	2 curves 2 fields 2 motors	1 curve 3 fields 2 motors	2 curves 3 fields 2 motors
1 relieving roller	8000- 1-1-1-1		8000- 1-2-1-1		8000- 1-2-2-1		8000- 1-3-2-1	
2 relieving rollers	8000- 1-1-1-2	8000- 2-1-1-2	8000- 1-2-1-2	8000- 2-2-1-2	8000- 1-2-2-2	8000- 2-2-2-2	8000- 1-3-2-2	8000- 2-3-2-2
3 relieving rollers	8000- 1-1-1-3	8000- 2-1-1-3	8000- 1-2-1-3	8000- 2-2-1-3	8000- 1-2-2-3	8000- 2-2-2-3	8000- 1-3-2-3	8000- 2-3-2-3
4 relieving rollers		8000- 2-1-1-4		8000- 2-2-1-4		8000- 2-2-2-4		8000- 2-3-2-4

The model code consists of the **basic type** and the number of **curves, fields, motors and relieving rollers**

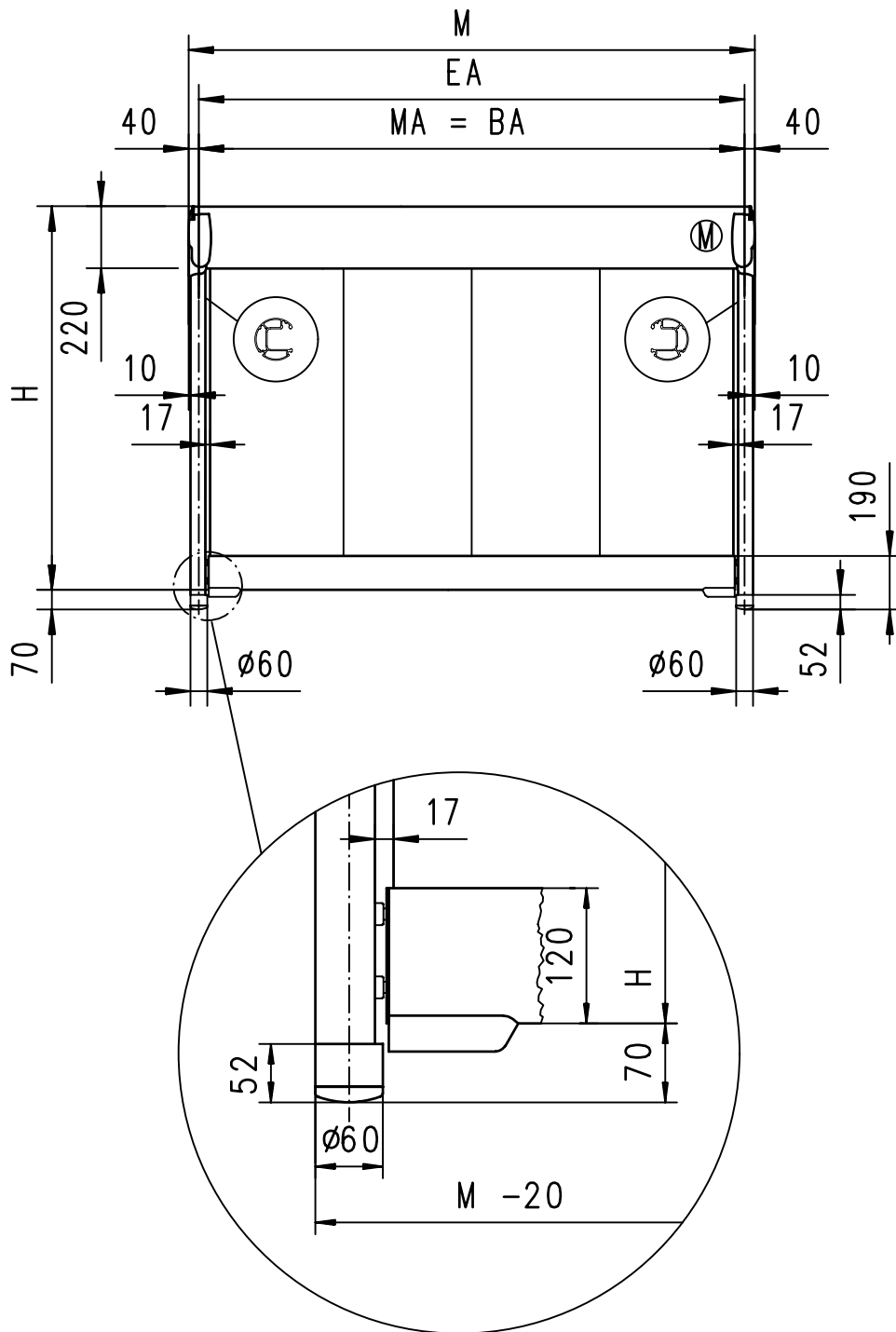
Example: markilux-8000-1-2-1-2 = Order number 1212....

base model	curve	field(s)	motor(s)	relieving roller(s)
markilux-8000	1	2	1	2

markilux 8000 with curved front

fixture dimensions

single unit 1 field, 1 motor

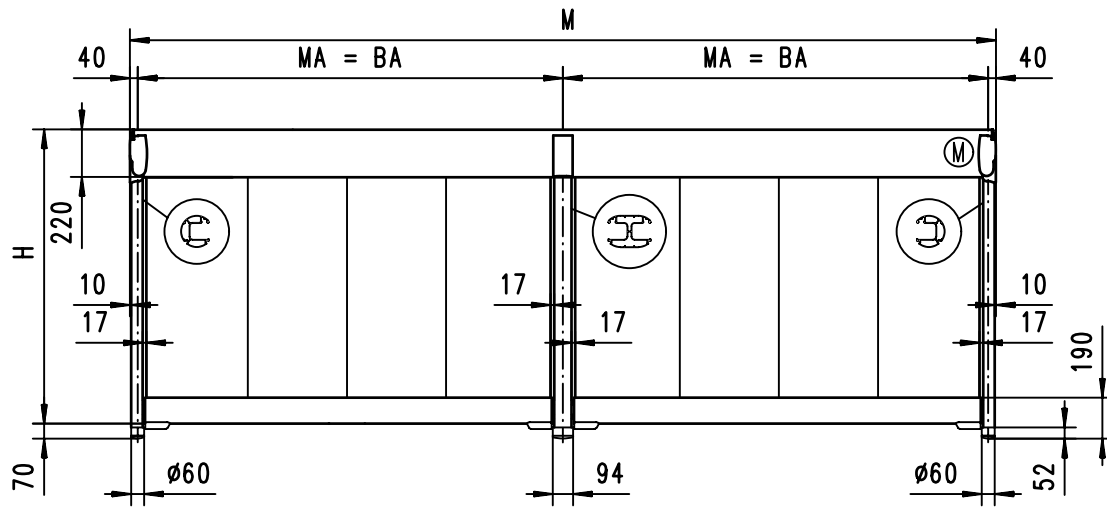


dimensions in mm

M = overall awning width
EA = single unit
H = extension
BA = fixture width
MA = awning width between fixture points = fixture width = order width

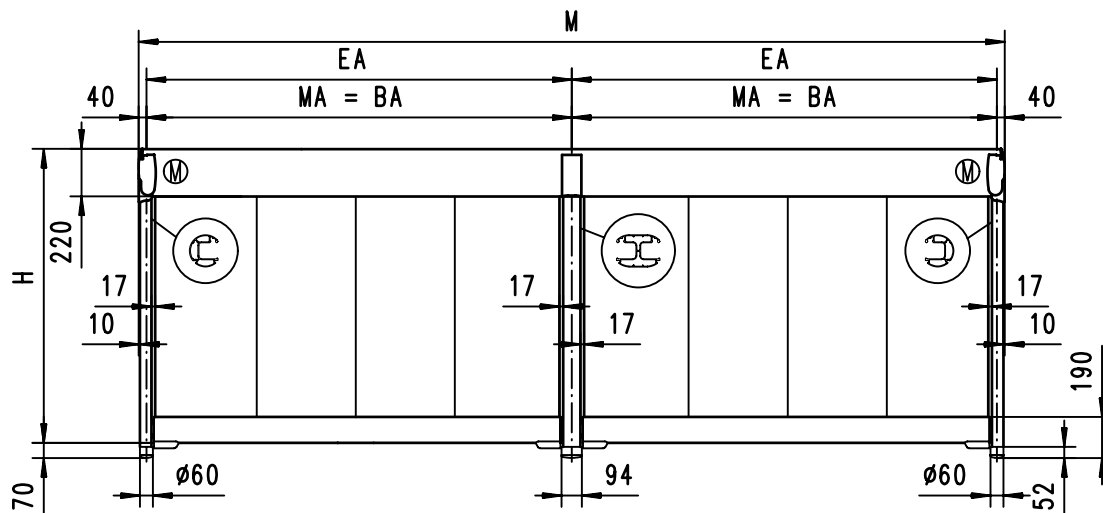
fixture dimensions

coupled unit 2 fields, 1 motor



dimensions in mm

coupled unit 2 fields, 2 motors

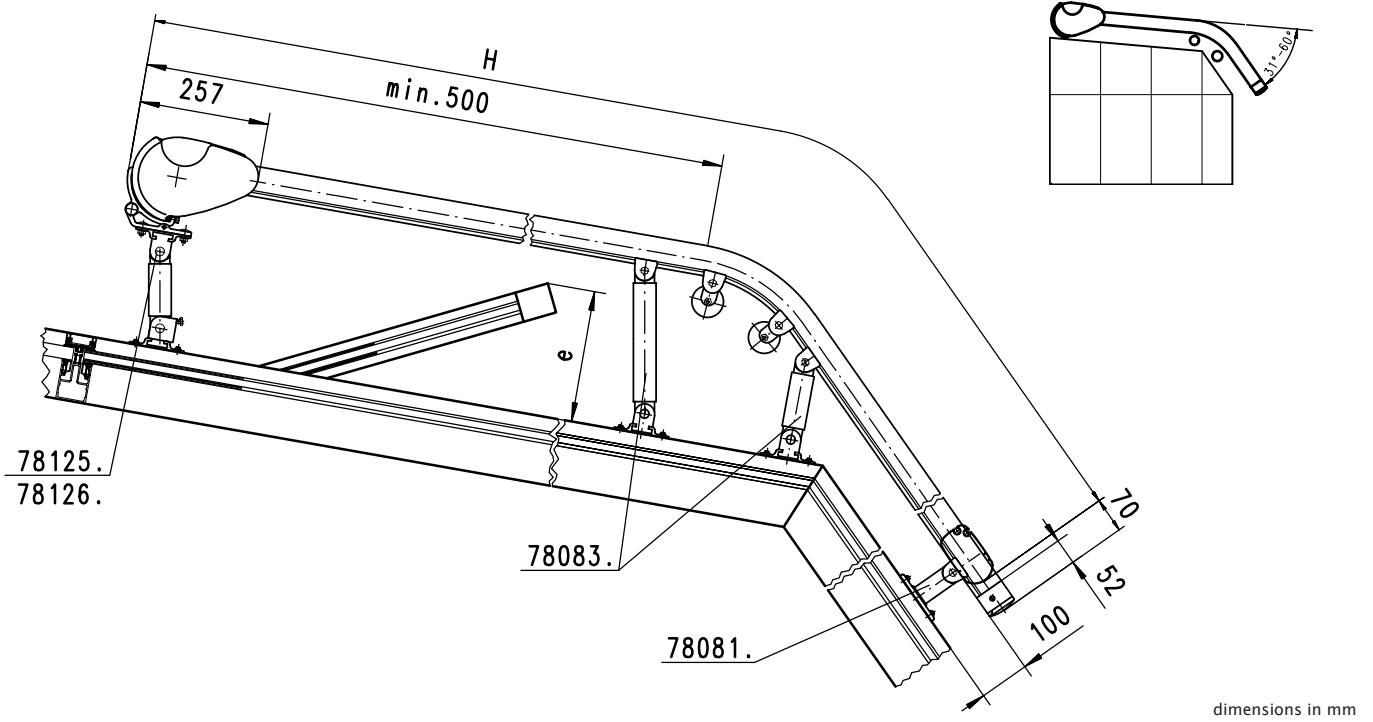


dimensions in mm

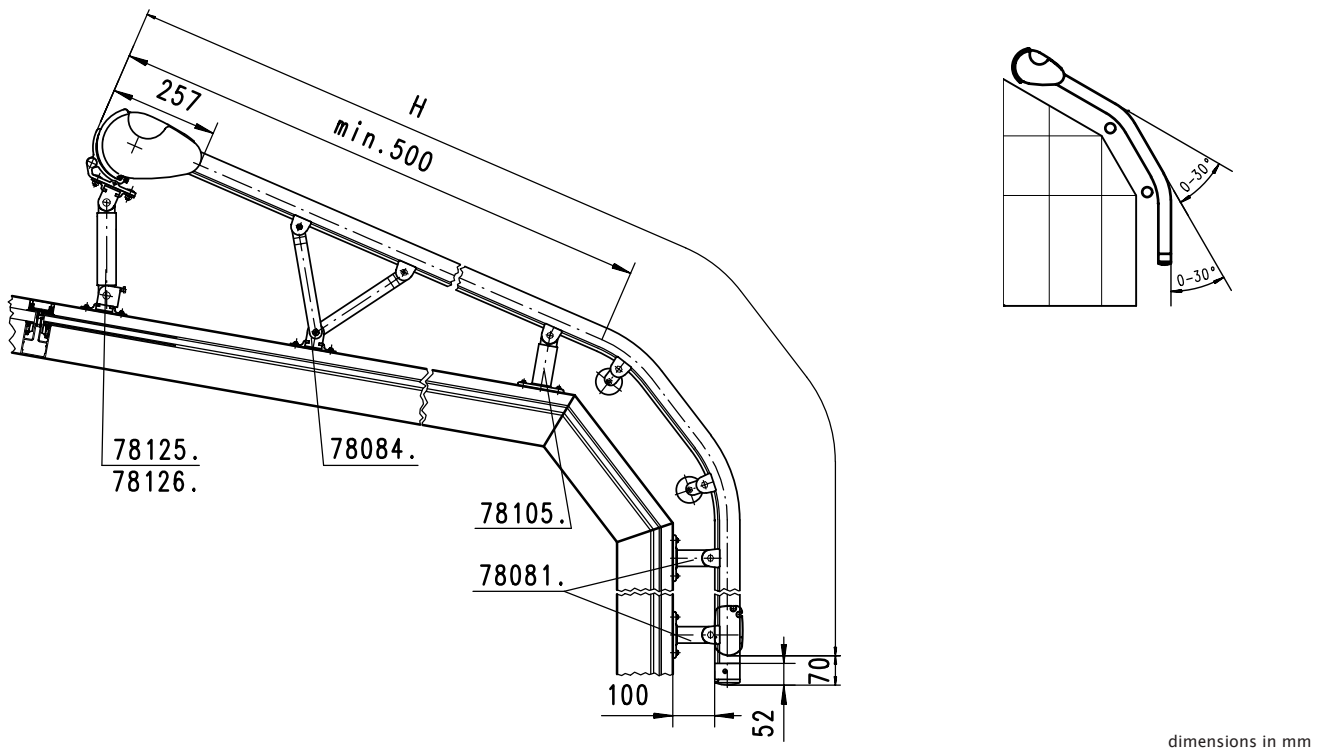
M = overall awning width
 EA = single unit
 H = extension
 MA = awning width between fixture points = fixture width = order width
 BA = fixture width

fixture dimensions

Fixture combination 61, raised bottom cassette fixture



Fixture combination 81, raised bottom fixture with vario-V brackets

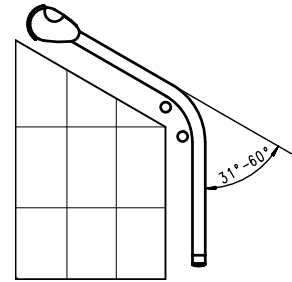
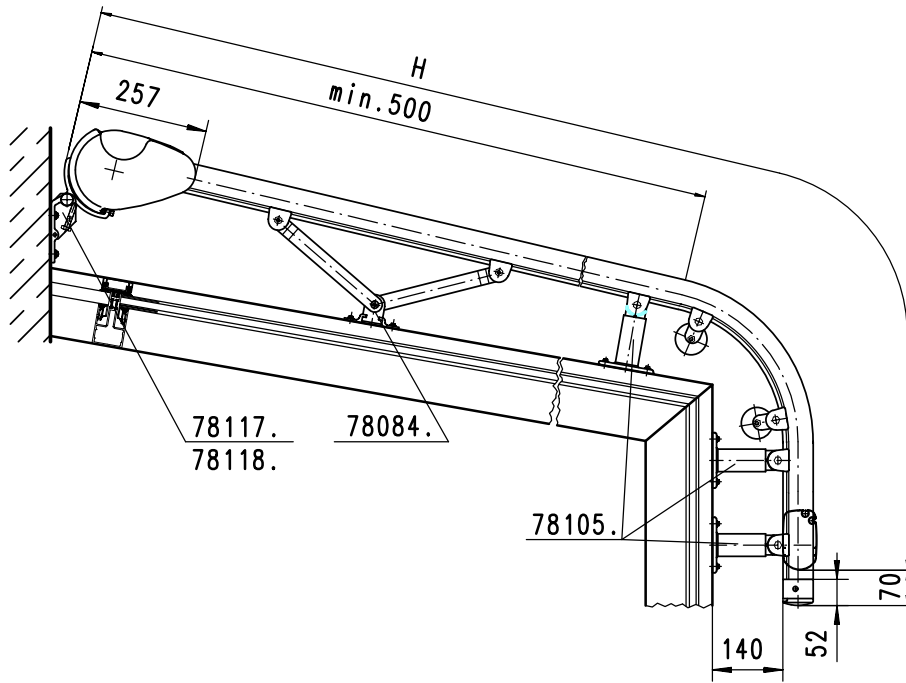


H = extension
e = Attention! Take special note of window dimensions etc.!

markilux 8000 with curved front

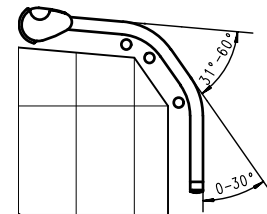
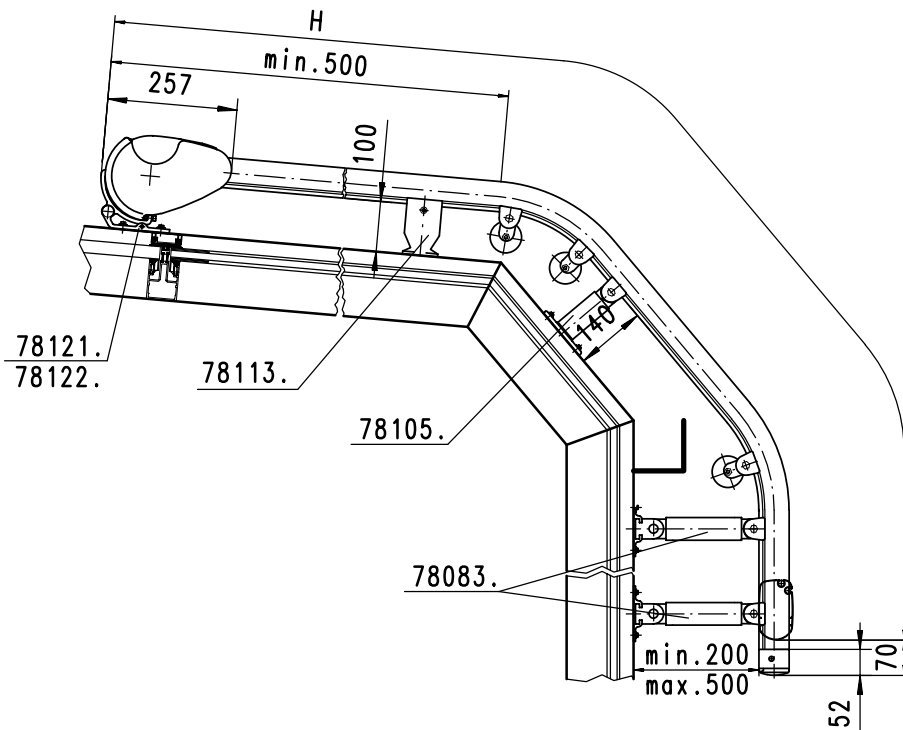
fixture dimensions

Fixture combination 51, face fixture



dimensions in mm

Combined fixture method, bottom fixture

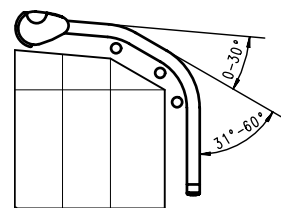
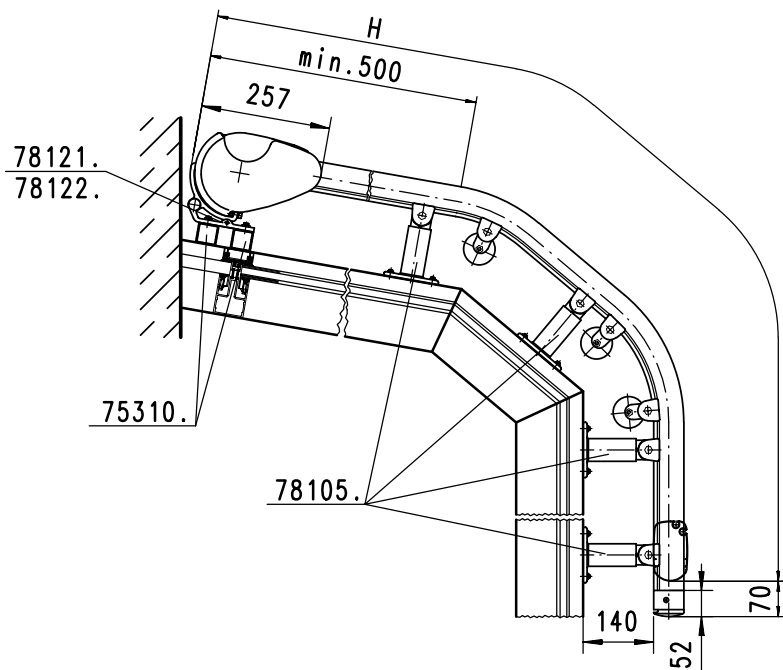


dimensions in mm

H = extension

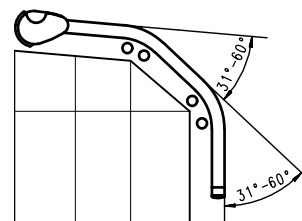
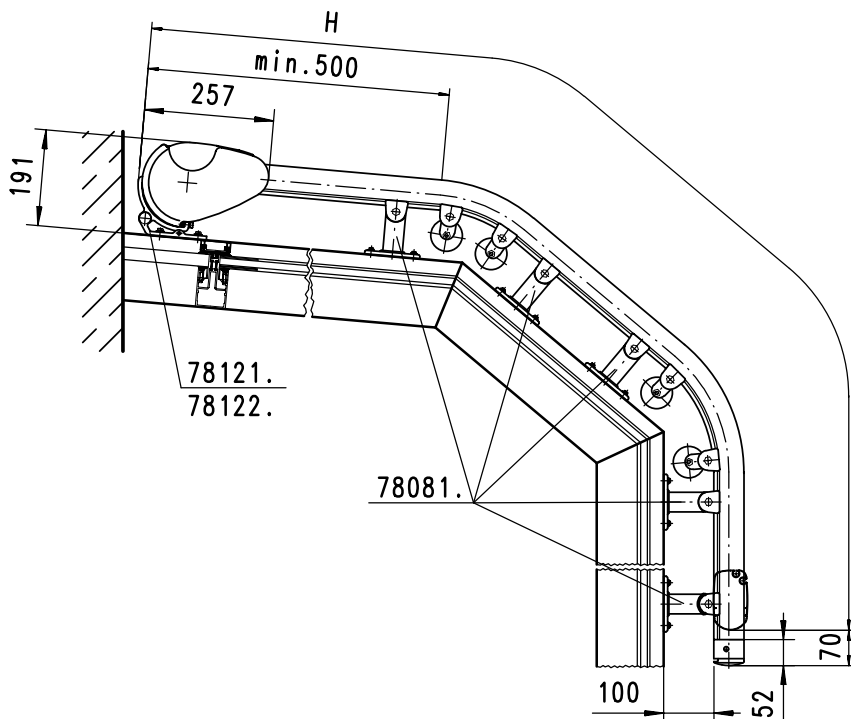
fixture dimensions

Fixture combination 91, bottom fixture to torque bars



dimensions in mm

Fixture combination 11, bottom fixture



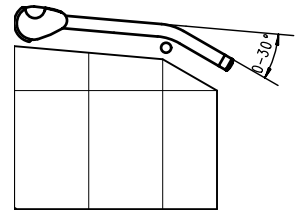
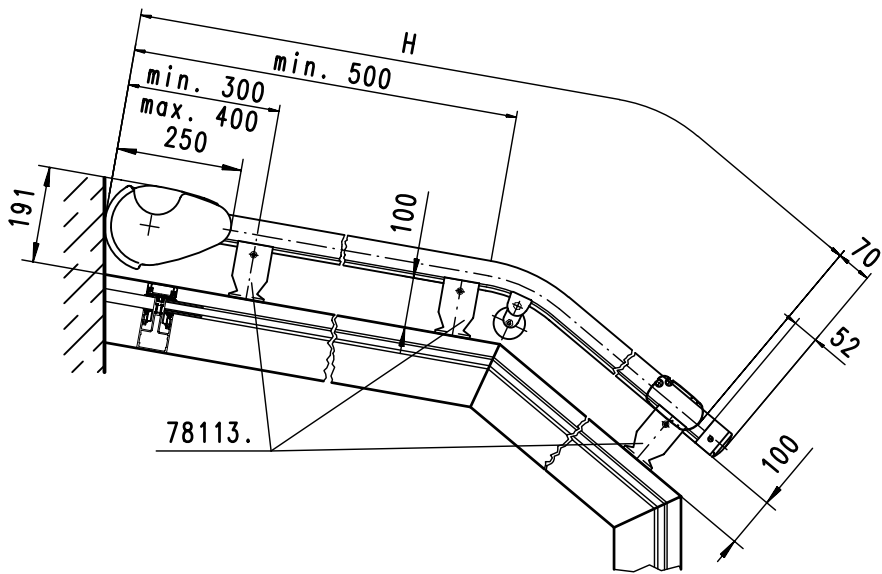
dimensions in mm

H = extension

markilux 8000 with curved front

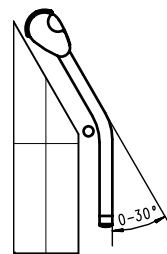
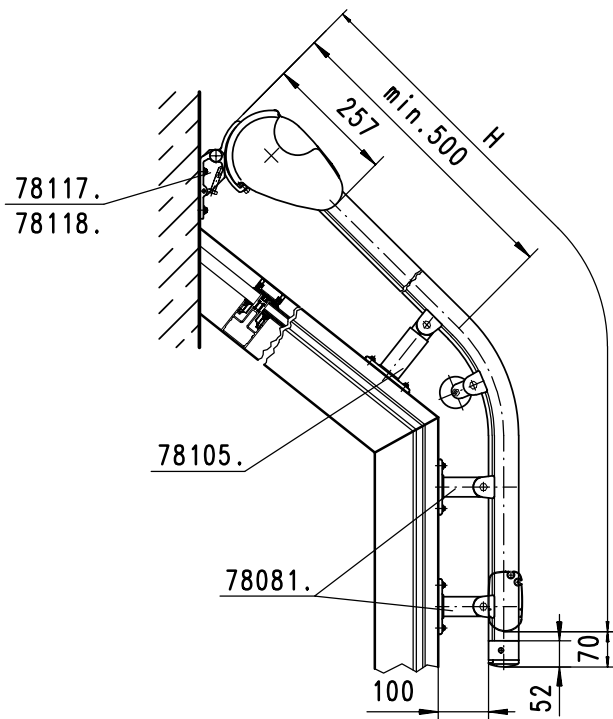
fixture dimensions

Fixture combination 31, track fixture possible up to a single field width of 400 cm



dimensions in mm

Fixture combination 51, face Fixture

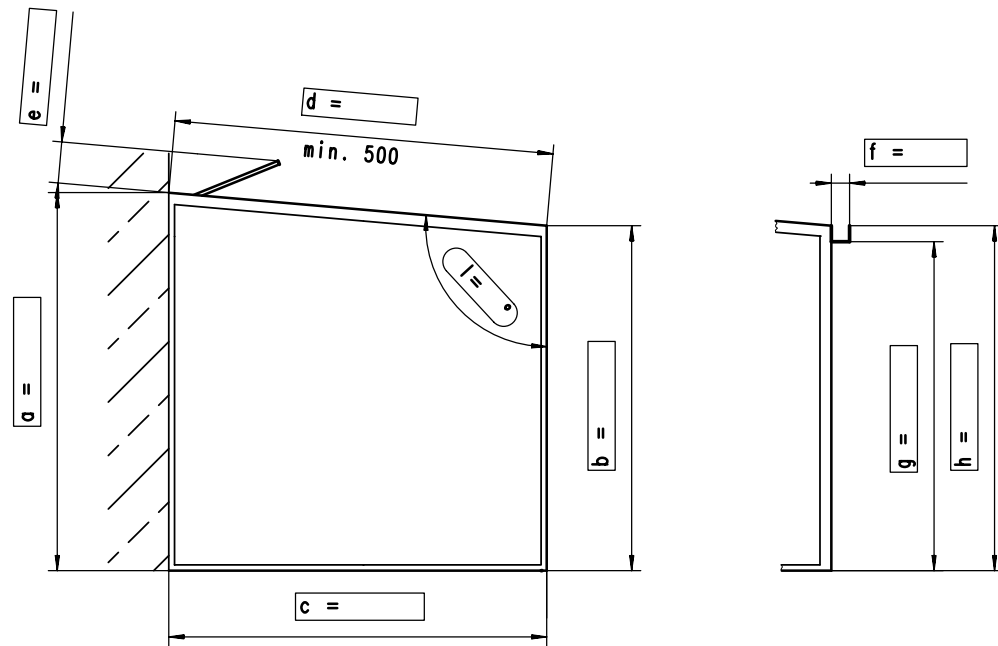


dimensions in mm

H = extension

Dimension sheet for monopitch conservatory

Orders are to be submitted with all the conservatory dimensions shown in the diagram.



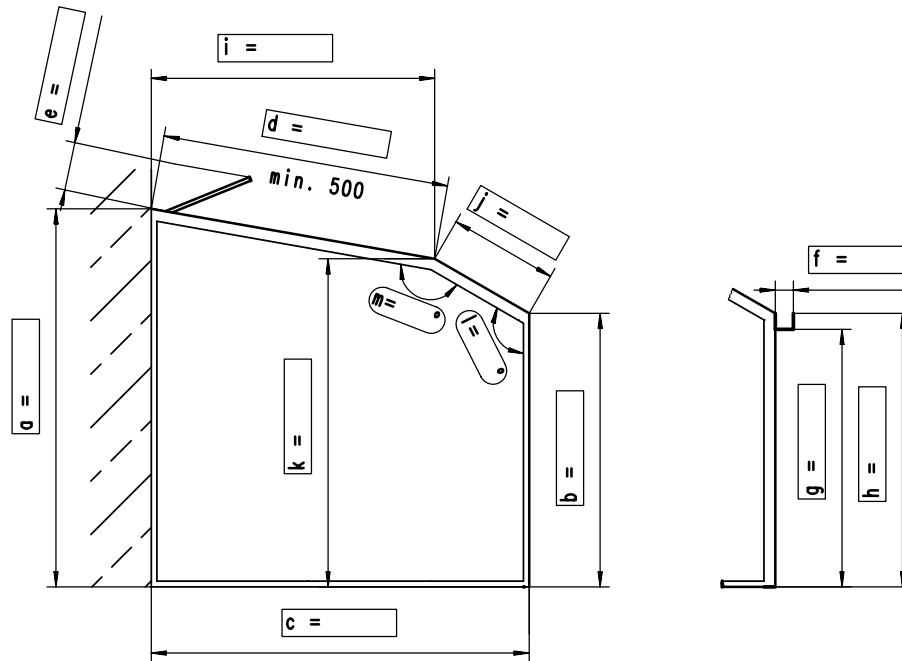
dimensions in mm

Orders will be released for production when all technical details have been clarified. You will be asked to confirm the measurements by signing off the technical drawing that we fax or mail to you.

markilux 8000 with curved front

Dimension sheet for conservatory with sun trap

Orders are to be submitted with all the conservatory dimensions shown in the diagram.



dimensions in mm

Orders will be released for production when all technical details have been clarified. You will be asked to confirm the measurements by signing off the technical drawing that we fax or mail to you.

По вопросам продаж и поддержки обращайтесь:

Архангельск (8182)63-90-72	Краснодар (861)203-40-90	Рязань (4912)46-61-64
Астана (7172)727-132	Красноярск (391)204-63-61	Самара (846)206-03-16
Белгород (4722)40-23-64	Курск (4712)77-13-04	Санкт-Петербург (812)309-46-40
Брянск (4832)59-03-52	Липецк (4742)52-20-81	Саратов (845)249-38-78
Владивосток (423)249-28-31	Магнитогорск (3519)55-03-13	Смоленск (4812)29-41-54
Волгоград (844)278-03-48	Москва (495)268-04-70	Сочи (862)225-72-31
Вологда (8172)26-41-59	Мурманск (8152)59-64-93	Ставрополь (8652)20-65-13
Воронеж (473)204-51-73	Набережные Челны (8552)20-53-41	Тверь (4822)63-31-35
Екатеринбург (343)384-55-89	Нижний Новгород (831)429-08-12	Томск (3822)98-41-53
Иваново (4932)77-34-06	Новокузнецк (3843)20-46-81	Тула (4872)74-02-29
Ижевск (3412)26-03-58	Новосибирск (383)227-86-73	Тюмень (3452)66-21-18
Казань (843)206-01-48	Орел (4862)44-53-42	Ульяновск (8422)24-23-59
Калининград (4012)72-03-81	Оренбург (3532)37-68-04	Уфа (347)229-48-12
Калуга (4842)92-23-67	Пенза (8412)22-31-16	Челябинск (351)202-03-61
Кемерово (3842)65-04-62	Пермь (342)205-81-47	Череповец (8202)49-02-64
Киров (8332)68-02-04	Ростов-на-Дону (863)308-18-15	Ярославль (4852)69-52-93

Единый адрес: mxr@nt-rt.ru **Веб-сайт:** www.markilux.nt-rt.ru