

По вопросам продаж и поддержки обращайтесь:

Архангельск (8182)63-90-72	Краснодар (861)203-40-90	Рязань (4912)46-61-64
Астана (7172)727-132	Красноярск (391)204-63-61	Самара (846)206-03-16
Белгород (4722)40-23-64	Курск (4712)77-13-04	Санкт-Петербург (812)309-46-40
Брянск (4832)59-03-52	Липецк (4742)52-20-81	Саратов (845)249-38-78
Владивосток (423)249-28-31	Магнитогорск (3519)55-03-13	Смоленск (4812)29-41-54
Волгоград (844)278-03-48	Москва (495)268-04-70	Сочи (862)225-72-31
Вологда (8172)26-41-59	Мурманск (8152)59-64-93	Ставрополь (8652)20-65-13
Воронеж (473)204-51-73	Набережные Челны (8552)20-53-41	Тверь (4822)63-31-35
Екатеринбург (343)384-55-89	Нижний Новгород (831)429-08-12	Томск (3822)98-41-53
Иваново (4932)77-34-06	Новокузнецк (3843)20-46-81	Тула (4872)74-02-29
Ижевск (3412)26-03-58	Новосибирск (383)227-86-73	Тюмень (3452)66-21-18
Казань (843)206-01-48	Орел (4862)44-53-42	Ульяновск (8422)24-23-59
Калининград (4012)72-03-81	Оренбург (3532)37-68-04	Уфа (347)229-48-12
Калуга (4842)92-23-67	Пенза (8412)22-31-16	Челябинск (351)202-03-61
Кемерово (3842)65-04-62	Пермь (342)205-81-47	Череповец (8202)49-02-64
Киров (8332)68-02-04	Ростов-на-Дону (863)308-18-15	Ярославль (4852)69-52-93

Единый адрес: mxr@nt-rt.ru **Веб-сайт:** www.markilux.nt-rt.ru

Маркизы для зимнего сада 8000 markilux

safe · timeless · beautiful



markilux 8000

The conservatory awning that uses proven technology for large glass areas



markilux 8000

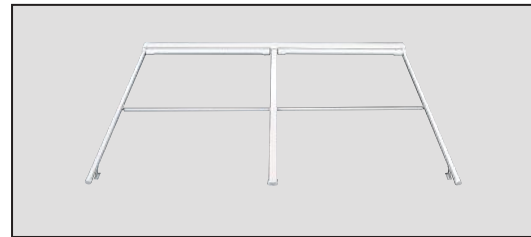
The conservatory awning that uses proven technology for large glass areas

- design features**
- the cassette profile, the guide tracks and the front profile complement one another perfectly and result in an elegant appearance down to the last detail.
 - when retracted the cover is protected from the weather by the cassette, which encloses it completely.
 - attractive, rounded end caps complete the appearance of this very compact cassette.
 - for long-lasting attractiveness the awning has been powder coated.
 - awning covers made from acrylic yarns or sunsilk SNC with self-cleaning effect.

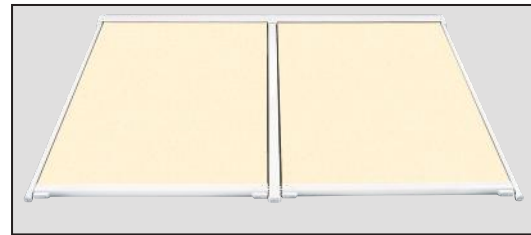
- technical highlights**
- exterior solar shading so the heat does not get into the conservatory in the first place.
 - by virtue of the especially sturdy construction areas of up to 36 m² can be covered by one unit with a single cover.
 - robust self-supporting housing with maintenance-friendly service covers
 - especially strong 95 mm roller tube with sealed swivelling bearings ensures the highest stability even at the largest widths and optimum winding up characteristics of the cover.
 - sturdy front profile made of aluminium with double cover pick-up for added safety and improved water drainage.

- optional accessories**
- radio-controlled motor with remote control for comfortable operation. markilux remote control with ergonomic design.
 - wall sealing profile to cover the gap between awning and wall.
 - markilux infra-red heater in a compact aluminium housing. Cozy warmth without warming up phase within an area of approximately 9-12 m².
 - awning available in non-standard RAL colours
 - an easily installed, radio control sun and wind sensor guarantees comfort and a degree of protection - even in your absence.

- the especially strong connection between guide tracks and cassette also allows fixture by means of the guide tracks only, without supporting the cassette
- the brushseal in the cassette protects the cover from the ingress of dirt when retracted
- in the case of fixture via the cassette bracket position can be freely chosen up to 35 cm in front of the outer edge
- the guide tracks can overhang the outermost bracket by up to 100 cm. this provides even more sun protection
- to avoid contact between cover and conservatory large extensions are supplied with one or two cover support tubes
- for fixture a very extensive selection of brackets is available
- brackets with patented clip- on system for easy, smooth awning fixture
- motor with electronic limit switching and torque cut-off mechanism to prevent damage if it hits an obstacle. (not in the case of radio-controlled motors)
- the cover is kept under optimum tension by means of two gas pistons working independently of one another
- the highly durable transportation belts ensure long-lasting, quiet operation of the awning
- the bogeys with special wheels guide the front profile and allow it to extend and retract with very little noise
- belt guide rollers with maintenance-free bearings in Teflon-coated bushes for lasting, quiet operation of the awning.
- awning made individually to your specific order so that it fits your conservatory, pergola or glass roof perfectly
- units with a width of more than 650 cm will be supplied as coupled awnings
- the awning covers are stitched on the top with UV-resistant PTFE thread



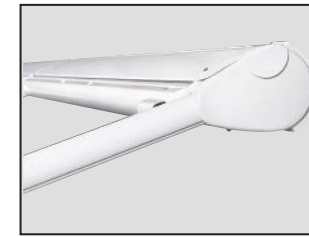
coupled unit retracted



coupled unit extended (2 fields)



self-supporting cassette



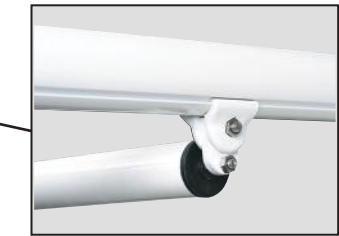
side view of the cassette



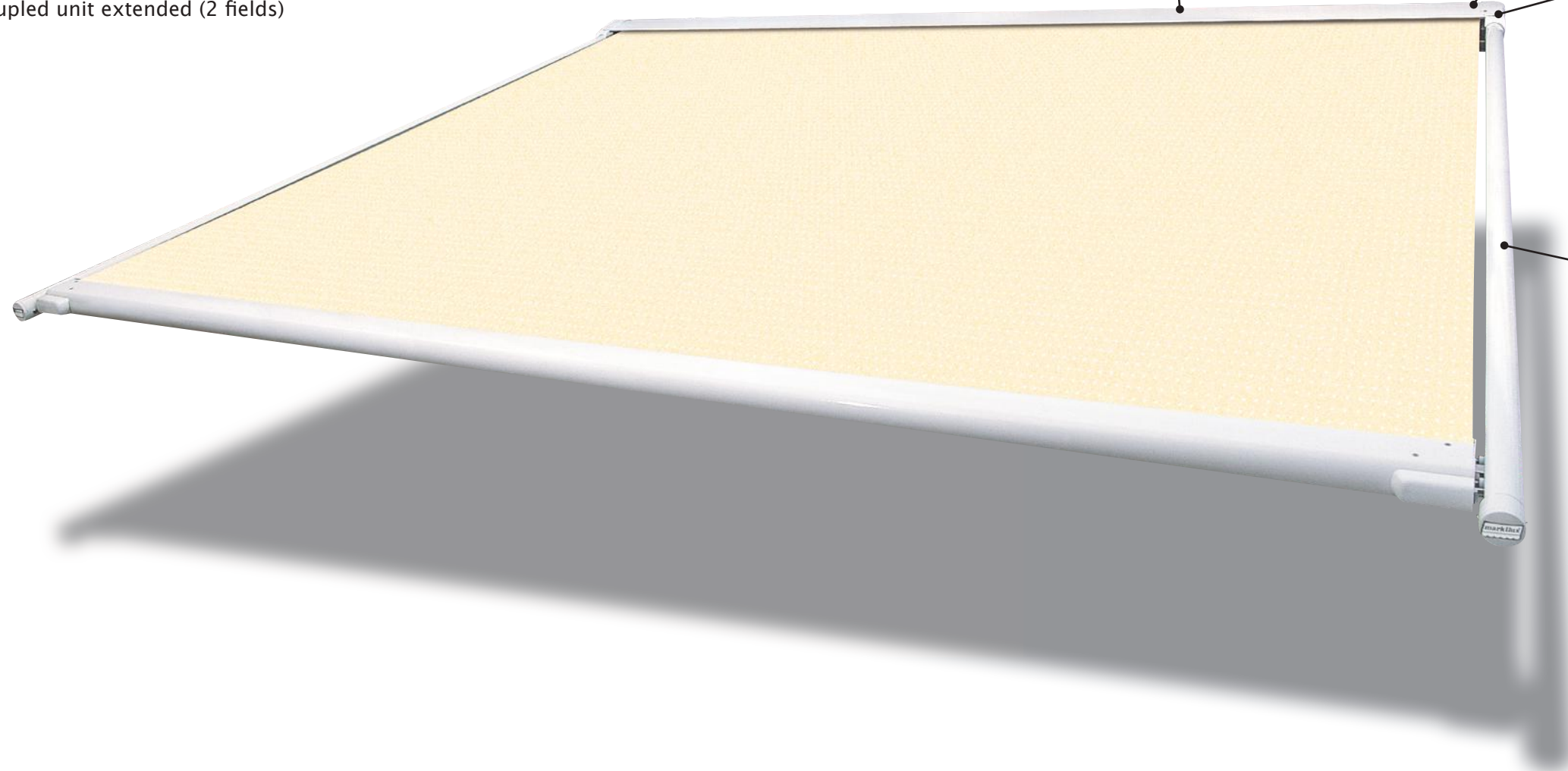
motor secreted in the roller tube



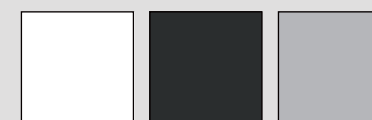
wall sealing profile (optional)



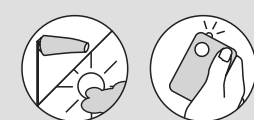
cover support tube (depending on the dimensions)



RAL colours:



optional accessories:



safe · timeless · beautiful



markilux 8000

The conservatory awning that uses proven technology to cover large glass areas

markilux

dimensions and configuration options

		single unit 1 field, 1 motor										minimum fixture width	minimum fixture width in the case of Soltis 92		
		150	200	250	300	350	400	450 ⁽⁵⁾	500 ⁽⁵⁾	550 ⁽⁵⁾	600 ⁽⁵⁾			650 ⁽⁵⁾	
overall width		+ 8	+ 8	+ 8	+ 8	+ 8	+ 8	+ 8	+ 8	+ 8	+ 8	+ 8			
extension	150												74	112	
	200												79	112	
	250												79	112	
	300												79	112	
	350											•	112	112	
	400 ⁽⁴⁾	•	•	•	•	•	•	•	•	•	•	•	•	112	112
	450 ⁽⁴⁾	•	•	•	•	•	•	•	•	•	••	••	••	112	149
	500 ⁽⁴⁾	•	•	•	•	•	•	•	•	••	••	••	••	112	149
	550 ⁽⁴⁾	•	•	•	•	•	•	•	••	••	••			112	149
	600 ⁽⁴⁾	•	•	•	•	•	•	••	••	••	••			122	149
	650 ⁽⁴⁾	•	•	•	•	•	•	••	••	••				122	149
	700 ⁽⁴⁾	••	••	••	••	••	••	••	••					122	149

- 14) From an extension of 4001 mm an additional bracket will be required per guide track (3 brackets per guide track). = available
- 15) From a fixture width of 4501 mm an additional cassette support is required (3 cassette brackets), and a central support for any cover support tube.
 • = 1 cover support tube
 •• = 2 cover support tubes
- dimensions in cm

type of shading	
for exterior use	•
for interior use	-
operation type	
radio-controlled motor	○
hard-wired motor	•
stainless steel winding handle with bayonet fitting	-
cord pulley system	-
operating staff	-
covers	
acrylic 34 (fabric series 341xx-347xx)	•
sunsilk SNC (fabric series 324xx/329xx)	•
signature (fabric series 369xx)	•
oversized acrylic (fabric series 349xx)	-
transilk FR (fabric series 319xx)	-
transolair (fabric series 339xx)	•
perfortex (fabric series 333xx)	•
perla FR (fabric series 374xx/379xx)	○
Trevira CS	-
Soltis 92	○
PVC fabric	-
miscellaneous	
wall sealing profile	○ ³
frame system markilux RS 8000	○
cover profiles for gap between tracks and cover	-
sun and wind sensor	○
coupled units	
coupled unit 2 fields	○
coupled unit 3 fields	○

- = fitted as standard
- = optional accessory
- = not available
- ³ = wall sealing profile effective up to an awning pitch of 25°

Fixture width/order width definition: The fixture width is the measurement from track centre to track centre i.e. from fixture point to fixture point on the conservatory. The overall width of the awning is 80 mm greater than the fixture width. The fixture width tolerance is +0 mm / -20 mm.

Definition of extension: the nominal extension is measured with the awning extended from the back of the cassette to the leading edge of the front profile (the tracks will extend 70 mm past this point). The tolerance in the extension is + 40 / - 40 mm.

N.B! In the case of **continuous motor usage** the motor will stop after 3 to 4 minutes to **prevent overheating**.

N.B! In contrast to hard-wired motors, **radio-controlled motors** have **no safety cut-out mechanism** if the front profile is obstructed. If this function is required in combination with radio-controlled operation, order the standard motor with an external radio receiver and an appropriate transmitter.

In the case of a **bank of awnings operating simultaneously**, equal rotation speeds of the motors cannot be guaranteed because of tolerances within the motors.

The extension time of single units with a **hard-wired motor** is approximately **11 seconds per metre**.

frame colours		
	RAL 9016 traffic white	•
	RAL 8019 grey brown	•
	RAL 9006 metallic aluminium	•
	non-standard RAL colour	○

coupled units 2 fields, 1 or 2 motors

dimension between fixture points order width	450	500	550	600	650	700	750	800	850	900	950	1000	1050	1100	1150	1200	1250	1300	
	401-450	451-500	501-550	551-600	601-650	651-700	701-750	751-800	801-850	851-900	901-950	951-1000	1001-1050	1051-1100	1101-1150	1151-1200	1201-1250	1251-1300	
overall width	+ 8	+ 8	+ 8	+ 8	+ 8	+ 8	+ 8	+ 8	+ 8	+ 8	+ 8	+ 8	+ 8	+ 8	+ 8	+ 8	+ 8	+ 8	
extension	150																		
	200																		
	250																		
	300																		
	350																	•	•
	400	•	•	•	•	•	•	•	•	•	•	•	•	•	•	•	•	•	•
	450	•	•	•	•	•	•	•	•	•	•	•	•	•	•	•	•	•	•
	500	•	•	•	•	•	•	•	•	•	•	•	•	•	•	•	•	•	•
	550	•	•	•	•	•	•	•	•	•	•	•	•	•	•	•	•	•	•
	600	•	•	•	•	•	•	•	•	•	•	•	•	•	•	•	•	•	•

coupled units 3 fields, 2 motors

dimension between fixture points order width	600	650	700	750	800	850	900	950	1000	1050	1100	1150	1200	1250	1300	1350	1400	1450	1500	1550	1600	1650	1700	1750	1800	1850	1900	1950	
	551-600	601-650	651-700	701-750	751-800	801-850	851-900	901-950	951-1000	1001-1050	1101-1150	1151-1200	1201-1250	1251-1300	1301-1350	1351-1400	1401-1450	1451-1500	1501-1550	1551-1600	1601-1650	1651-1700	1701-1750	1751-1800	1801-1850	1851-1900	1901-1950		
overall width	+ 8	+ 8	+ 8	+ 8	+ 8	+ 8	+ 8	+ 8	+ 8	+ 8	+ 8	+ 8	+ 8	+ 8	+ 8	+ 8	+ 8	+ 8	+ 8	+ 8	+ 8	+ 8	+ 8	+ 8	+ 8	+ 8	+ 8	+ 8	
extension	150																												
	200																												
	250																												
	300																												
	350																												
	400	•	•	•	•	•	•	•	•	•	•	•	•	•	•	•	•	•	•	•	•	•	•	•	•	•	•	•	•
	450	•	•	•	•	•	•	•	•	•	•	•	•	•	•	•	•	•	•	•	•	•	•	•	•	•	•	•	•
	500	•	•	•	•	•	•	•	•	•	•	•	•	•	•	•	•	•	•	•	•	•	•	•	•	•	•	•	•
	550	•	•	•	•	•	•	•	•	•	•	•	•	•	•	•	•	•	•	•	•	•	•	•	•	•	•	•	•
	600	•	•	•	•	•	•	•	•	•	•	•	•	•	•	•	•	•	•	•	•	•	•	•	•	•	•	•	•

- = 1 cover support tube
 - = 2 cover support tubes
- = available

Coupled conservatory awnings are available up to a maximum width of 3 single units (3 fields) side by side.

In the case of coupled units with 2 or 3 fields and 2 motors **unequal running speeds** due to tolerances in the motor speeds can occur.

In the case of **coupled units** with **fields of differing sizes** smooth rolling up behaviour of the covers cannot be guaranteed. Any visual anomaly will have no bearing on the functionality or durability of the cover

The above tables assume equal field widths in coupled awnings. If a coupled unit of **unequal field width** is required, for which a **cover support tube** is required on the larger awning - if only for aesthetic reasons - one should also be fitted to the smaller awning (v. table for 1 field).

In the case of coupled units **up to a fixture width of 700 cm** the **cassette** will be supplied in **one piece**. If, for transportation or fixture reasons, the cassette needs to be split, please note this explicitly on the order form.

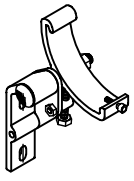

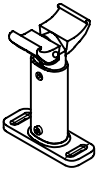
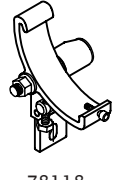

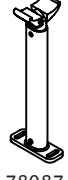
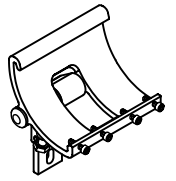
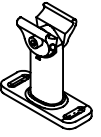
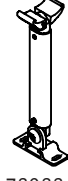
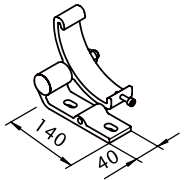
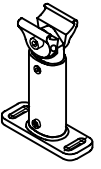
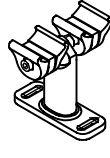
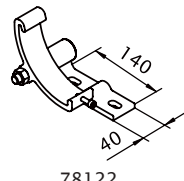
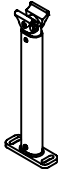
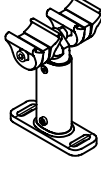
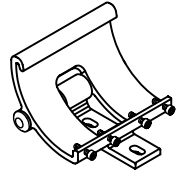
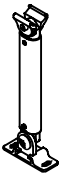
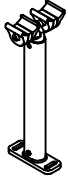
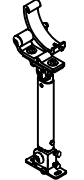
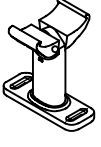
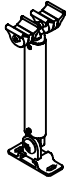
The extension time of coupled units with **2 fields, 1 Motor** and **3 fields, 2 motors** is approximately **16 seconds per metre**. In the case of coupled units with **2 fields, 2 motors** as in the case of single units it takes **11 seconds per metre** for them to extend.

In the case of **2 motors** the individual motors can be operated independently of one another.

Maximum awning size: please refer to the table for single units!

In the case of coupled units fitted **in reveals** or **between walls** the overall width must be at least 6 cm less than the reveal width so that the awnings can be coupled. Always tell us that the awning is to be fitted into a reveal and note the reveal width separately on the order.

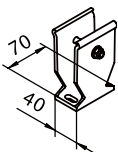
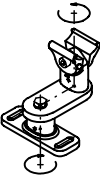
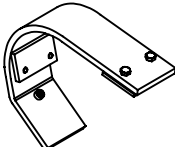
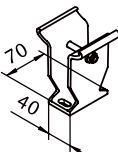
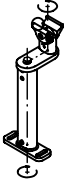
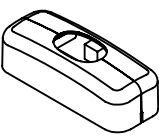
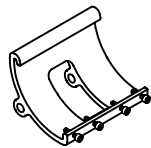
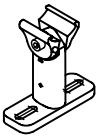
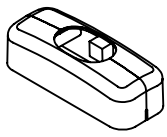
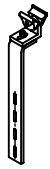
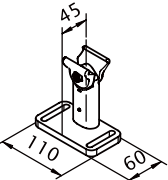
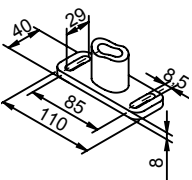



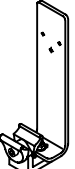
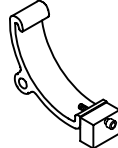
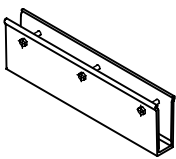
fixings and accessories

 <p>face fixture bracket assembly "left" 78117.</p>	 <p>raised cassette bracket assembly "right" 78126.</p>	 <p>coupling track bracket assembly with swivel head 140 mm 78107.</p>
 <p>face fixture bracket assembly "right" 78118.</p>	 <p>raised cassette bracket assembly coupling point 78332.</p>	 <p>coupling track bracket assembly with swivel head 100 - 500 mm 78087.</p>
 <p>cassette coupling bracket assembly wall 78330.</p>	 <p>track bracket assembly with swivel head 100 mm 78081.</p>	 <p>coupling track bracket assembly with swivel head and foot 200 - 500 mm 78088.</p>
 <p>bottom fixture bracket assembly "left" 78121.</p>	 <p>track bracket assembly with swivel head 140 mm 78105.</p>	 <p>double track bracket assembly with swivel head 100 mm 78094.</p>
 <p>bottom fixture bracket assembly "right" 78122.</p>	 <p>track bracket assembly with swivel head 100 - 500 mm 78082.</p>	 <p>double track bracket assembly with swivel head 140 mm 78108.</p>
 <p>cassette coupling bracket assembly bottom 78329.</p>	 <p>track bracket assembly with swivel head and foot 200 - 500 mm 78083.</p>	 <p>double track bracket assembly with swivel head 100 - 500 mm 78095.</p>
 <p>raised cassette bracket assembly "left" 78125.</p>	 <p>coupling track bracket assembly with swivel head 100 mm 78086.</p>	 <p>double track bracket assembly with swivel head and foot 200 - 500 mm 78096.</p>

. = insert RAL colour code no

conservatory awning markilux 8000

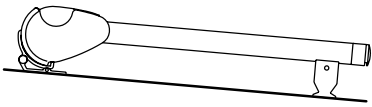
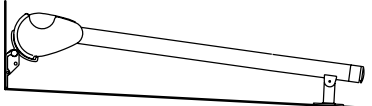


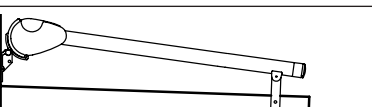


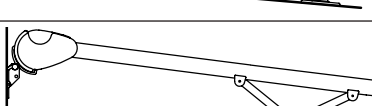
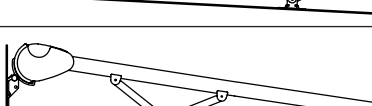
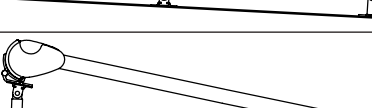
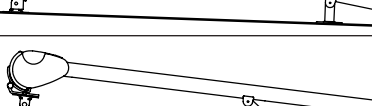
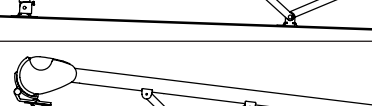
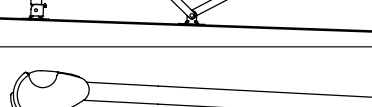
fixings and accessories

 <p>78113.</p>	<p>Single track bracket assembly for track fixture (rigid)</p>	 <p>78247.</p> <p>universal assembly track bracket</p> <p>100 mm</p>	 <p>78252.</p> <p>storm safety clip assembly</p> <p>for the housing when fitted upside down</p>
 <p>78115.</p>	<p>Coupling track bracket assembly for track fixture (rigid)</p>	 <p>78251.</p> <p>universal track bracket assembly</p> <p>140 - 500 mm</p>	 <p>76603.</p> <p>decorative cap assembly for track bracket</p> <p>in the case of: 78451., 78538., 78543.</p>
 <p>78333.</p>	<p>Coupling cassette bracket assembly for track fixture (rigid)</p>	 <p>78162.</p> <p>track bracket assembly for transom fixture</p> <p>100 mm</p>	 <p>76604.</p> <p>decorative cap assembly for track bracket</p> <p>in the case of: 78539., 78540., 78545., 78658.</p>
 <p>78085.</p>	<p>flat bracket assembly for lateral fixture with swivel head</p>	 <p>78161.</p> <p>track bracket assembly with adjustable plate</p>	 <p>fixture dimensions of swivel top track bracket</p>
 <p>78084.</p>	<p>vario-V bracket assembly for track fixture</p>	 <p>78165.</p> <p>adjustable plate for track bracket assembly</p>	
 <p>78089.</p>	<p>Vario V bracket for coupling track fixture</p>	 <p>78171.</p> <p>bracket assembly for sun/wind/rain sensor</p>	
 <p>78145.</p>	<p>cassette support assembly</p>	 <p>78252.</p> <p>track bracket for track fixture</p> <p>by the metre without fixture holes, max. length 6m</p>	

. = insert RAL colour code no

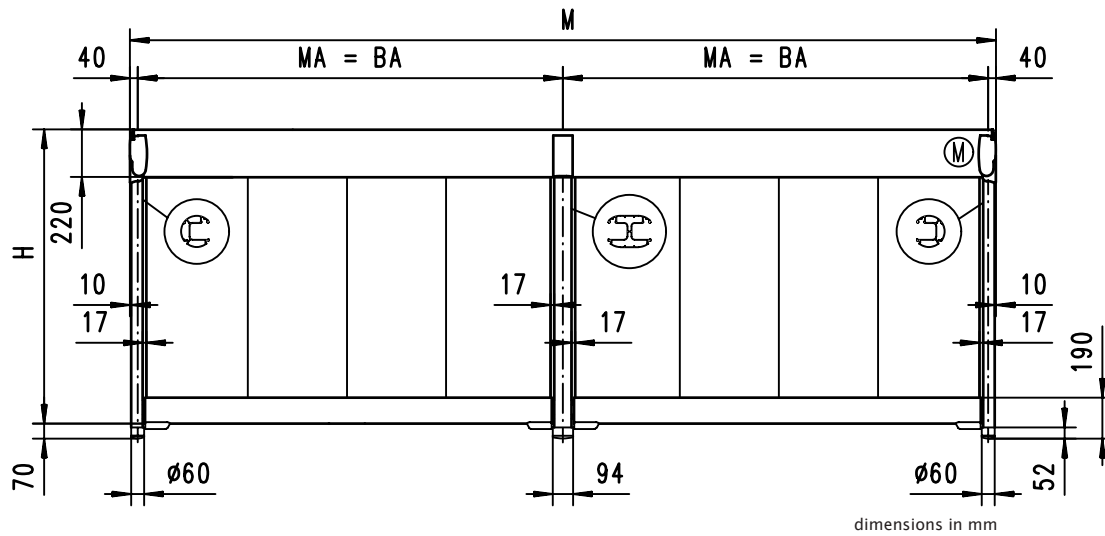
fixture combinations

all brackets incur a surcharge.

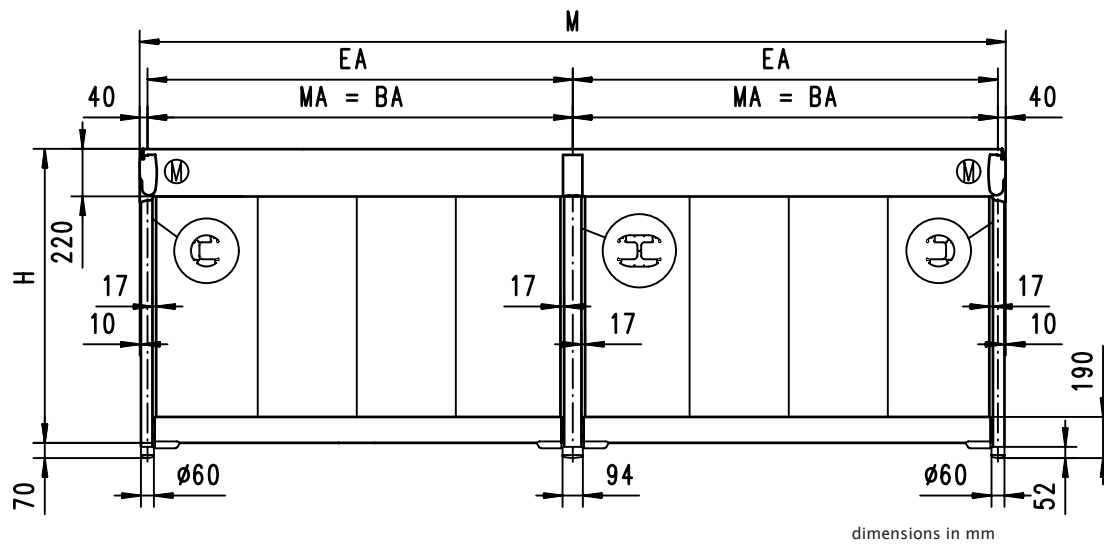
11		<ul style="list-style-type: none"> • from an extension of 4001 mm, 2 brackets per track
12		<ul style="list-style-type: none"> • only up to an extension of 4000 mm
14		<ul style="list-style-type: none"> • from an extension of 4001 mm, 2 brackets per track
21		<ul style="list-style-type: none"> • from an extension of 4001 mm, 2 brackets per track
22		<ul style="list-style-type: none"> • from an extension of 4001 mm, 2 brackets per track
31		<ul style="list-style-type: none"> • from an extension of 4001 mm, 3 brackets per track • an additional cassette support is required from a field width of 4501 mm
32		<ul style="list-style-type: none"> • from an extension of 4001 mm, 3 brackets per track • an additional cassette support is required from a field width of 4501 mm
41		<ul style="list-style-type: none"> • from an extension of 4001 mm, 2 brackets per track
51		<ul style="list-style-type: none"> • only from an extension of 4001 mm
61		<ul style="list-style-type: none"> • only up to an extension of 4000 mm • diagonal tensioners are recommended
71		<ul style="list-style-type: none"> • from an extension of 4001 mm, 2 brackets per track • diagonal tensioners are recommended
81		<ul style="list-style-type: none"> • only from an extension of 4001 mm • diagonal tensioners are recommended
91		<ul style="list-style-type: none"> • from an extension of 4001 mm, 2 brackets per track
00	<p>individual bracket selection - v. fixing brackets and accessories. Please note the minimum quantity in accordance with the width and extension!</p>	

fixture dimensions

coupled unit 2 fields, 1 motor



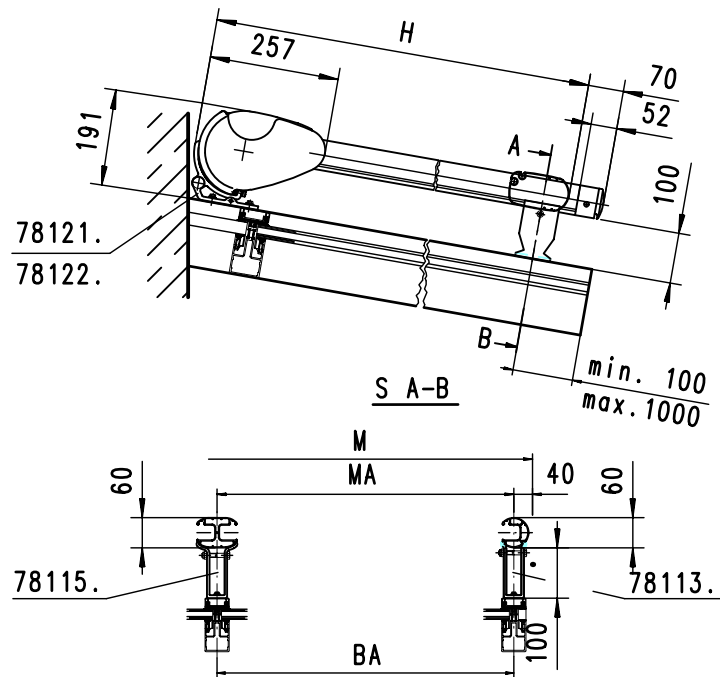
coupled unit 2 fields, 2 motors



M = overall awning width
 EA = single unit
 H = extension
 MA = awning width between fixture points = fixture width = order width
 BA = fixture width

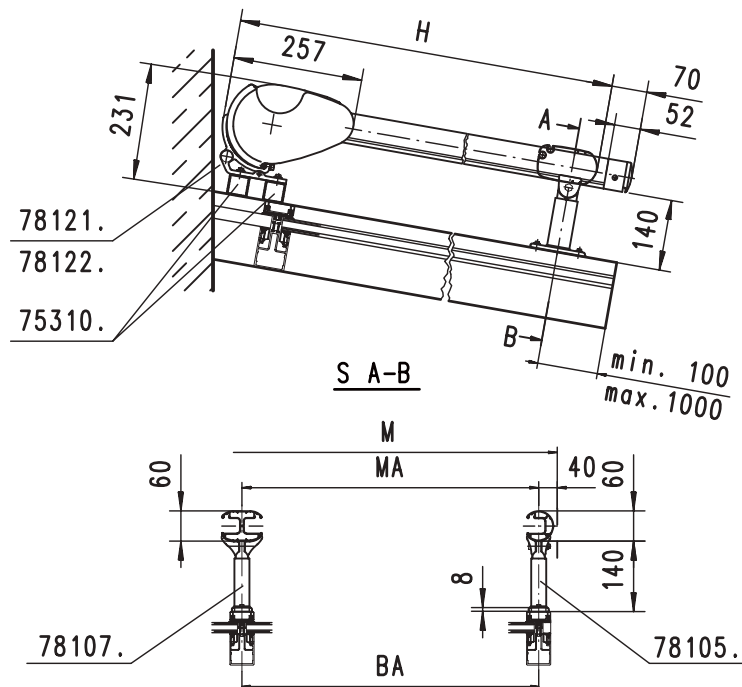
fixture dimensions

Fixture combination 11, bottom fixture



dimensions in mm

Fixture combination 91, bottom fixture to torque bars

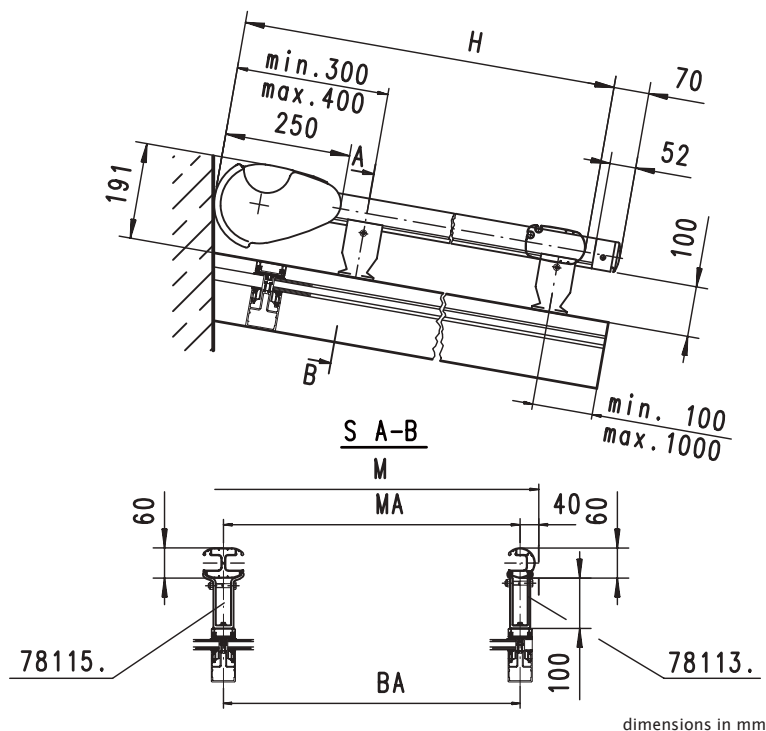


dimensions in mm

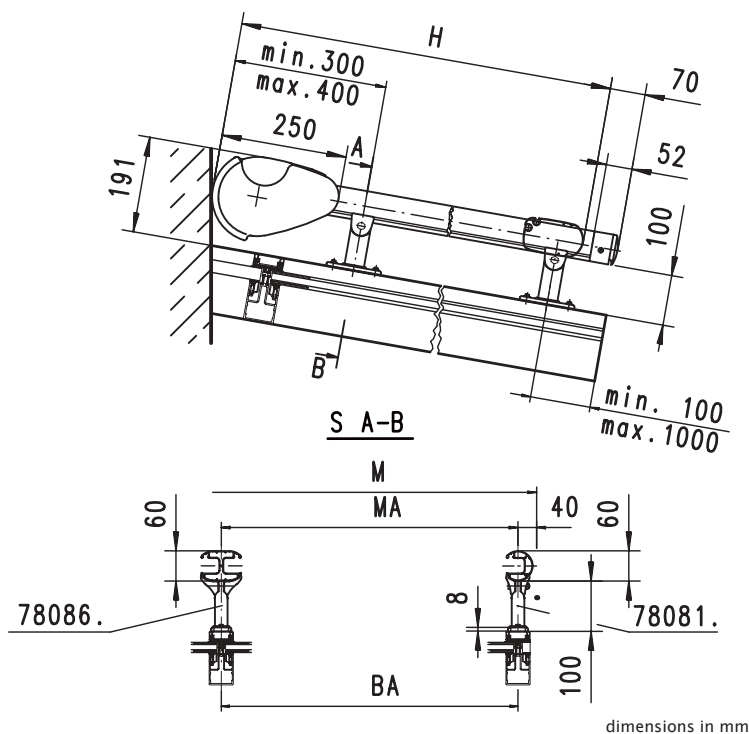
- H = extension
- M = overall awning width
- MA = awning width between fixture points = fixture width
- BA = fixture width
- S = section
- 78105.: up to an extension of 4000 mm 1 pc per track, from an extension of 4001 mm 2 pcs per track
- 78107.: up to an extension of 4000 mm 1 pc per track, from an extension of 4001 mm 2 pcs per track
- 78113.: up to an extension of 4000 mm 1 pc per track, from an extension of 4001 mm 2 pcs per track
- 78115.: up to an extension of 4000 mm 2 pc per track, from an extension of 4001 mm 3 pcs per track

fixture dimensions

Fixture combination 31, track fixture (from a field width of 4501 mm an additional cassette support is required in the centre)



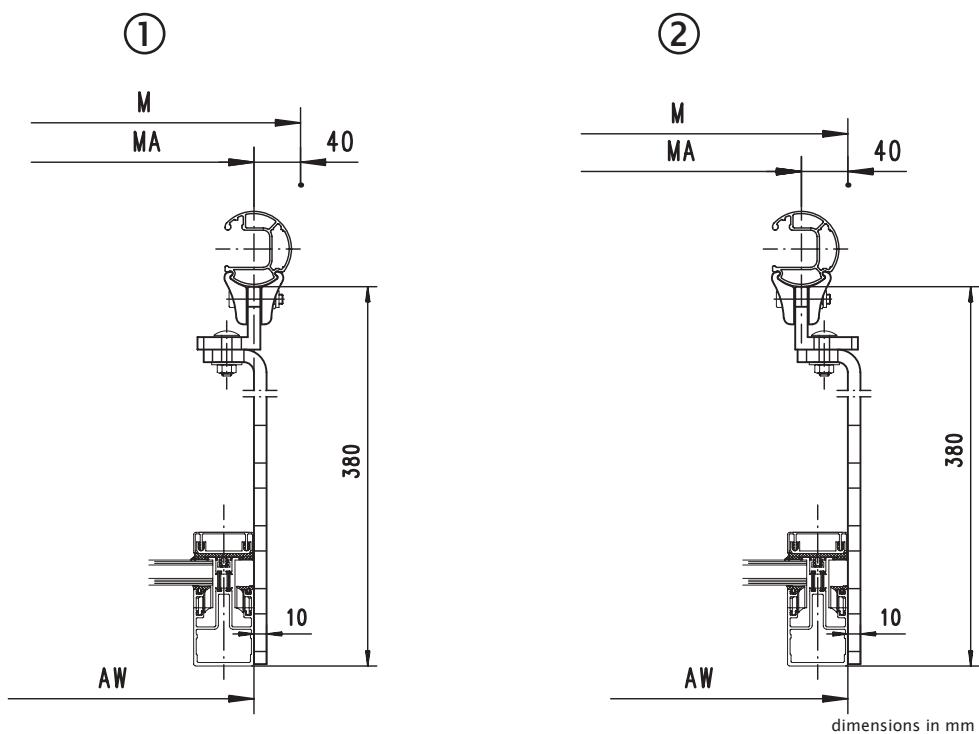
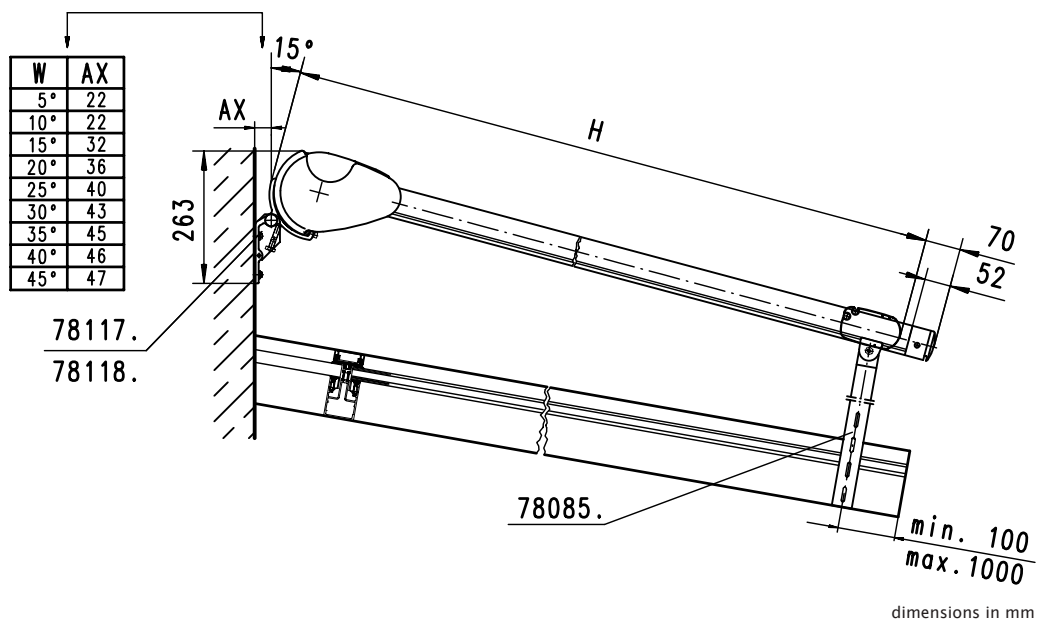
Fixture combination 32, track fixture (from a field width of 4501 mm an additional cassette support is required in the centre)



- H = extension
- M = overall awning width
- MA = awning width between fixture points = fixture width
- BA = fixture width
- S = section
- 78115.: up to an extension of 4000 mm 1 pc per track, from an extension of 4001 mm 2 pcs per track
- 78113.: up to an extension of 4000 mm 1 pc per track, from an extension of 4001 mm 2 pcs per track
- 78086.: up to an extension of 4000 mm 1 pc per track, from an extension of 4001 mm 2 pcs per track
- 78081.: up to an extension of 4000 mm 1 pc per track, from an extension of 4001 mm 2 pcs per track

fixture dimensions

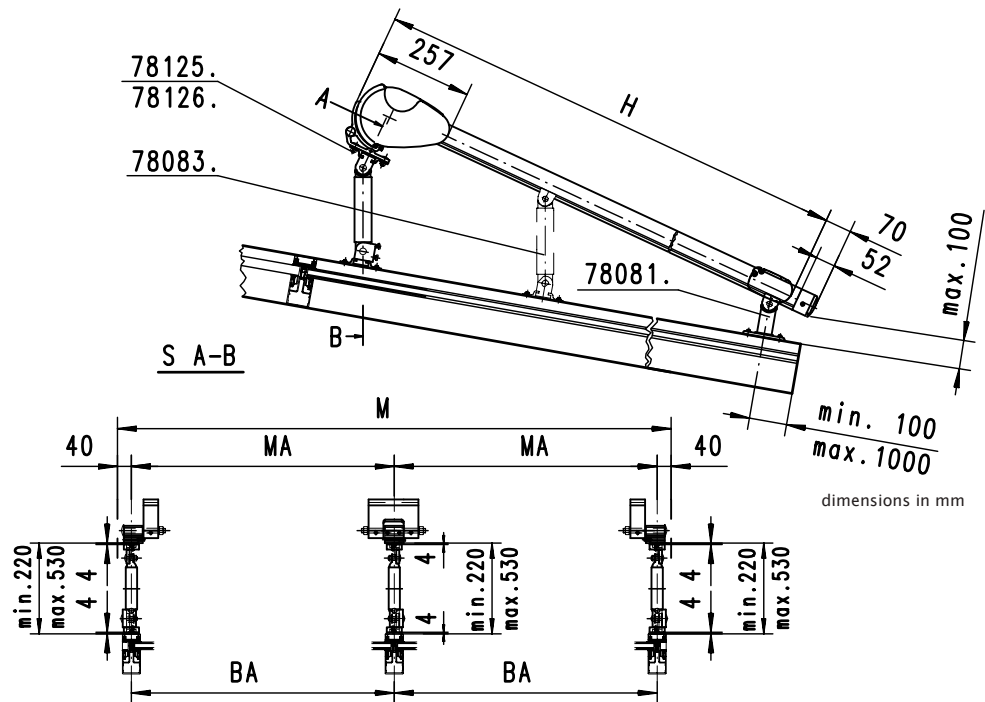
Fixture combination 22, face fixture with flat bracket for lateral fixture



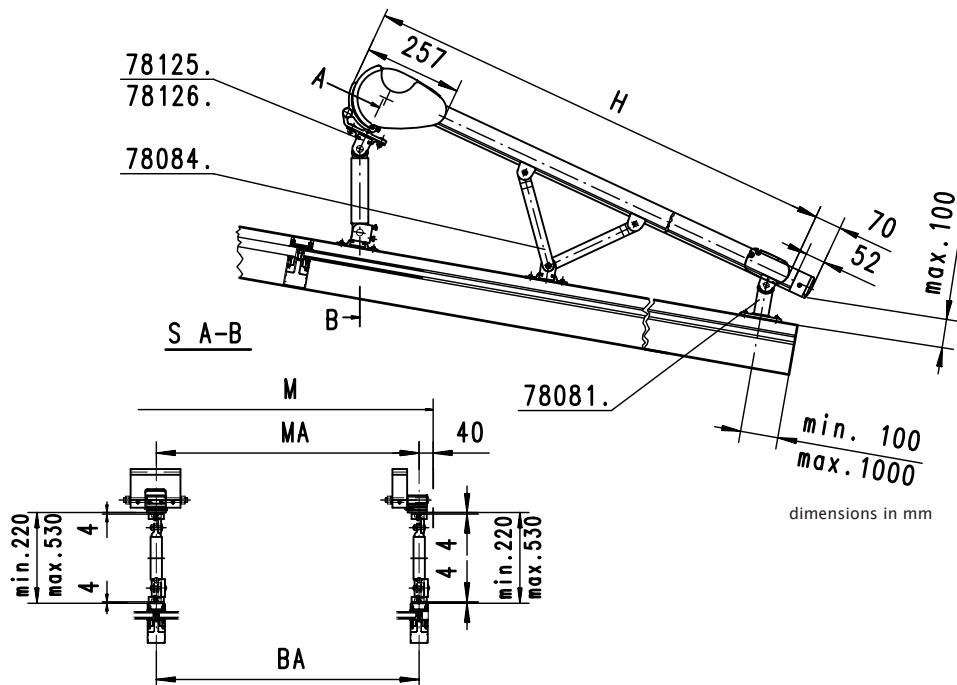
W = face fixture
 AX = distance cassette - wall
 H = extension
 M = overall awning width
 MA = awning width between fixture points = fixture width
 AW = overall conservatory width
 78085.: up to an extension of 4000 mm 1 pc per track, from an extension of 4001 mm 2 pcs per track

fixture dimensions

Fixture combination 61, raised bottom cassette fixture



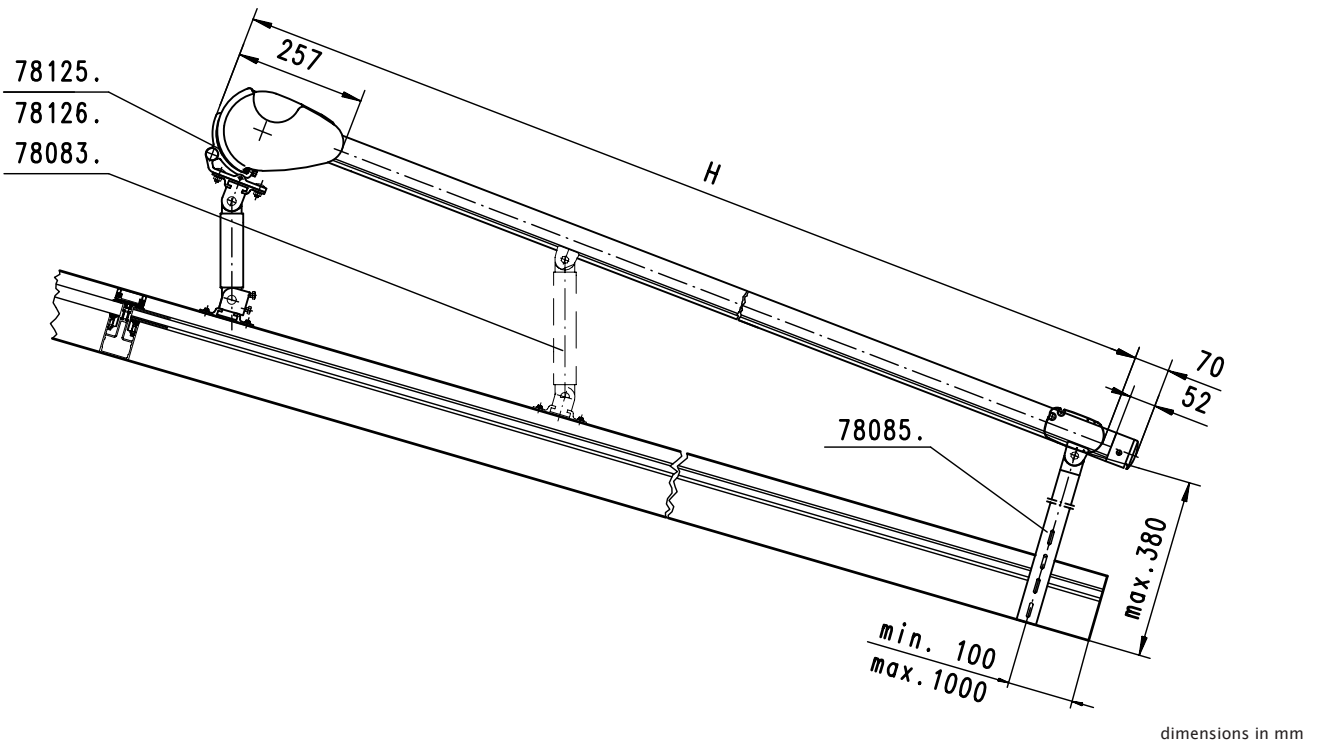
Fixture combination 61, raised bottom cassette fixture for awnings with an extension 4000 mm using vario-V brackets



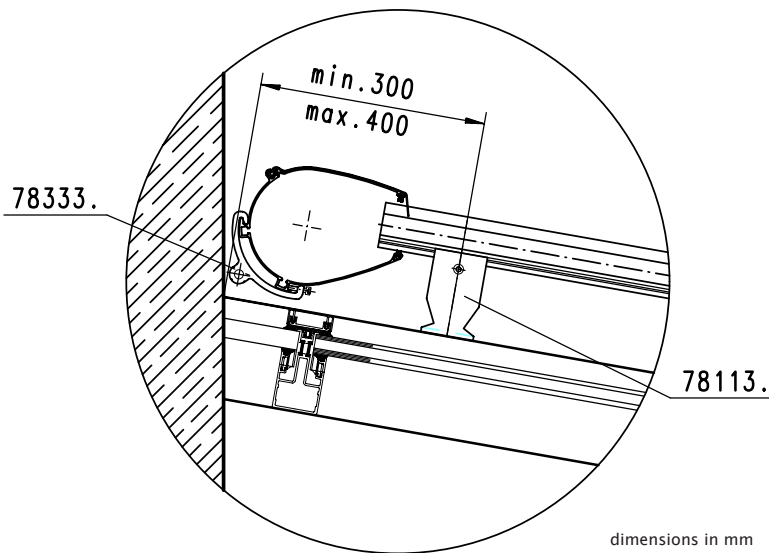
H = extension
M = overall awning width
MA = awning width between fixture points = fixture width
BA = fixture width
S = section
78083.: from an extension of 4001 mm; 1 additional per track

fixture dimensions

Combined Fixture Method



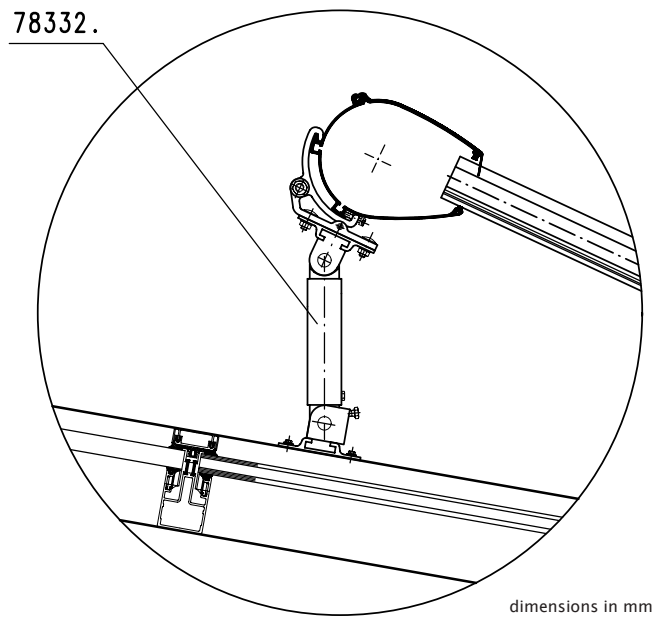
Track fixture for 2 fields using coupling bracket



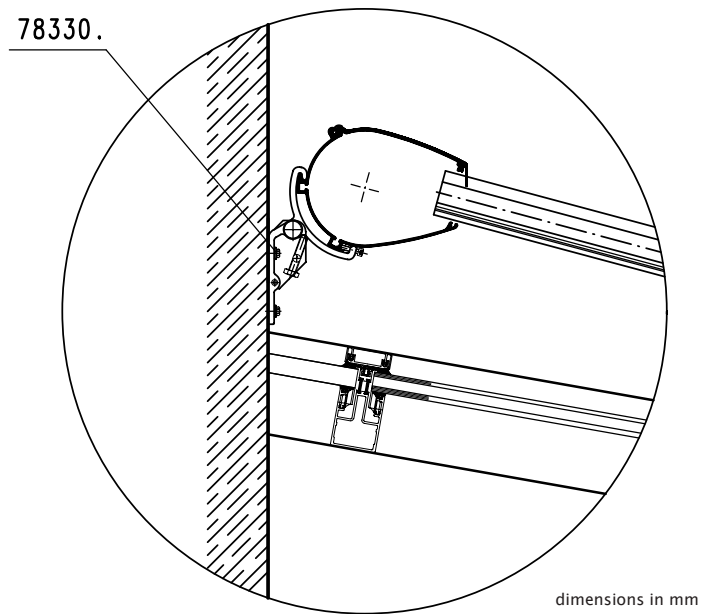
H = extension
78083.: from an extension of 4001 mm; 1 additional per track

fixture dimensions

Raised bottom fixture using a coupling bracket

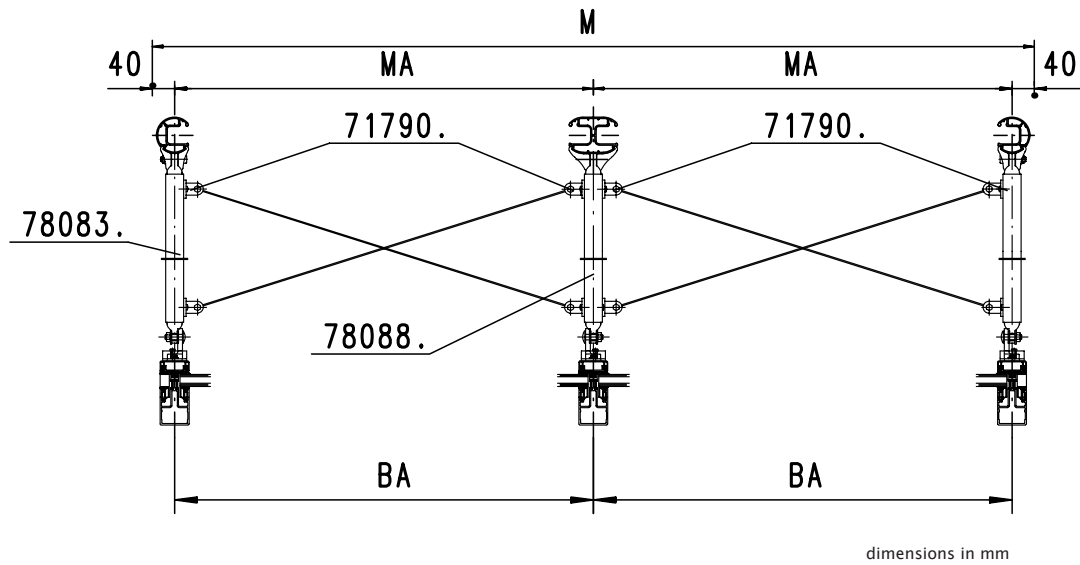


Face fixture using a coupling bracket

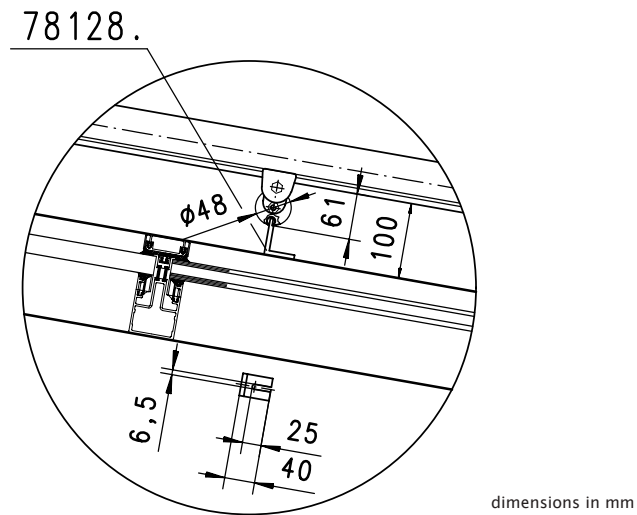


fixture dimensions

Diagonal tensioning for raised bottom fixture



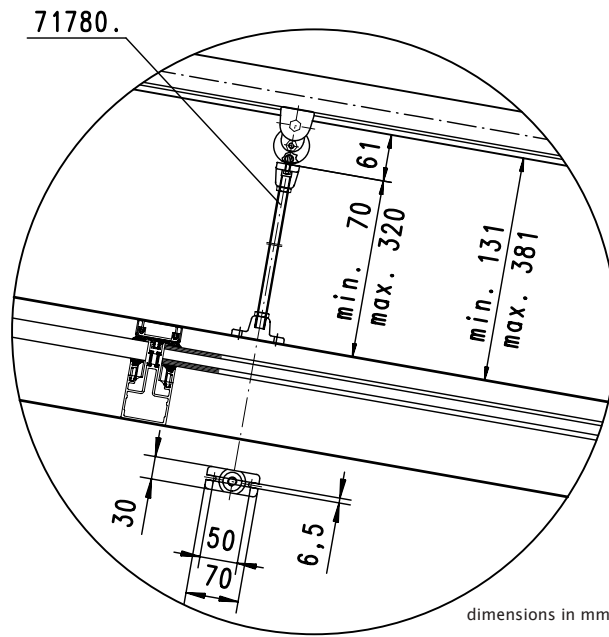
Angled Support, 100 mm



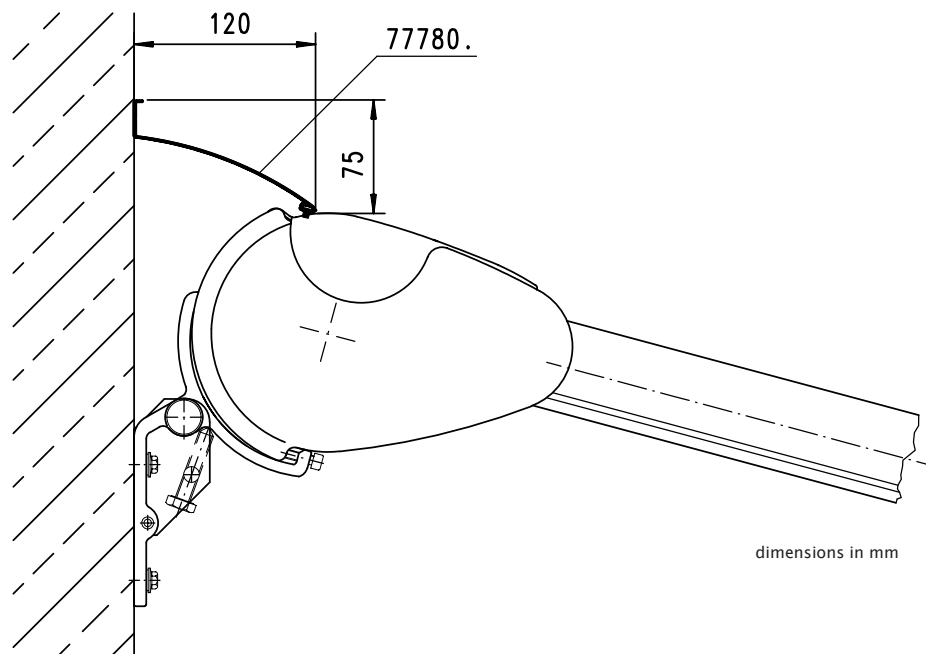
M = overall awning width
MA = awning width between fixture points = fixture width
BA = fixture width

fixture dimensions

Adjustable support



Face fixture with wall sealing profile



77780.: wall sealing profile effective up to max. pitch of 25°

По вопросам продаж и поддержки обращайтесь:

Архангельск (8182)63-90-72	Краснодар (861)203-40-90	Рязань (4912)46-61-64
Астана (7172)727-132	Красноярск (391)204-63-61	Самара (846)206-03-16
Белгород (4722)40-23-64	Курск (4712)77-13-04	Санкт-Петербург (812)309-46-40
Брянск (4832)59-03-52	Липецк (4742)52-20-81	Саратов (845)249-38-78
Владивосток (423)249-28-31	Магнитогорск (3519)55-03-13	Смоленск (4812)29-41-54
Волгоград (844)278-03-48	Москва (495)268-04-70	Сочи (862)225-72-31
Вологда (8172)26-41-59	Мурманск (8152)59-64-93	Ставрополь (8652)20-65-13
Воронеж (473)204-51-73	Набережные Челны (8552)20-53-41	Тверь (4822)63-31-35
Екатеринбург (343)384-55-89	Нижний Новгород (831)429-08-12	Томск (3822)98-41-53
Иваново (4932)77-34-06	Новокузнецк (3843)20-46-81	Тула (4872)74-02-29
Ижевск (3412)26-03-58	Новосибирск (383)227-86-73	Тюмень (3452)66-21-18
Казань (843)206-01-48	Орел (4862)44-53-42	Ульяновск (8422)24-23-59
Калининград (4012)72-03-81	Оренбург (3532)37-68-04	Уфа (347)229-48-12
Калуга (4842)92-23-67	Пенза (8412)22-31-16	Челябинск (351)202-03-61
Кемерово (3842)65-04-62	Пермь (342)205-81-47	Череповец (8202)49-02-64
Киров (8332)68-02-04	Ростов-на-Дону (863)308-18-15	Ярославль (4852)69-52-93

Единый адрес: mxr@nt-rt.ru **Веб-сайт:** www.markilux.nt-rt.ru