

**По вопросам продаж и поддержки обращайтесь:**

Архангельск (8182)63-90-72	Краснодар (861)203-40-90	Рязань (4912)46-61-64
Астана (7172)727-132	Красноярск (391)204-63-61	Самара (846)206-03-16
Белгород (4722)40-23-64	Курск (4712)77-13-04	Санкт-Петербург (812)309-46-40
Брянск (4832)59-03-52	Липецк (4742)52-20-81	Саратов (845)249-38-78
Владивосток (423)249-28-31	Магнитогорск (3519)55-03-13	Смоленск (4812)29-41-54
Волгоград (844)278-03-48	Москва (495)268-04-70	Сочи (862)225-72-31
Вологда (8172)26-41-59	Мурманск (8152)59-64-93	Ставрополь (8652)20-65-13
Воронеж (473)204-51-73	Набережные Челны (8552)20-53-41	Тверь (4822)63-31-35
Екатеринбург (343)384-55-89	Нижний Новгород (831)429-08-12	Томск (3822)98-41-53
Иваново (4932)77-34-06	Новокузнецк (3843)20-46-81	Тула (4872)74-02-29
Ижевск (3412)26-03-58	Новосибирск (383)227-86-73	Тюмень (3452)66-21-18
Казань (843)206-01-48	Орел (4862)44-53-42	Ульяновск (8422)24-23-59
Калининград (4012)72-03-81	Оренбург (3532)37-68-04	Уфа (347)229-48-12
Калуга (4842)92-23-67	Пенза (8412)22-31-16	Челябинск (351)202-03-61
Кемерово (3842)65-04-62	Пермь (342)205-81-47	Череповец (8202)49-02-64
Киров (8332)68-02-04	Ростов-на-Дону (863)308-18-15	Ярославль (4852)69-52-93

**Единый адрес:** [mxr@nt-rt.ru](mailto:mxr@nt-rt.ru) **Веб-сайт:** [www.markilux.nt-rt.ru](http://www.markilux.nt-rt.ru)

**Маркизы для зимнего сада 780/880 markilux**



## *markilux* 780/880

Remarkably small yet strong conservatory awnings  
for small glass areas both on the interior and the exterior



# **markilux 780/880**

Remarkably small yet strong conservatory awnings  
for small glass areas both on the interior and the exterior

## **design features**

- compact cassette profile made of extruded aluminium  
the square cassette is only 95 mm in height
- with their small, rounded profiles it remains discreet and unobtrusive
- when retracted the cover is protected from the weather by the cassette, which encloses it completely.
- for long-lasting attractiveness the awning has been powder coated.
- In the case of manual operation with a markilux stainless steel winding handle - quality to get to grips with

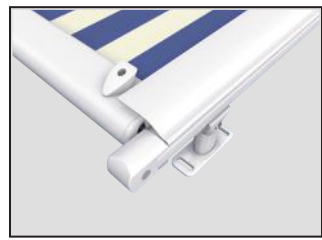
## **technical highlights**

- applicable both as internal and external shading
- in the case of the round cassette: extremely solid, stainless steel side plate sheathed in plastic and powder coated
- the guide tracks can overhang the outermost bracket by up to 80 cm so providing additional shade
- special vario-belts provide optimum cover tension when the awning is completely extended.
- awning pre-assembled and tested completely at the factory

## **optional accessories**

- hard-wired motor drive (optionally with automatic controls) for simple, relaxed operation.
- radio-controlled motor with remote control for comfortable operation. markilux remote control with ergonomic design.
- markilux infra-red heater in a compact, aluminium housing. Cozy warmth without any heating up phase within an area of 9 - 12 m<sup>2</sup>.
- awning available in non-standard RAL colours
- an easily installed, radio control sun and wind sensor guarantees comfort and a degree of protection - even in your absence.

- Awning covers made of acrylic fabric or sunsilk snc with self-cleaning effect
- The cover joints are bonded to give a neater appearance without unsightly stitching
- To avoid contact between the cover and the conservatory, large extensions are supplied with one or two cover support tubes depending on size
- Brackets with patented clip-on mechanism for easy, problem-free awning fixture
- To assist with fixture a very extensive selection of brackets is available
- Individual, made-to-measure manufacture so the shading fits your conservatory or your canopy perfectly.



gap cover profile (optional)



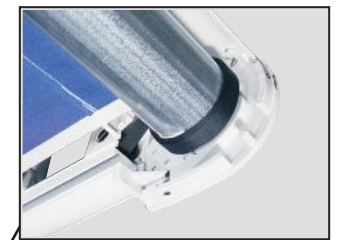
side view with manual operation (picture without winding handle)



side view of the markilux 880



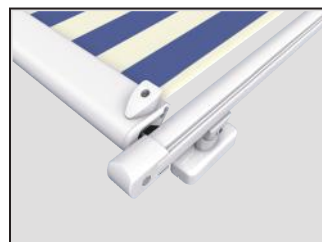
side view of the markilux 780



motor secreted in the roller tube



guide track and front profile



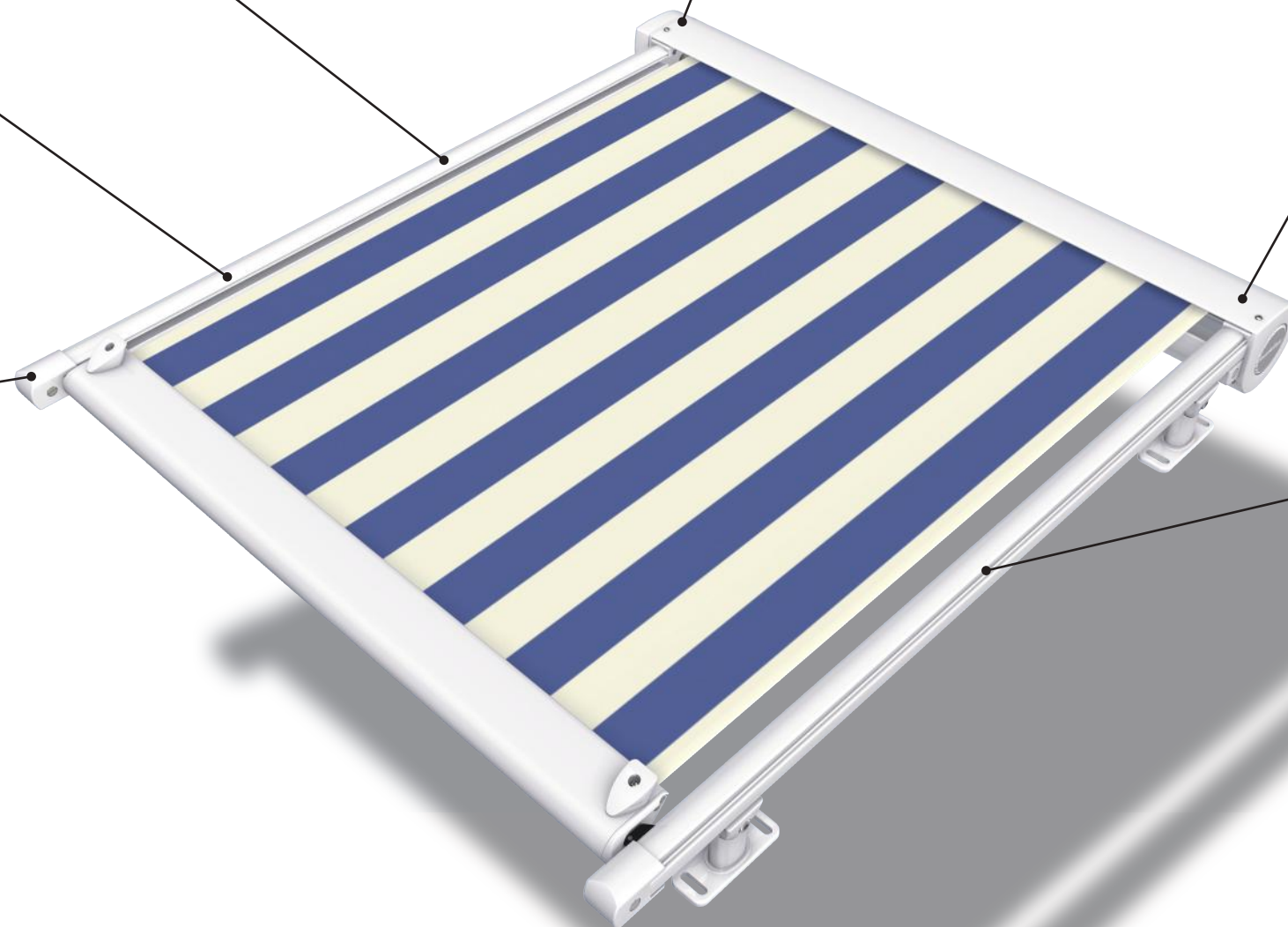
decoration cap for track brackets (optional)



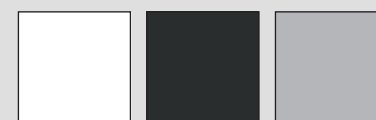
brush seal protects the retracted cover against soiling



a cover support tube is fitted to larger units



RAL colours:



optional accessories:





safe · timeless · beautiful



## ***markilux*** 780/880

Remarkably small yet strong conservatory awnings  
for small glass areas both on the interior and the exterior

***markilux***

dimensions and configuration options

		single unit										minimum fixture width		
		75	100	125	165	205	245	285	325	350 <sup>40</sup>	375 <sup>40</sup>	400 <sup>40</sup>	hard-wired motor/ gearbox	radio-controlled motor
		62-75	76-100	101-125	126-165	166-205	206-245	246-285	286-325	326-350	351-375	376-400		
	overall width motor operation	+ 5	+ 5	+ 5	+ 5	+ 5	+ 5	+ 5	+ 5	+ 5	+ 5	+ 5		
	overall width gearbox operation	+ 8	+ 8	+ 8	+ 8	+ 8	+ 8	+ 8	+ 8	+ 8	+ 8	+ 8		
extension	150												62	76
	200									•	•	•	62	76
	250 <sup>35)</sup>									•	••	••	62	76
	300 <sup>30) 32)</sup>					•	•	•	•	••	••		62	76
	350 <sup>36) 37) 30)</sup>	•	•	•	•	•	•	•	••	••			62	76
	400 <sup>36) 37) 30)</sup>	•	•	•	•	•	•	••	••				62	76

dimensions in cm

- 30) the square cassette (markilux 7xx) is only available in acrylic widely woven oversized material, transolair, sunsilk or Soltis 92 from a unit height of 251 cm and sunsilk only up to a unit height of 300 cm
- 32) sunsilk is available up to a maximum unit width of 300 cm
- 35) in the case of Soltis 92 a cover support tube will be supplied from an extension of 201 cm
- 36) in the case of Soltis 92 2 cover support tubes will be supplied from an extension of 301 cm
- 37) from an extension of 301 cm, 3 brackets per track
- 41) additional support for the cover support tube(s)

- = available with a minimum bracket height of 80 mm (fixture method 20)
- = available with a minimum bracket height of 100 mm (fixture method 21)
- = available with a minimum bracket height of 140 mm (fixture method 22)
- = 1 cover support tube
- = 2 cover support tubes

type of shading	
for exterior use	•
for interior use	○
operation type	
radio-controlled motor	○
motor	○
stainless steel winding handle with bayonet fitting	•
cord pulley system	-
operating staff	-
covers	
acrylic 34 (fabric series 341xx-347xx)	○ <sup>5)</sup>
sunsilk SNC (fabric series 324xx/329xx)	○
signature (fabric series 369xx)	○
oversized acrylic (fabric series 349xx)	•
transilk FR (fabric series 319xx)	○
transolair (fabric series 339xx)	○
perfortex (fabric series 333xx)	○
perla FR (fabric series 374xx/379xx)	○
Trevira CS	-
SOLTIS 92	○ <sup>8)</sup>
PVC fabric	-
miscellaneous	
wall sealing profile	-
frame system markilux RS 8000	○
cover profiles for gap between tracks and cover	○
sun and wind sensor	○
coupled units	
coupled unit 2 fields	-
coupled unit 3 fields	-

- = fitted as standard
- = optional accessory
- = not available
- <sup>5)</sup> = cover seamless, from an awning width of 261 cm and a unit height of 251 cm with horizontal seams
- <sup>8)</sup> = cover seamless, from a fixture width of 179 cm and a unit height of 171 cm with horizontal seams





**Definition of fixture/order width:** the width noted on the order should be the fixture width of the unit i.e. the distance between the two fixture points on the conservatory. The overall width is larger than the fixture width (v. matrix). The tolerance in the width is +0 / -10 mm.

**Definition of extension:** the nominal extension is measured with the awning extended from the back of the cassette to the leading edge of the front profile (the tracks will extend 60 mm past this point). The tolerance in the extension is + 20 / - 20 mm.

**N.B!** In the case of **continuous motor usage** the motor will stop after 3 to 4 minutes to **prevent overheating**.

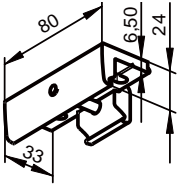
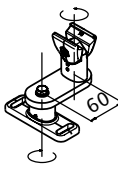
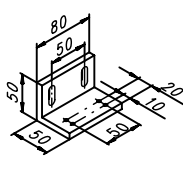
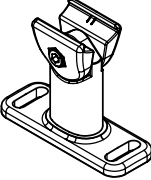
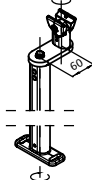
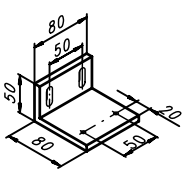
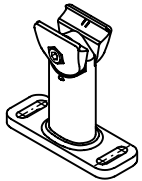
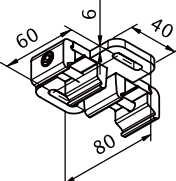
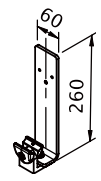
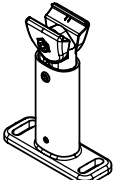
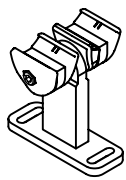
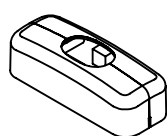

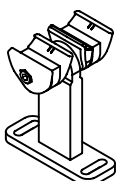
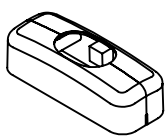

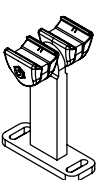
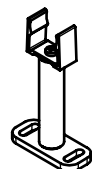
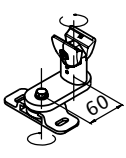

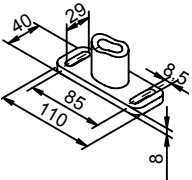
**Definition of the operation side:** The operation side is right or left as seen from the outside.

Extension with a **hard-wired motor** takes approx. **12 seconds per metre**, with a **radio-controlled motor** approx. **10 seconds per metre**, in the case of manual operation **18 winding handle rotations per metre**.

frame colours		
	RAL 9016 traffic white	•
	RAL 8019 grey brown	•
	RAL 9006 metallic aluminium	•
	non-standard RAL colour	○

# conservatory awning markilux 780/880


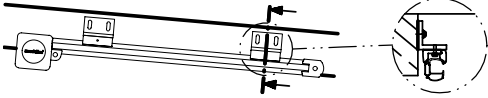
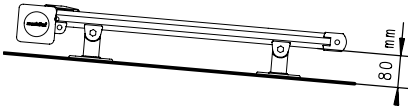
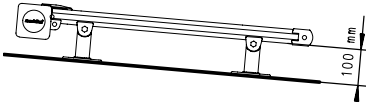
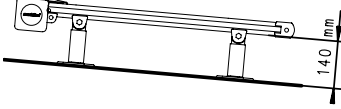

## fixings and accessories

 <p>flat track bracket</p> <p>78548.</p>	 <p>universal track bracket 100 mm</p> <p>78543.</p>	 <p>Angled bracket for bearing or motor side, fixture method 15 (for markilux 869/889 and for gearbox operation) 50 x 50 x 80 mm (fixture between beams, walls etc.)</p> <p>78719.</p>
 <p>track bracket with swivel top 80 mm</p> <p>78451.</p>	 <p>universal track bracket 140 - 500 mm</p> <p>78545.</p>	 <p>Angled bracket for gearbox side, fixture method 15 80 x 50 x 80 mm (fixture between beams, walls etc.)</p> <p>78720.</p>
 <p>track bracket with swivel top 100 mm</p> <p>78538.</p>	 <p>double flat track bracket 2 single units</p> <p>78671.</p>	 <p>bracket for sun, wind and rain sensor</p> <p>78547.</p>
 <p>track bracket with swivel top 140 mm</p> <p>78539.</p>	 <p>double track bracket with swivel top 80 mm 2 single units</p> <p>78654.</p>	 <p>decorative cap assembly for track bracket in the case of: 78451., 78538., 78543.</p> <p>76603.</p>
 <p>track bracket with swivel top 100 - 500 mm</p> <p>78540.</p>	 <p>double track bracket with swivel top 100 mm 2 single units</p> <p>78658.</p>	 <p>decorative cap assembly for track bracket in the case of: 78539., 78540., 78545., 78658.</p> <p>76604.</p>
 <p>flat bracket assembly for lateral fixture with swivel head</p> <p>78546.</p>	 <p>double track bracket with swivel top 140 mm 2 single units</p> <p>78683.</p>	 <p>cover support tube support assembly if the fixture width is larger or equal to 3251 mm</p> <p>78679.</p>
 <p>universal-track bracket 80 mm</p> <p>78542.</p>	 <p>double track bracket with swivel top 140 - 500 mm, 2 single units</p> <p>78685.</p>	 <p>Fixing dimensions of adjustable track bracket</p>

. = insert RAL colour code no

**ixture combinations markilux 780/880**

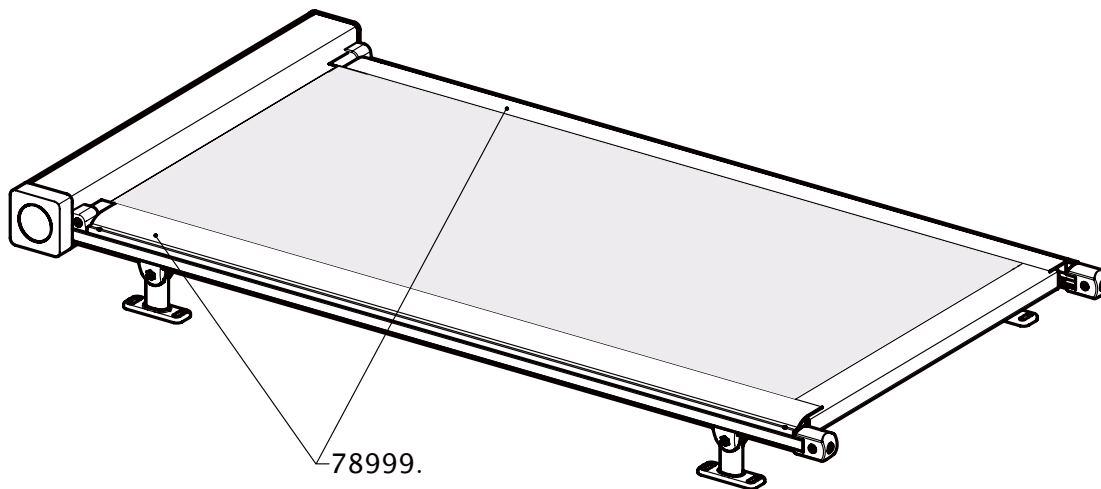
all brackets incur a surcharge.

10		<ul style="list-style-type: none"> <li>• without cover support tube</li> <li>• cover may sag during extension and retraction (approx. 350 mm)</li> <li>• no cover for the cassette / front profile (to prevent water ingress when the awning is closed)</li> </ul>
15		<ul style="list-style-type: none"> <li>• from an extension of 3001 mm, 3 brackets per track</li> <li>• without cover support tube</li> <li>• cover may sag during extension and retraction (approx. 350 mm)</li> <li>• no cover for the cassette / front profile (to prevent water ingress when the awning is closed)</li> </ul>
20		<ul style="list-style-type: none"> <li>• from an extension of 3001 mm, 3 brackets per track</li> </ul>
21		<ul style="list-style-type: none"> <li>• from an extension of 3001 mm, 3 brackets per track</li> </ul>
22		<ul style="list-style-type: none"> <li>• from an extension of 3001 mm, 3 brackets per track</li> </ul>
30		<ul style="list-style-type: none"> <li>• from an extension of 3001 mm, 3 brackets per track</li> </ul>
00	<p>individual bracket selection - v. fixing brackets and accessories. Please note the minimum quantity in accordance with the width and extension!</p>	

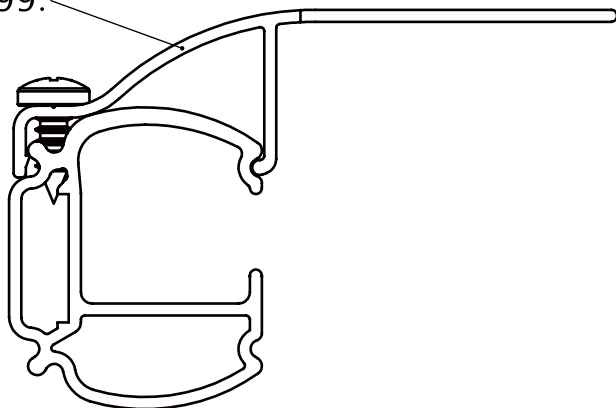


**fixing of the gap cover profile for gaps between cover and tracks  
(optional)**

sample of a square cassette



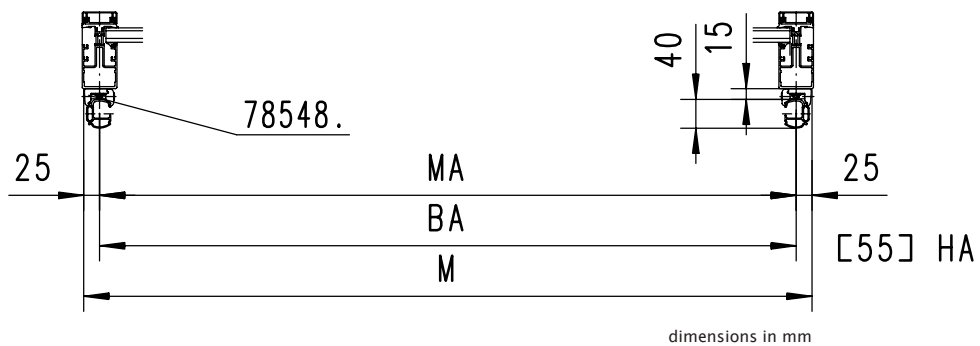
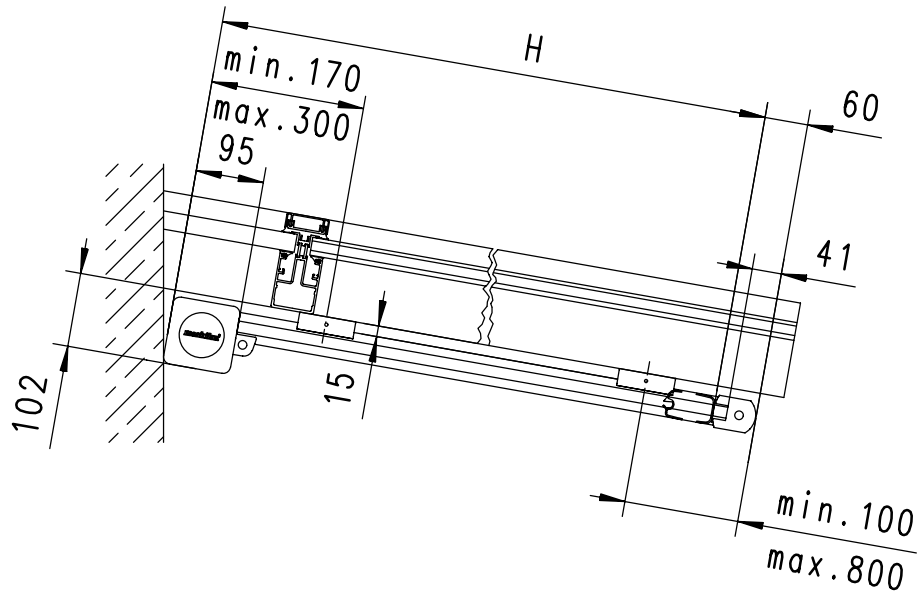
cross section of gap cover profile  
78999.



78999.: gap cover profile 760/860/780/880/889

# fixing dimensions fixture method 10

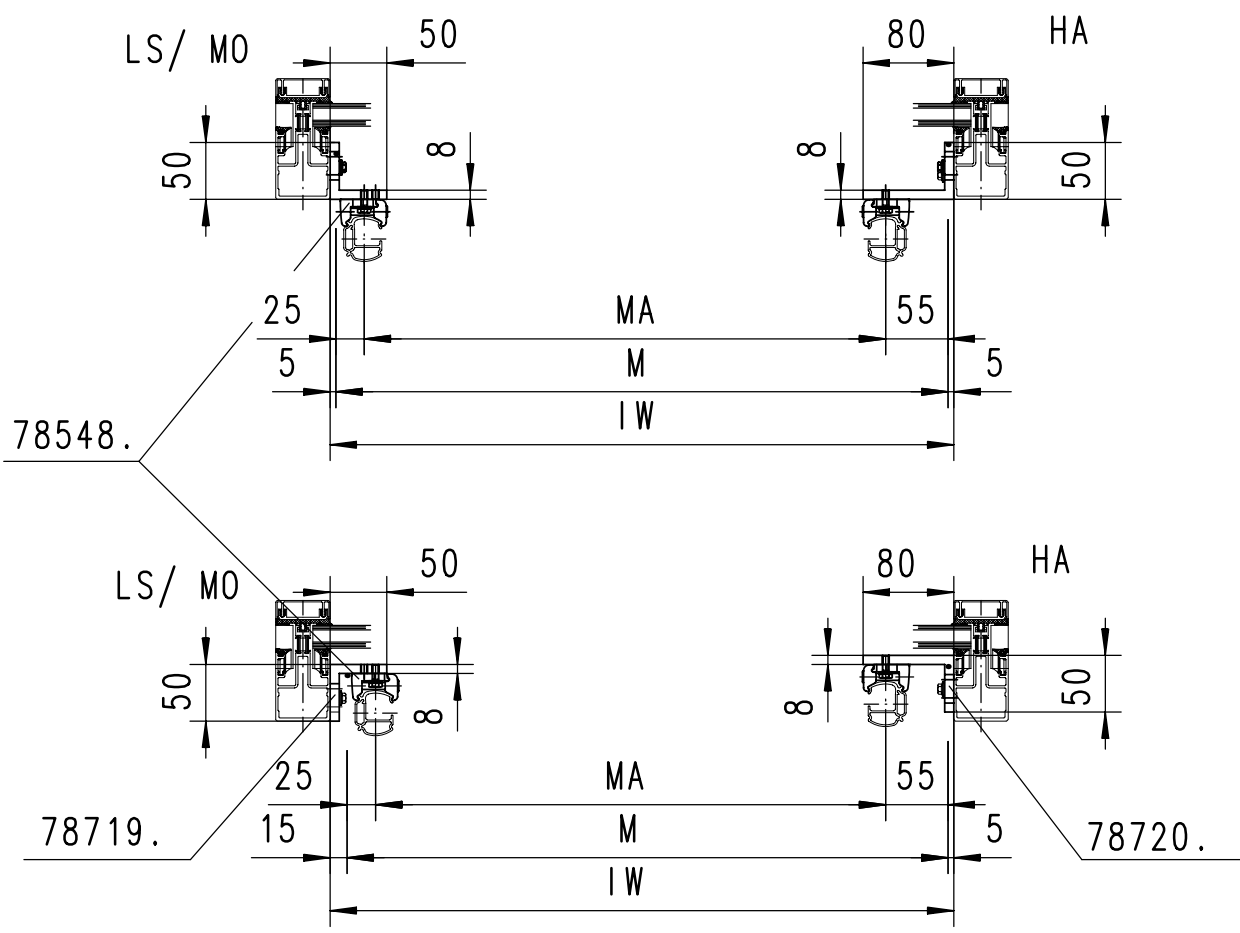
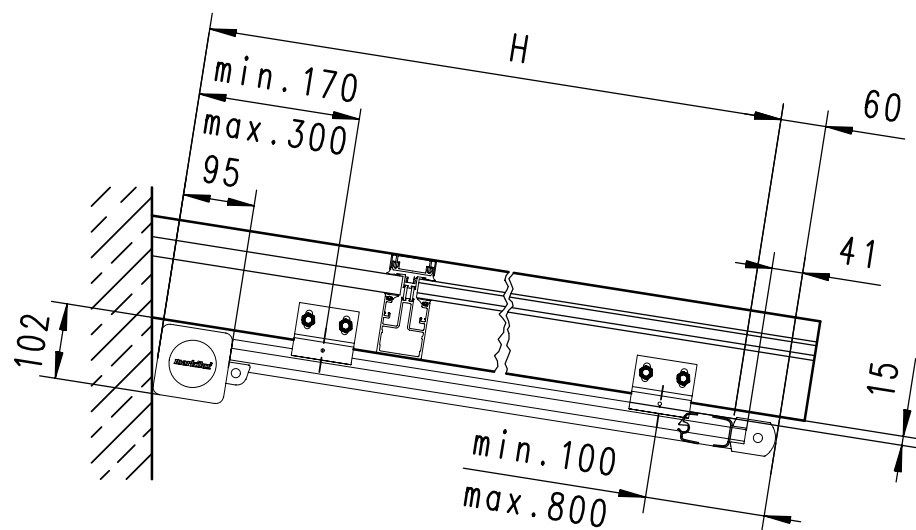
markilux 780



H = extension  
 MA = awning width between fixture points = order width  
 BA = fixture width  
 M = overall awning width  
 HA = manual operation  
 78548.: up to an extension of 3000 mm 2 pcs per track, from an extension of 3001 mm 3 pcs per track

**fixing dimensions fixture method 15**

markilux 780

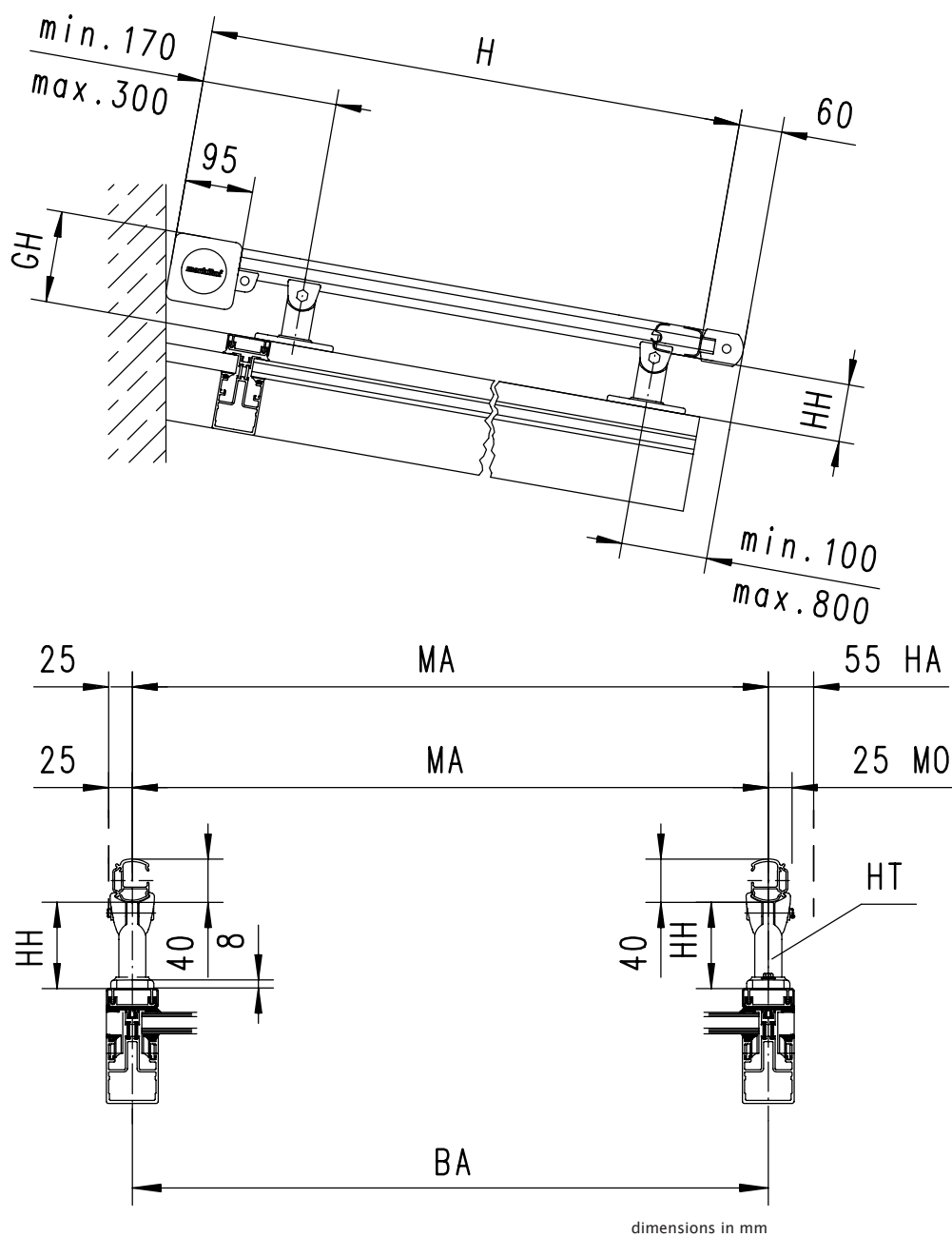


dimensions in mm

- H = extension
- LS = bearing side
- MO = motorised operation
- HA = manual operation
- MA = awning width between fixture points = order width
- M = overall awning width
- IW = interior dimension winter garden
- 78548.: up to an extension of 3000 mm 2 pcs per track, from an extension of 3001 mm 3 pcs per track

# fixing dimensions fixture methods 20, 21 and 22

markilux 780



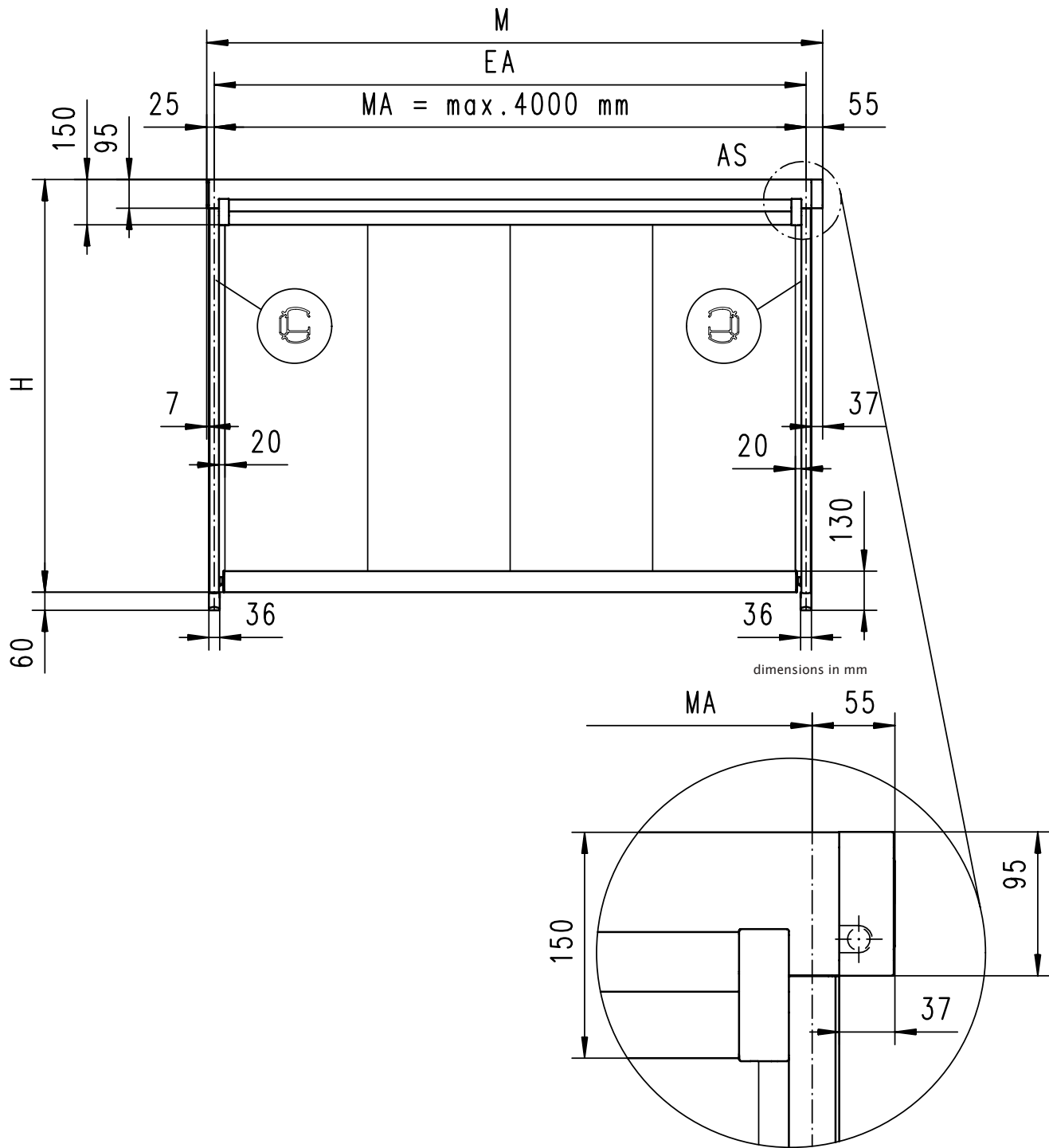
P	GH	HH	ARH
20	130	80	78451.
21	150	100	78538.
22	190	140	78539.

H = extension  
 GH = total height  
 HH = fixture bracket height  
 MA = awning width between fixture points = order width  
 HA = manual operation  
 MO = motorised operation  
 HT = bracket  
 BA = fixture width  
 P = fixture method  
 ARH = fixture bracket part number  
 78451.: up to an extension of 3000 mm 2 pcs per track, from an extension of 3001 mm 3 pcs per track  
 78538.: up to an extension of 3000 mm 2 pcs per track, from an extension of 3001 mm 3 pcs per track  
 78539.: up to an extension of 3000 mm 2 pcs per track, from an extension of 3001 mm 3 pcs per track



# How to fit the markilux 780

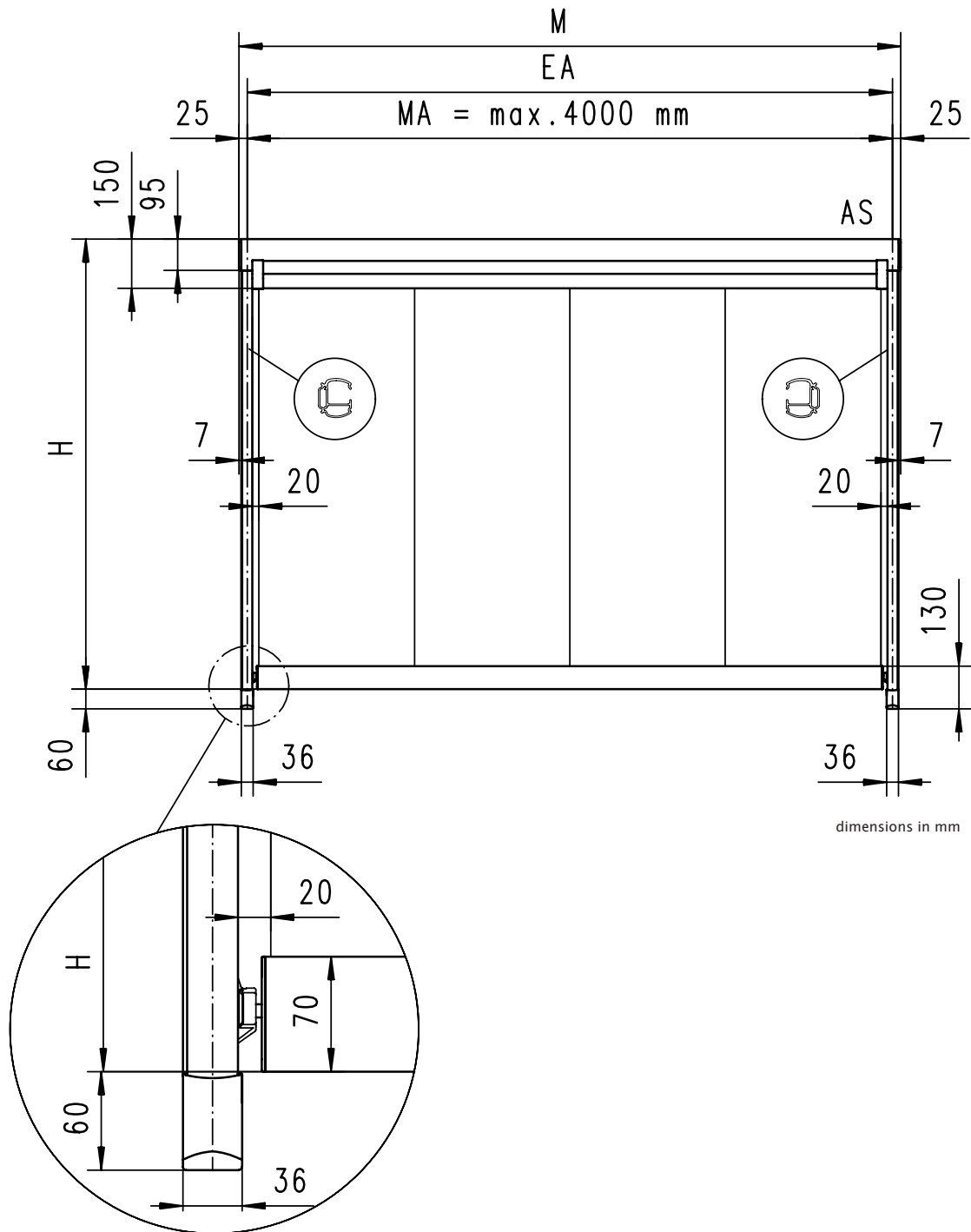
manual operation



M = overall awning width  
 H = extension  
 EA = single unit  
 MA = awning width between fixture points = order width  
 AS = operation side

# How to fit the markilux 780

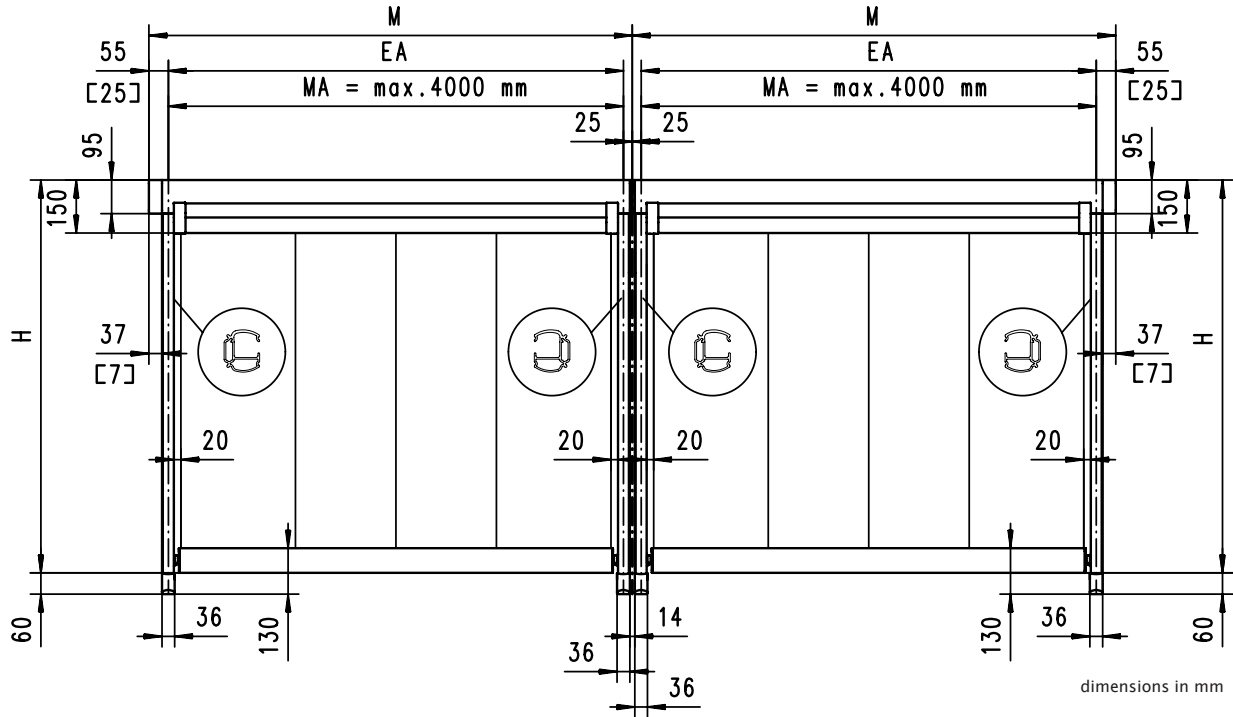
motor operation



M = overall awning width  
 H = extension  
 EA = single unit  
 MA = awning width between fixture points = order width  
 AS = operation side

## How to fit the markilux 780

two single units

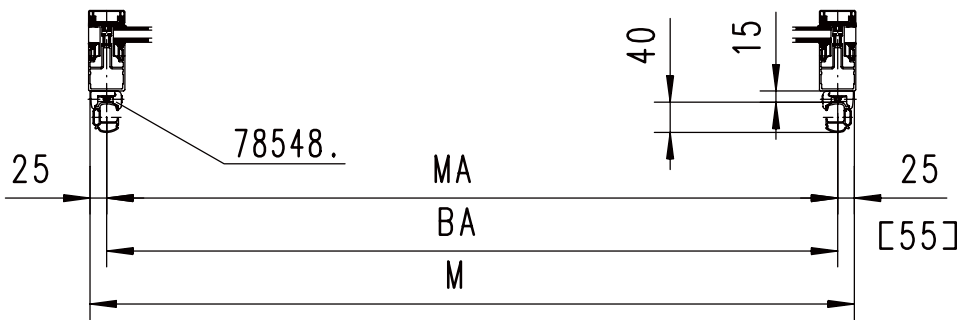
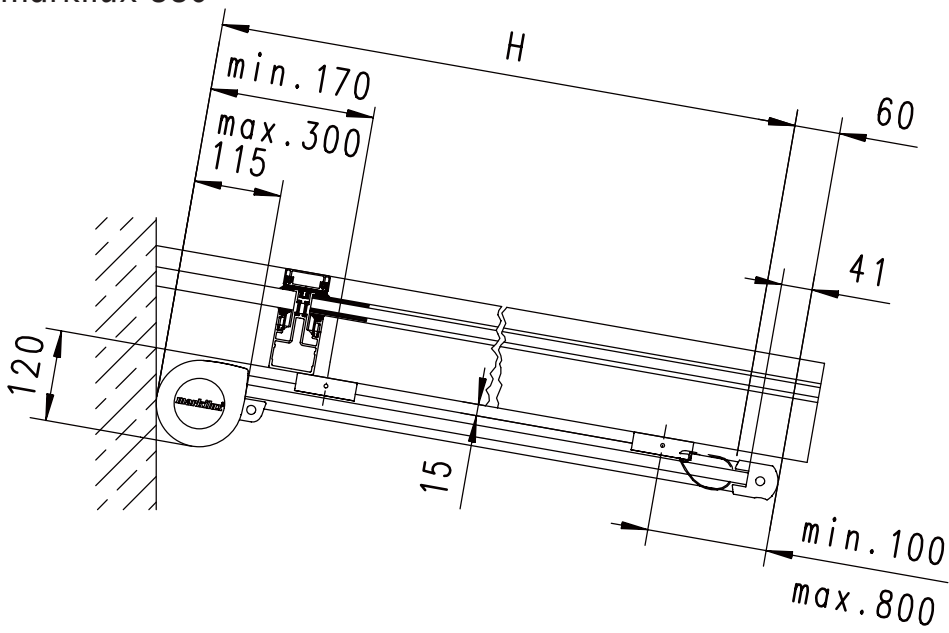


[ ] = MO

- M = overall awning width
- H = extension
- EA = single unit
- MA = awning width between fixture points = order width
- [...] = dimensions in the case of motorised operation
- MO = motorised operation

# fixing dimensions fixture method 10

markilux 880



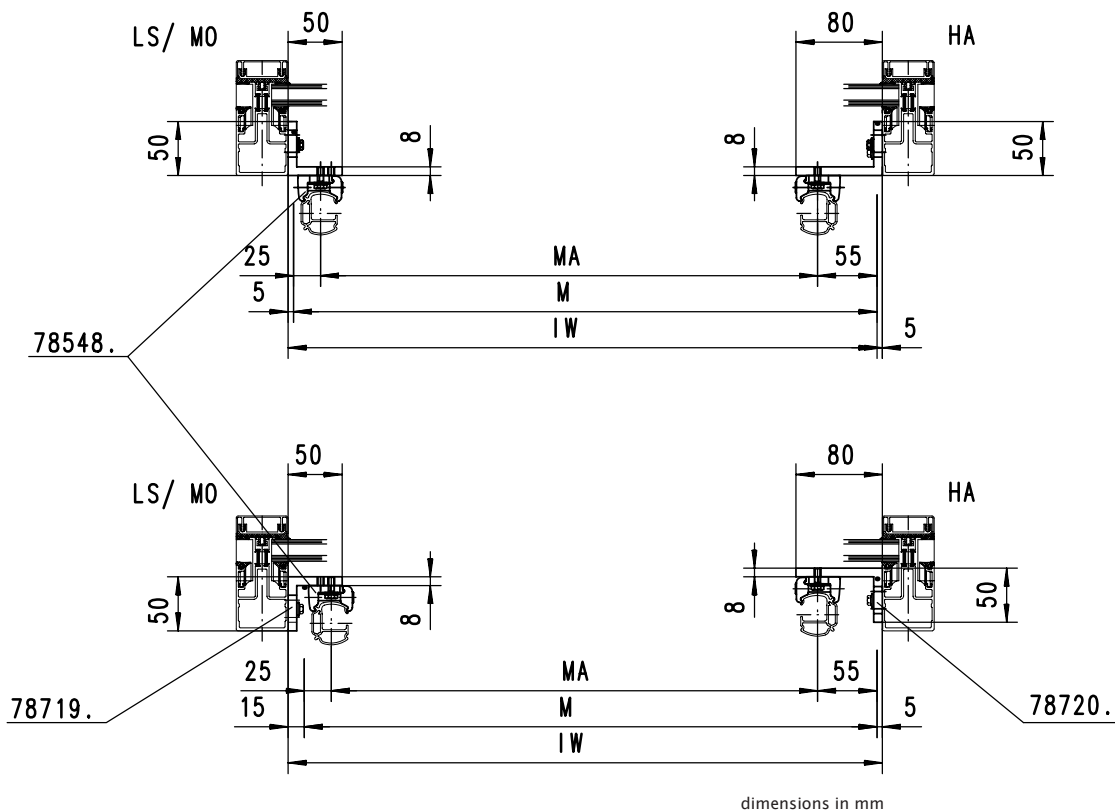
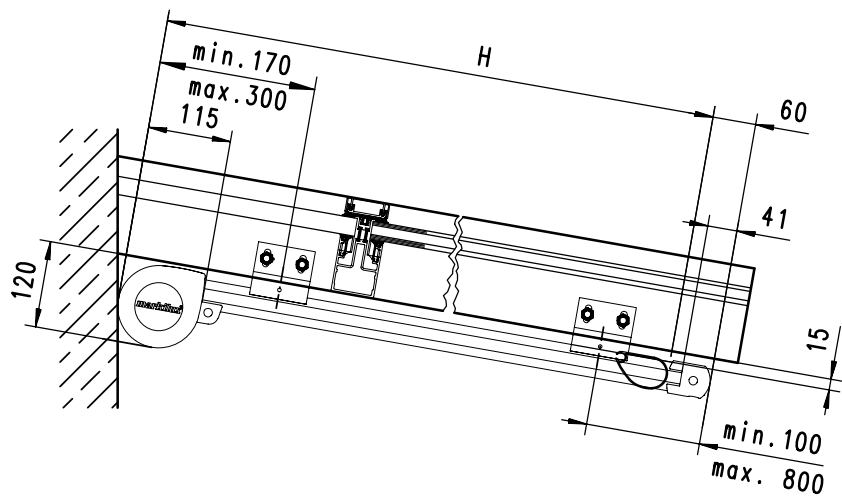
dimensions in mm

H = extension  
 MA = awning width between fixture points = order width  
 BA = fixture width  
 M = overall awning width  
 78548.: up to an extension of 3000 mm 2 pcs per track, from an extension of 3001 mm 3 pcs per track  
 [ ] = dimensions in the case of manual operation



**fixing dimensions fixture method 15**

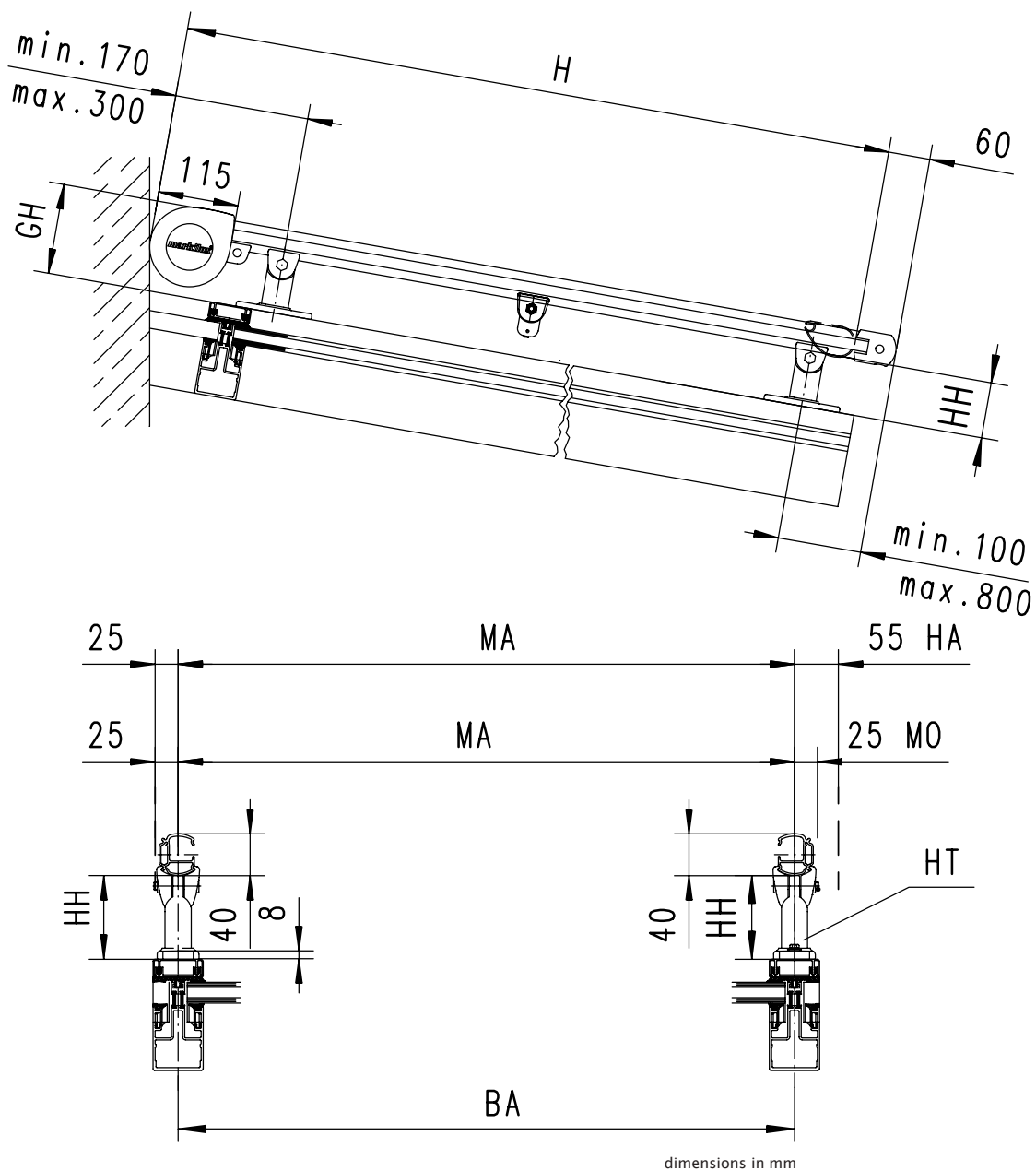
markilux 880



H = extension  
 LS = bearing side  
 MO = motorised operation  
 HA = manual operation  
 MA = awning width between fixture points = order width  
 M = overall awning width  
 IW = interior dimension winter garden  
 78548.: up to an extension of 3000 mm 2 pcs per track, from an extension of 3001 mm 3 pcs per track

# fixing dimensions fixture methods 20, 21 and 22

markilux 880

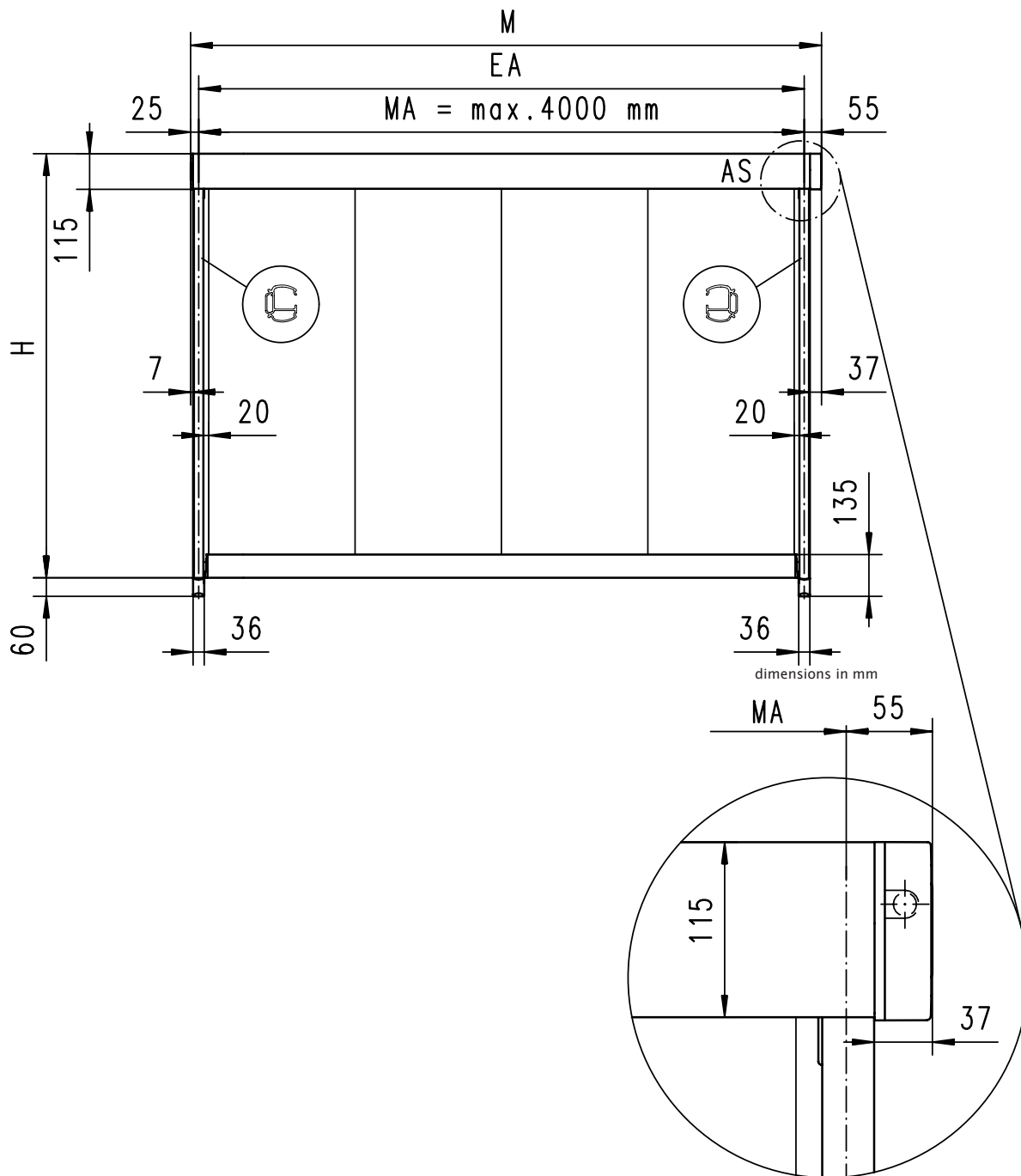


P	GH	HH	ARH
20	130	80	78451.
21	150	100	78538.
22	190	140	78539.

H = extension  
 GH = total height  
 HH = fixture bracket height  
 MA = awning width between fixture points = order width  
 HA = manual operation  
 MO = motorised operation  
 HT = bracket  
 BA = fixture width  
 P = fixture method  
 ARH = fixture bracket part number  
 78451.: up to an extension of 3000 mm 2 pcs per track, from an extension of 3001 mm 3 pcs per track  
 78538.: up to an extension of 3000 mm 2 pcs per track, from an extension of 3001 mm 3 pcs per track  
 78539.: up to an extension of 3000 mm 2 pcs per track, from an extension of 3001 mm 3 pcs per track

# How to fit the markilux 880

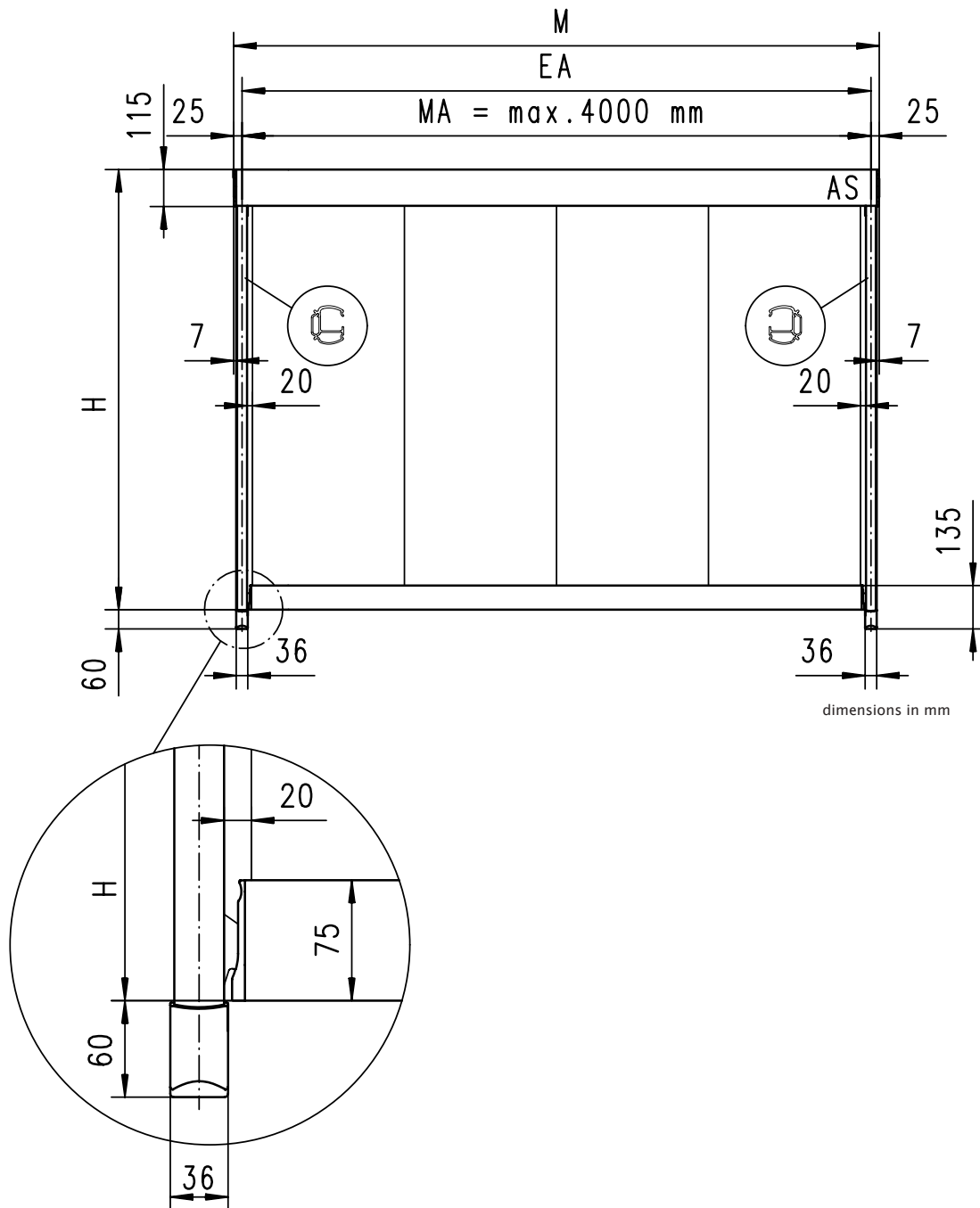
manual operation



M = overall awning width  
H = extension  
EA = single unit  
MA = awning width between fixture points = order width  
AS = operation side

# How to fit the markilux 880

motor operation

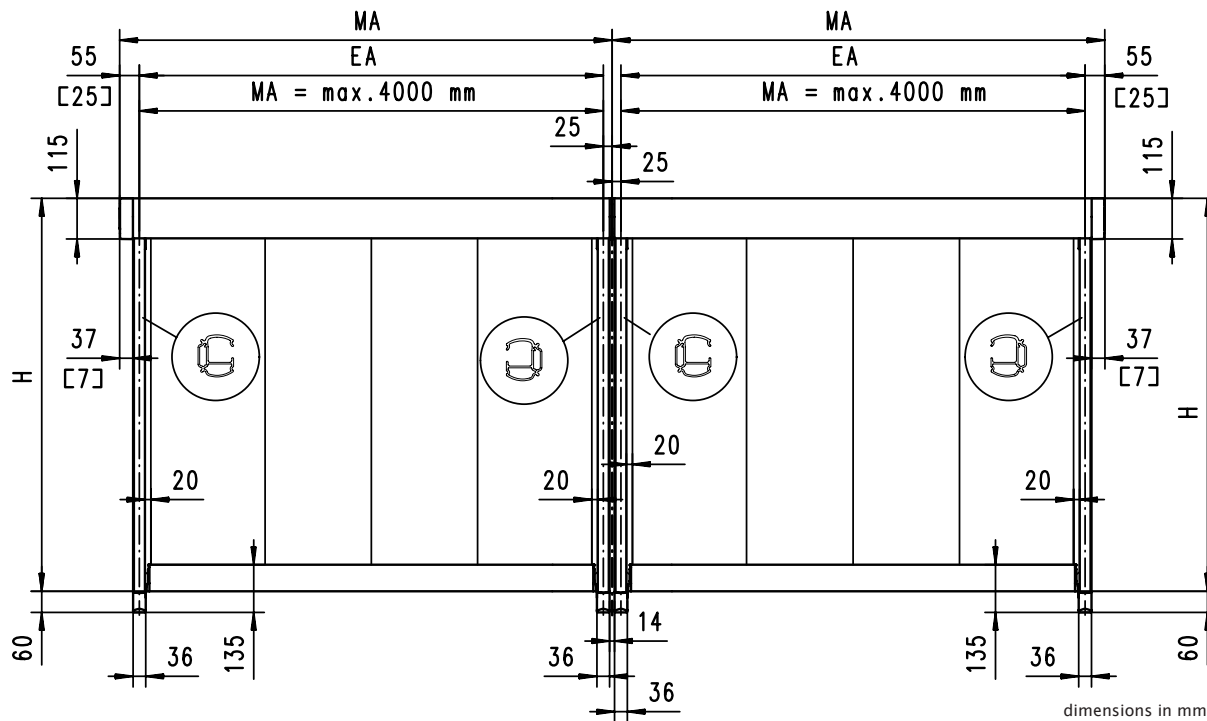


M = overall awning width  
 H = extension  
 EA = single unit  
 MA = awning width between fixture points = order width  
 AS = operation side



## How to fit the markilux 880

two single units



[ ] = MO

M = overall awning width  
 H = extension  
 EA = single unit  
 MA = awning width between fixture points = order width  
 [...] = dimensions in the case of motorised operation  
 MO = motorised operation

**По вопросам продаж и поддержки обращайтесь:**

Архангельск (8182)63-90-72	Краснодар (861)203-40-90	Рязань (4912)46-61-64
Астана (7172)727-132	Красноярск (391)204-63-61	Самара (846)206-03-16
Белгород (4722)40-23-64	Курск (4712)77-13-04	Санкт-Петербург (812)309-46-40
Брянск (4832)59-03-52	Липецк (4742)52-20-81	Саратов (845)249-38-78
Владивосток (423)249-28-31	Магнитогорск (3519)55-03-13	Смоленск (4812)29-41-54
Волгоград (844)278-03-48	Москва (495)268-04-70	Сочи (862)225-72-31
Вологда (8172)26-41-59	Мурманск (8152)59-64-93	Ставрополь (8652)20-65-13
Воронеж (473)204-51-73	Набережные Челны (8552)20-53-41	Тверь (4822)63-31-35
Екатеринбург (343)384-55-89	Нижний Новгород (831)429-08-12	Томск (3822)98-41-53
Иваново (4932)77-34-06	Новокузнецк (3843)20-46-81	Тула (4872)74-02-29
Ижевск (3412)26-03-58	Новосибирск (383)227-86-73	Тюмень (3452)66-21-18
Казань (843)206-01-48	Орел (4862)44-53-42	Ульяновск (8422)24-23-59
Калининград (4012)72-03-81	Оренбург (3532)37-68-04	Уфа (347)229-48-12
Калуга (4842)92-23-67	Пенза (8412)22-31-16	Челябинск (351)202-03-61
Кемерово (3842)65-04-62	Пермь (342)205-81-47	Череповец (8202)49-02-64
Киров (8332)68-02-04	Ростов-на-Дону (863)308-18-15	Ярославль (4852)69-52-93

**Единый адрес:** [mxr@nt-rt.ru](mailto:mxr@nt-rt.ru) **Веб-сайт:** [www.markilux.nt-rt.ru](http://www.markilux.nt-rt.ru)