

**По вопросам продаж и поддержки обращайтесь:**

Архангельск (8182)63-90-72	Краснодар (861)203-40-90	Рязань (4912)46-61-64
Астана (7172)727-132	Красноярск (391)204-63-61	Самара (846)206-03-16
Белгород (4722)40-23-64	Курск (4712)77-13-04	Санкт-Петербург (812)309-46-40
Брянск (4832)59-03-52	Липецк (4742)52-20-81	Саратов (845)249-38-78
Владивосток (423)249-28-31	Магнитогорск (3519)55-03-13	Смоленск (4812)29-41-54
Волгоград (844)278-03-48	Москва (495)268-04-70	Сочи (862)225-72-31
Вологда (8172)26-41-59	Мурманск (8152)59-64-93	Ставрополь (8652)20-65-13
Воронеж (473)204-51-73	Набережные Челны (8552)20-53-41	Тверь (4822)63-31-35
Екатеринбург (343)384-55-89	Нижний Новгород (831)429-08-12	Томск (3822)98-41-53
Иваново (4932)77-34-06	Новокузнецк (3843)20-46-81	Тула (4872)74-02-29
Ижевск (3412)26-03-58	Новосибирск (383)227-86-73	Тюмень (3452)66-21-18
Казань (843)206-01-48	Орел (4862)44-53-42	Ульяновск (8422)24-23-59
Калининград (4012)72-03-81	Оренбург (3532)37-68-04	Уфа (347)229-48-12
Калуга (4842)92-23-67	Пенза (8412)22-31-16	Челябинск (351)202-03-61
Кемерово (3842)65-04-62	Пермь (342)205-81-47	Череповец (8202)49-02-64
Киров (8332)68-02-04	Ростов-на-Дону (863)308-18-15	Ярославль (4852)69-52-93

**Единый адрес:** [mxr@nt-rt.ru](mailto:mxr@nt-rt.ru) **Веб-сайт:** [www.markilux.nt-rt.ru](http://www.markilux.nt-rt.ru)

**Кассетные маркизы 1200 markilux**

safe · timeless · beautiful



## ***markilux 1200***

The compact appearance of awning quality



# markilux 1200

## The compact appearance of awning quality

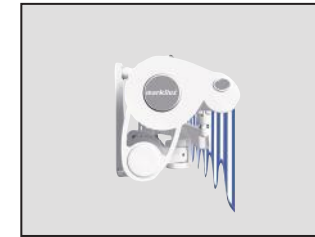
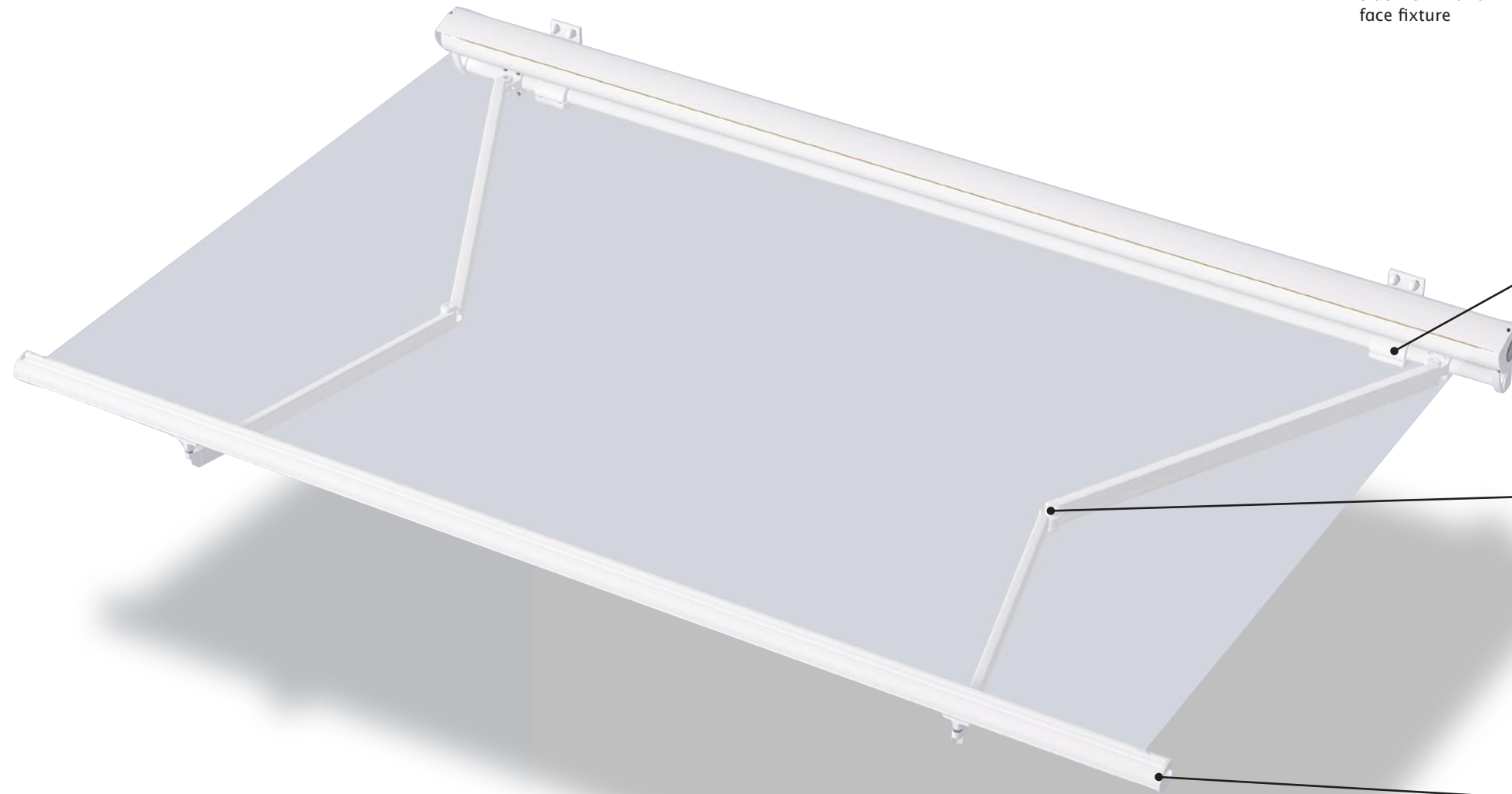
- design features**
- A cover cassette made of extruded aluminium. A compact cassette combined with proven technology to enable the safe shading of larger areas.
  - The special cassette shape surrounds the roller tube even when the awning is extended so lending an overall harmonious appearance.
  - for long-lasting attractiveness the awning has been powder coated.
  - awning covers made from acrylic yarns or sunsilk SNC with self-cleaning effect.
  - The panel joints of the awning cover are ultrasonically bonded - for an improved appearance without bothersome stitching.

- technical highlights**
- Attractive front profile made of extruded aluminium with integrated gutter and water drainage spouts.
  - Sturdy, round steel torque bar, 50 mm Ø, to prevent twist and deflection.
  - The 85 mm roller tube ensures the highest rigidity and the best possible cover winding characteristics even at the largest widths.
  - The extremely sturdy awning construction makes it possible to shade even very large areas safely.
  - Folding arms with perfected power transference by means of a round, steel-link chain.

- optional accessories**
- In the case of manual operation ease of use is ensured with the spring-assisted gearbox.
  - Hard-wired motor drive (optionally with automatic controls) for simple, relaxed operation.
  - Radio-controlled motor with handheld transmitter for ease of operation - and ergonomically crafted for ease of use.
  - Awning available in non-standard RAL colours
  - An easily connected radio-controlled sun and wind sensor guarantees comfort and protection even during your absence.

· Manual operation includes a markilux stainless steel winding handle - quality to get to grips with · Folding arms with drop-forged joint components made of aluminium. The pivot bolts sit in Teflon-coated bronze bushes for high stability and longevity · The greater upper to lower arm length ratio ensures high lateral stability in the awning · Fixture brackets are made of extruded aluminium · Awnings more than 700 cm wide can be supplied as coupled units. · Residual water in the cassette is released through small holes in the centre of the cassette · In larger units the the cassette and front profile may sag slightly · This technically innovative solution - tiered arms - makes it possible to achieve large extensions at narrow widths · At larger widths one or more rolltex bearings support the roller tube · An optional wall sealing profile covers the gap between wall and awning

# Folding-arm awning markilux 1200



side view with awning closed, face fixture



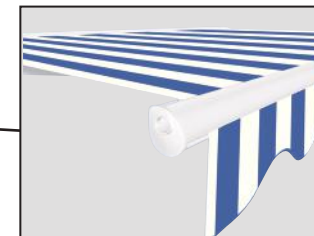
side view with awning closed, top fixture



simple pitch adjustment

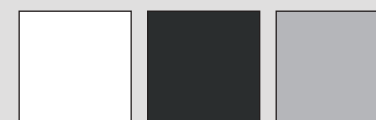


folding arm with round, steel-link chain

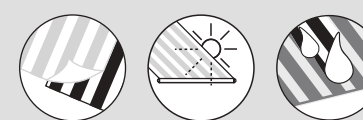


front profile and valance

Standard RAL colours:



standard:



optional accessories:



safe · timeless · beautiful



***markilux* 1200**

The compact appearance of awning quality



# dimensions and configuration options

extension	Overall blind width										minimum width motor <sup>10)</sup>		minimum width manual operation <sup>10)</sup>	
	250 167-250	300 251-300	350 301-350	400 351-400	450 401-450	500 451-500	550 501-550	600 551-600	650 601-650	700 <sup>21)</sup> 651-700	Standard	Bespoke arms	Standard	Bespoke arms
150	28)										180	167	183	170
200	28)										230	217	233	220
250		28)									280	267	283	270
300			28)								330	317	333	320
350				28)					21)		380	367	383	370

dimensions in cm

10) the dimensions are only valid for fixture without spreader plates (2 folding arms).

21) awnings with 3 arms are only available with motor (extra charge).

28) Please note the minimum widths!

 = available, 2 folding arms

 = available, 3 folding arms

operation type	
manual operation with st. steel winding handle	●
Servo-assisted operation	○
radio-controlled motor	○
motor	○
Shadeplus	
manual operation	-
radio-controlled motor	-
motor	-
Lighting	
Halogen Spotlights	-
Fluorescent lighting	-
covers	
acrylic 34 (fabric series 341xx-347xx)	●
sunsilk SNC (fabric series 324xx/329xx)	●
signature (fabric series 369xx)	●
transilk FR (fabric series 319xx)	-
transolair (fabric series 339xx)	-
widely woven acrylic (fabric series 349xx)	○ <sup>1)</sup>
perla FR (fabric series 374xx/379xx)	○
Soltis 92	○ <sup>2)</sup>
PVC fabric	○ <sup>2)</sup>
miscellaneous	
Coverboard	-
Sytem coverboard	-
wall sealing profile	○ <sup>3)</sup>
Pitch adjustment gear	-
Insertable side blind	-
sun and wind sensor	○
Valance	● <sup>2)</sup>
Infrared heater	○
Vibrabox / Sunis sun sensor	○
Coupled units (please refer to fixture)	
coupled unit 2 fields	○
coupled unit 3 fields	-
junction roller	○
one-piece cover (on request)	-

configuration options

**Definition of extension:** The extension is measured with the awning extended at a pitch of approx. 15° from the wall over the cover to the leading edge of the front profile. The extension tolerance is - 40mm / + 40mm

In the case of manual operation, assume approx. 16 winding handle revolutions per metre of awning extension.


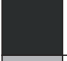


Extension when using a motor takes approximately 12 seconds per metre.

**Coupled folding-arm awnings are available up to a max. of 2 single units positioned next to one another and only operated by motor.**

Optionally available with **junction roller**. Pattern repeat mismatches are possible in the case of junction roller covers.

except when the extension is the maximum for the width of each awning. (see also arm separation table)

If coupled awnings are to be fitted into a **recess** or **reveal** the overall width of the coupled blind or awning must be at least 6 cm less than the width of the opening to allow the blind/awning to be coupled. Make a special note if the awning is to be fitted into a recess/reveal and note the reveal width separately.

frame colours		
	RAL 9016 traffic white	●
	RAL 8019 grey brown	●
	RAL 9006 metallic aluminium	●
	non-standard RAL colour	○

● = fitted as standard

○ = optional accessory

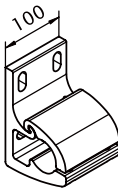
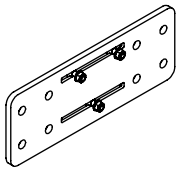
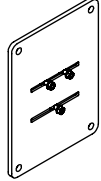
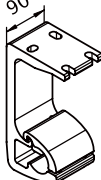
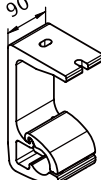
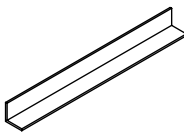
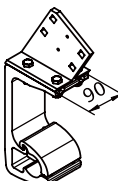
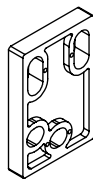
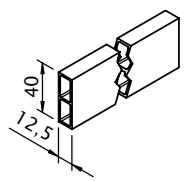
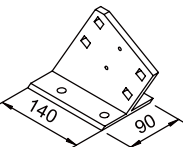
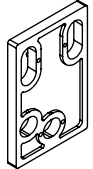
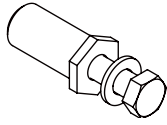
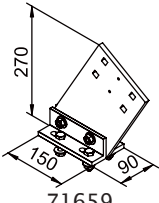
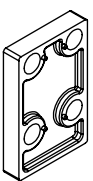
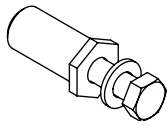
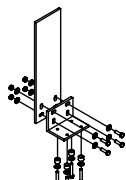
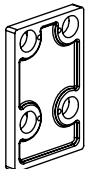
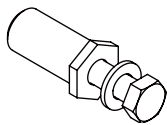
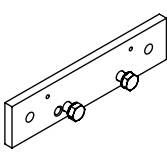
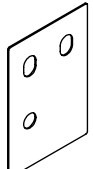
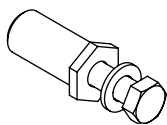
- = not available

○<sup>1)</sup> = widely woven fabric is available at an extension of 250 cm and 300 cm at a width of 500 cm and at an extension of 150 cm and 200 cm at a width of 550 cm

○<sup>2)</sup> = PVC/Soltis 92 covers available up to a max. width of 600 cm and a max. arm length of 250 cm.

○<sup>3)</sup> = wall sealing profile effective up to an awning pitch of 20°

fixings and accessories

 <p>Face fixture bracket assembly</p> <p>100mm</p> <p>70867.</p>	 <p>Component assembly spreader plate A</p> <p>160x430x12mm</p> <p>75326.</p>	 <p>Component assembly spreader plate B</p> <p>300x400x12mm</p> <p>75325.</p>
 <p>Top fixture bracket assembly</p> <p>90mm</p> <p>70868.</p>	 <p>Top fixture bracket assembly for central fixture</p> <p>70869.</p>	 <p>Angled profile for eaves fixtures</p> <p>100x100mm available by the metre, undrilled</p> <p>79380.</p>
 <p>Eaves fixture bracket assembly</p> <p>90mm complete set</p> <p>70871.</p>	 <p>Spacer plate for face fixture</p> <p>100x150x20mm N.B! stack to a max. of 200 mm</p> <p>718231</p>	 <p>stand-off strip for wall sealing profile</p> <p>available by the metre Fixture example, see face fixture with wall sealing profile</p> <p>751971</p>
 <p>Eaves fixture bracket</p> <p>140mm</p> <p>71612.</p>	 <p>Spacer plate for face fixture</p> <p>100x150x12mm</p> <p>718241</p>	 <p>reducing bolt assembly M 16 - M 12 / SW 27</p> <p>50mm length (please refer to "Technical Information")</p> <p>753891</p>
 <p>Eaves fixture bracket assembly</p> <p>270mm</p> <p>71659.</p>	 <p>Spacer plate for top fixture</p> <p>90x140x20mm N.B! stack to a max. of 200 mm</p> <p>716311</p>	 <p>reducing bolt assembly M 10 - M 10 / SW 27</p> <p>50mm length (please refer to "Technical Information")</p> <p>754901</p>
 <p>Angle and fixture plate for eaves fixture</p> <p>machine finish</p> <p>716620</p>	 <p>Spacer plate for top fixture</p> <p>90x140x12mm</p> <p>716411</p>	 <p>reducing bolt assembly M 12 - M 10 / SW 27</p> <p>50mm length (please refer to "Technical Information")</p> <p>754911</p>
 <p>Additional eaves fixture plate</p> <p>60x260x12mm</p> <p>75383.</p>	 <p>Cover plate for external insulation</p> <p>140x200x2mm</p> <p>71833.</p>	 <p>reducing bolt assembly M 16 - M 10 / SW 27</p> <p>50mm length (please refer to "Technical Information")</p> <p>754921</p>

. = Please insert the RAL No. (please refer to the section on "Coatings")

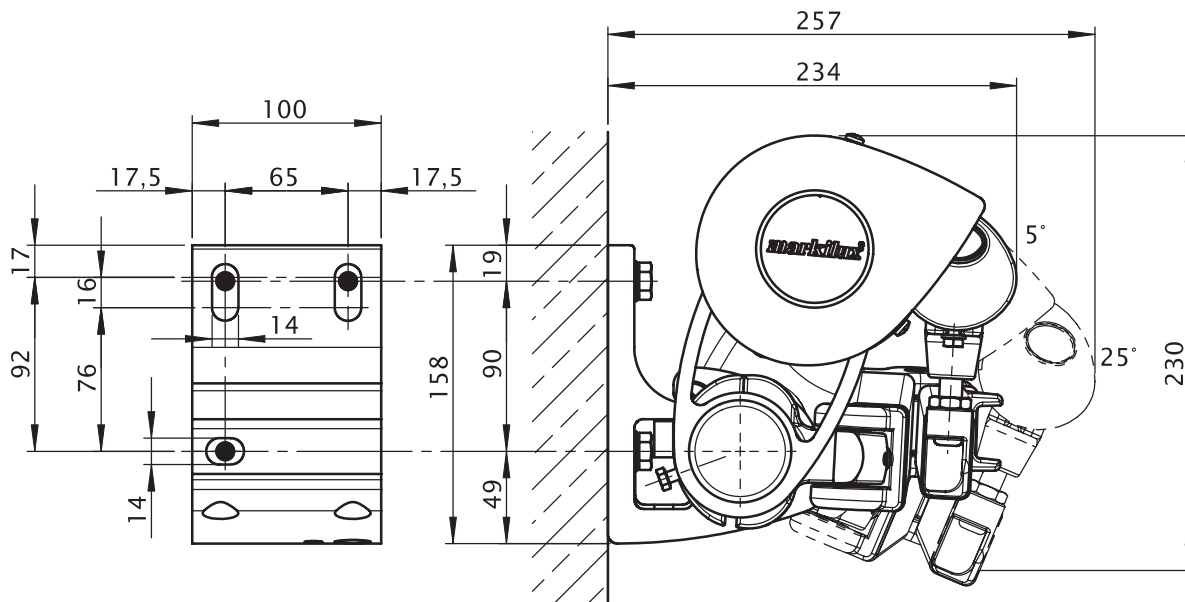
## Face fixture

Pull-out force [N=Newton] per fixture point according to EN 13561, wind resistance class 2

		compression-proof substrate										non compression-proof substrate									
		M [cm]										M [cm]									
		250	300	350	400	450	500	550	600	650	700	250	300	350	400	450	500	550	600	650	700
H [cm]		FB [N]										FB [N]									
150		374	430	486	542	598	654	710	766	822	716	511	587	664	740	817	894	970	1047	1123	979
200		595	686	776	867	957	1048	1138	1229	1320	1184	813	937	1061	1185	1308	1432	1556	1680	1803	1618
250		---	1020	1152	1285	1418	1551	1684	1817	2231	2050	---	1393	1575	1757	1938	2120	2302	2483	3050	2802
300		---	---	1576	1759	1943	2126	2651	2866	3081	2868	---	---	2154	2405	2655	2905	3623	3917	4210	3920
350		---	---	---	2328	2569	3232	3517	3802	3607	3872	---	---	---	3181	3511	4417	4806	5195	4929	5292
HT   BHT		2   100 mm					3   100 mm					2   100 mm					3   100 mm				
BM		6					9					6					9				

The pull-out force refers to the vertical centre to centre measurement between the fixture points of 90 mm. If this measurement is reduced, the pull-out force increases by 14% in the case of **compression-proof** substrates and by 19% in the case of **non-compression-proof** substrates.

M = overall awning width  
 H = extension  
 FB = pull-out force per fixing point  
 HT | BHT = bracket quantity | width  
 BM = no. of fixing points



dimensions in mm



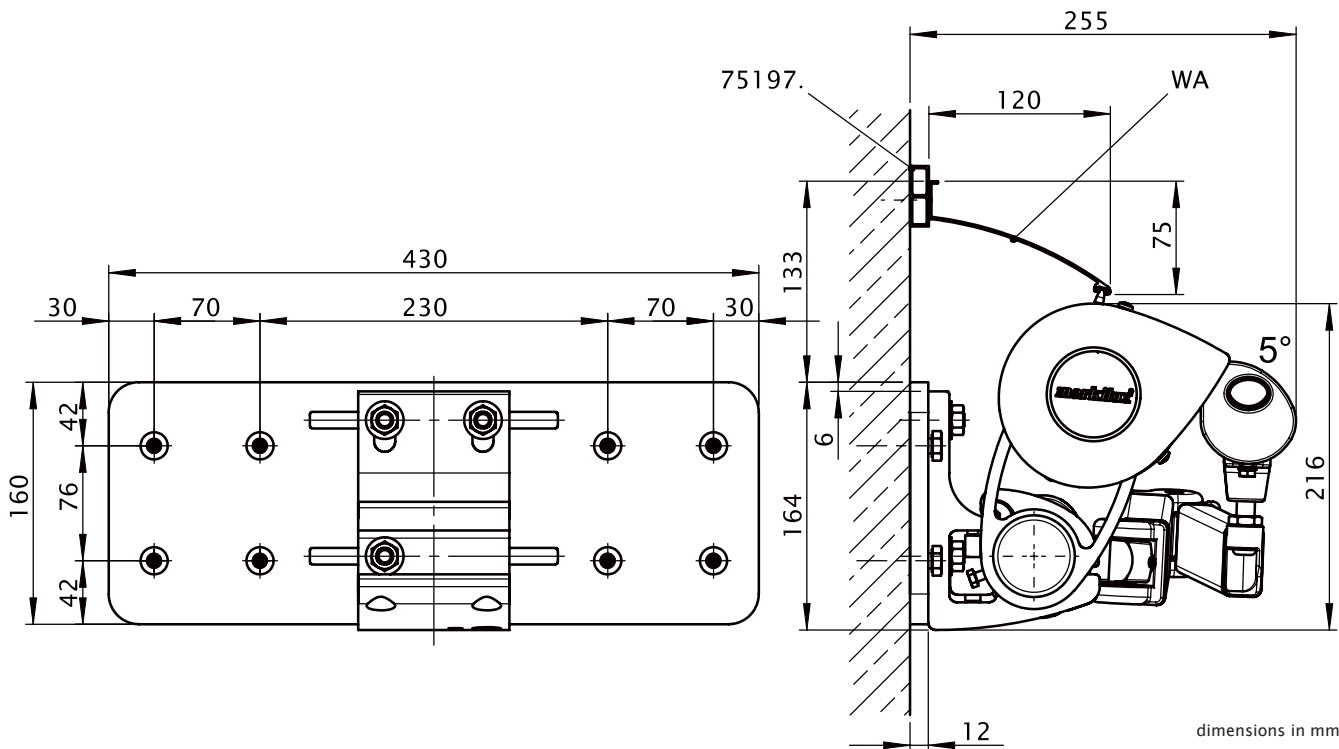
# Face fixture with spreader plate A

Pull-out force [N=Newton] per fixture point according to EN 13561, wind resistance class 2

compression-proof substrate											non compression-proof substrate										
H [cm]	M [cm]										M [cm]										
	250	300	350	400	450	500	550	600	650	700	250	300	350	400	450	500	550	600	650	700	
FB [N]											FB [N]										
150	215	248	280	312	345	377	409	442	474	390	306	352	398	444	490	536	582	628	674	554	
200	342	394	446	499	551	603	655	707	759	644	486	560	634	708	782	856	930	1004	1078	915	
250	---	585	662	738	814	891	967	1043	1281	1118	---	832	940	1049	1157	1265	1374	1482	1821	1589	
300	---	---	904	1009	1114	1219	1520	1643	1767	1565	---	---	1284	1434	1583	1732	2160	2335	2511	2224	
350	---	---	---	1334	1472	1852	2015	2178	1957	2109	---	---	---	1895	2091	2632	2863	3095	2781	2996	
HT   BHT	2   100mm								3   100mm		2   100mm								3   100mm		
BP	2								3		2								3		
BM	16								24		16								24		

The pull-out force refers to the vertical centre to centre measurement between the fixture points of 76 mm. In the case of spreader plates a washer conforming to DIN 9021 must be used.

- M = overall awning width
- H = extension
- FB = pull-out force per fixing point
- HT | BHT = bracket quantity | width
- BP = no. of spreader plates
- BM = no. of fixing points
- WA = wall sealing profile



dimensions in mm

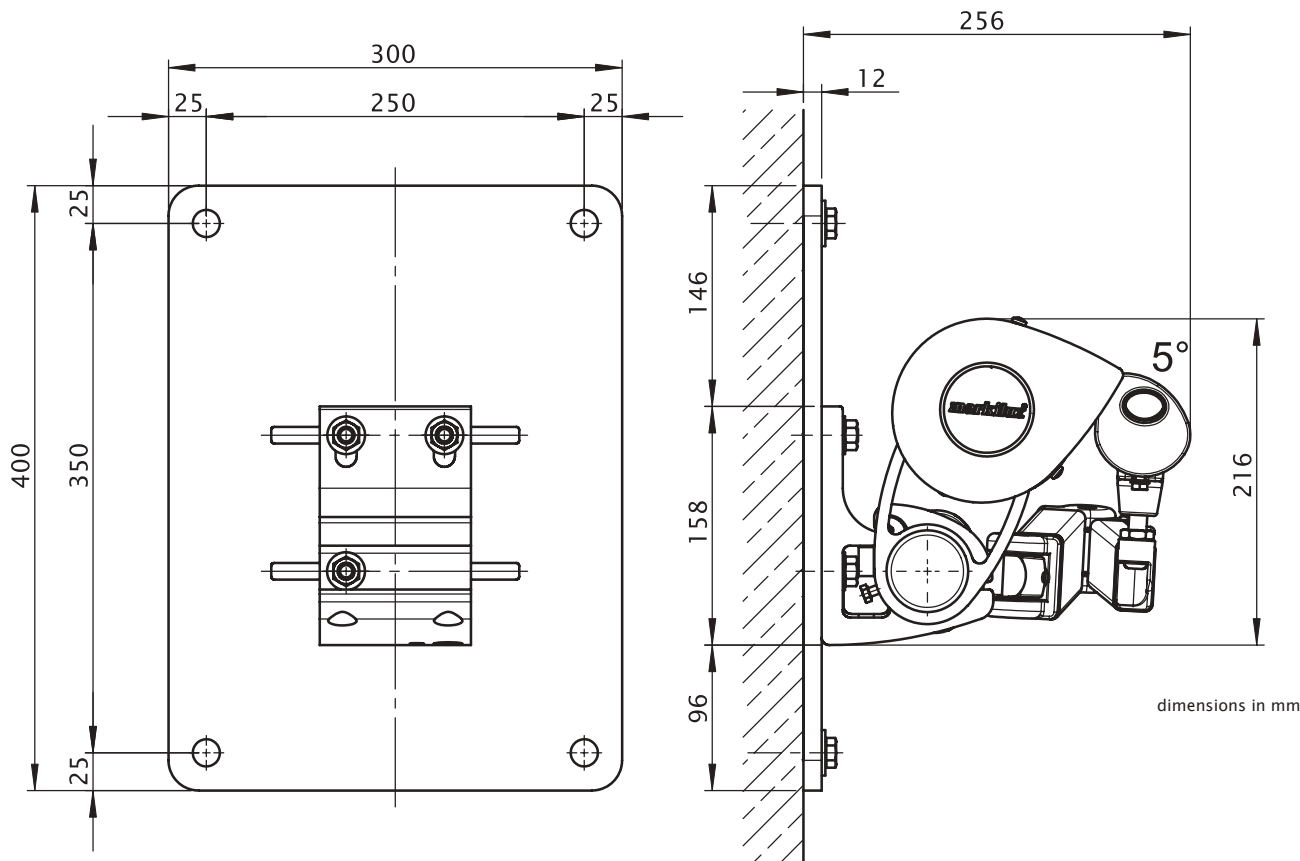
# Face fixture with spreader plate B

Pull-out force [N=Newton] per fixture point according to EN 13561, wind resistance class 2

compression-proof substrate											non compression-proof substrate										
H [cm]	M [cm]										M [cm]										
	250	300	350	400	450	500	550	600	650	700	250	300	350	400	450	500	550	600	650	700	
FB [N]											FB [N]										
150	128	147	166	185	204	223	242	261	280	231	133	153	173	193	213	233	253	273	293	241	
200	203	233	264	295	326	357	387	418	449	381	211	243	276	308	340	372	404	436	468	397	
250	---	346	392	437	482	527	572	617	758	662	---	361	408	455	502	550	597	644	791	690	
300	---	---	535	597	659	721	900	973	1045	926	---	---	558	623	687	752	938	1014	1090	966	
350	---	---	---	789	871	1096	1192	1289	1158	1248	---	---	---	823	908	1143	1243	1344	1208	1301	
HT   BHT	2   100 mm					3   100 mm					2   100 mm					3   100 mm					
BP	2					3					2					3					
BM	8					12					8					12					

The pull-out force refers to the vertical centre to centre measurement between the fixture points of 350 mm. In the case of spreader plates a washer conforming to DIN 9021 must be used.

- M = overall awning width
- H = extension
- FB = pull-out force per fixing point
- HT | BHT = bracket quantity | width
- BP = no. of spreader plates
- BM = no. of fixing points



dimensions in mm

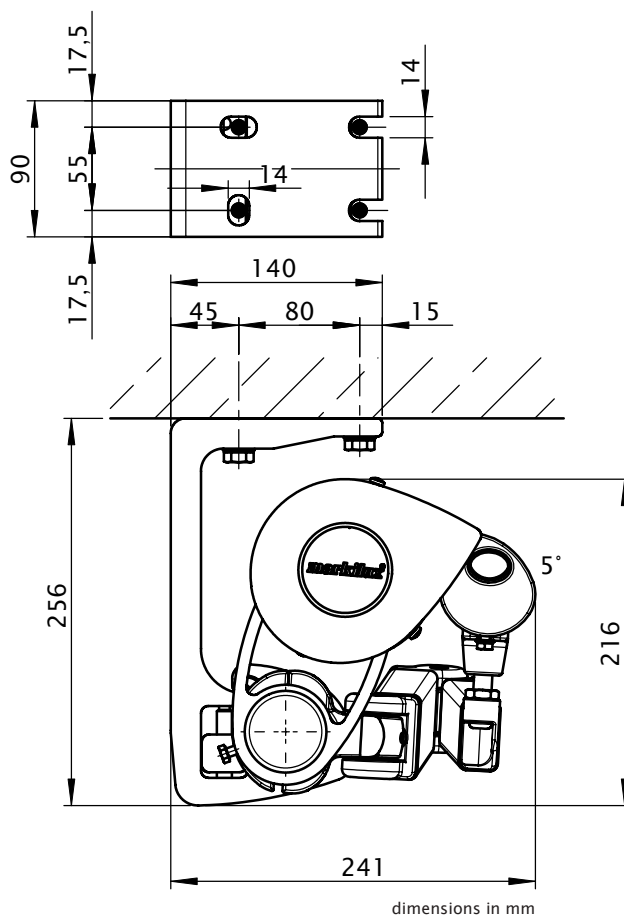
## Top fixture

Pull-out force [N=Newton] per fixture point according to EN 13561, wind resistance class 2

H [cm]	compression-proof substrate										non compression-proof substrate									
	M [cm]										M [cm]									
	250	300	350	400	450	500	550	600	650	700	250	300	350	400	450	500	550	600	650	700
	FB [N]										FB [N]									
150	438	503	569	635	700	766	832	897	963	839	574	661	747	833	919	1005	1092	1178	1264	1101
200	697	803	909	1015	1122	1228	1334	1440	1546	1387	915	1054	1194	1333	1472	1611	1750	1890	2029	1820
250	---	1194	1350	1506	1661	1817	1973	2128	2614	2401	---	1568	1772	1976	2181	2385	2589	2794	3431	3152
300	---	---	1846	2061	2276	2490	3105	3357	3609	3360	---	---	2424	2705	2987	3268	4075	4406	4737	4410
350	---	---	---	2727	3009	3786	4120	4453	4225	4536	---	---	---	3579	3950	4969	5407	5845	5545	5954
HT   BHT	2   90 mm					3   90 mm					2   90 mm					3   90 mm				
BM	8					12					8					12				

The pull-out force refers to the horizontal centre to centre separation of the fixture point of 80 mm. If the awning is fitted with two brackets per folding arm the pull-out force may be halved. Place the brackets directly left and right of the arm bearer.

M = overall awning width  
 H = extension  
 FB = pull-out force per fixing point  
 HT | BHT = bracket quantity | width  
 BM = no. of fixing points



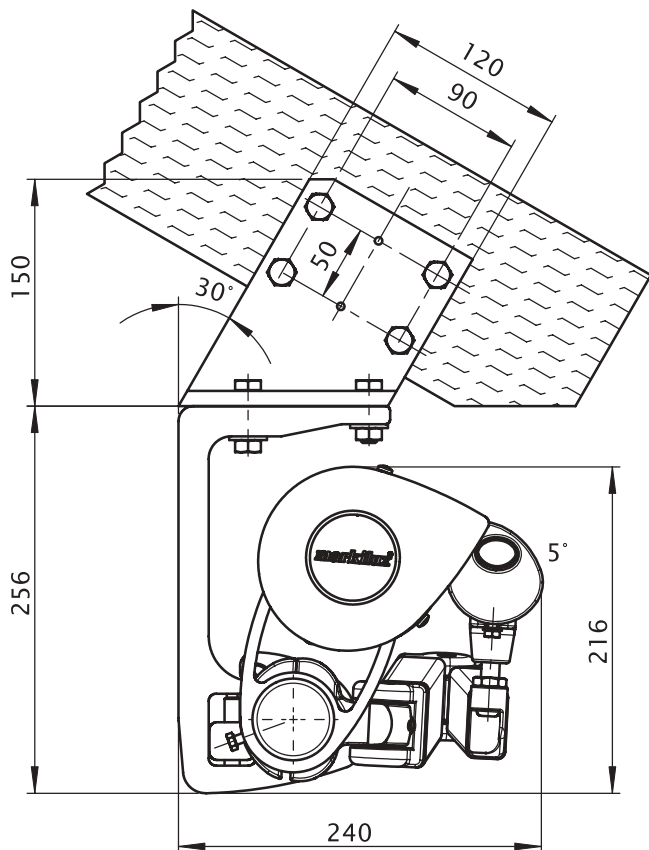
# Eaves/Roof timber fixture

Pull-out force [N=Newton] for the fixture bracket next to the arm according to EN 13561, wind resistance class 2

H [cm]	Torque											shear force										
	M [cm]											M [cm]										
	250	300	350	400	450	500	550	600	650	700	250	300	350	400	450	500	550	600	650	700		
	Md [Nm]											FS [N]										
150	92	106	119	133	147	161	175	188	202	176	1021	1174	1328	1481	1634	1787	1941	2094	2247	1957		
200	146	169	191	213	236	258	280	302	325	291	1627	1874	2122	2369	2617	2864	3112	3359	3607	3235		
250	---	251	284	316	349	382	414	447	549	504	---	2787	3150	3513	3877	4240	4603	4966	6099	5603		
300	---	---	388	433	478	523	652	705	758	706	---	---	4308	4809	5310	5810	7245	7833	8421	7840		
350	---	---	---	573	632	795	865	935	887	953	---	---	---	6362	7021	8834	9613	10391	9858	10584		
HT	2					3						2					3					
BM	8					12						8					12					

The shear force are calculated from 2 fixture points per bracket, because depending on the roof pitch it cannot be guaranteed that 4 fixture points per bracket can be used.

- M = overall awning width
- H = extension
- Md = torque value for the bracket next to the arm
- FS = shear force
- HT = bracket
- BM = no. of fixing points



dimensions in mm

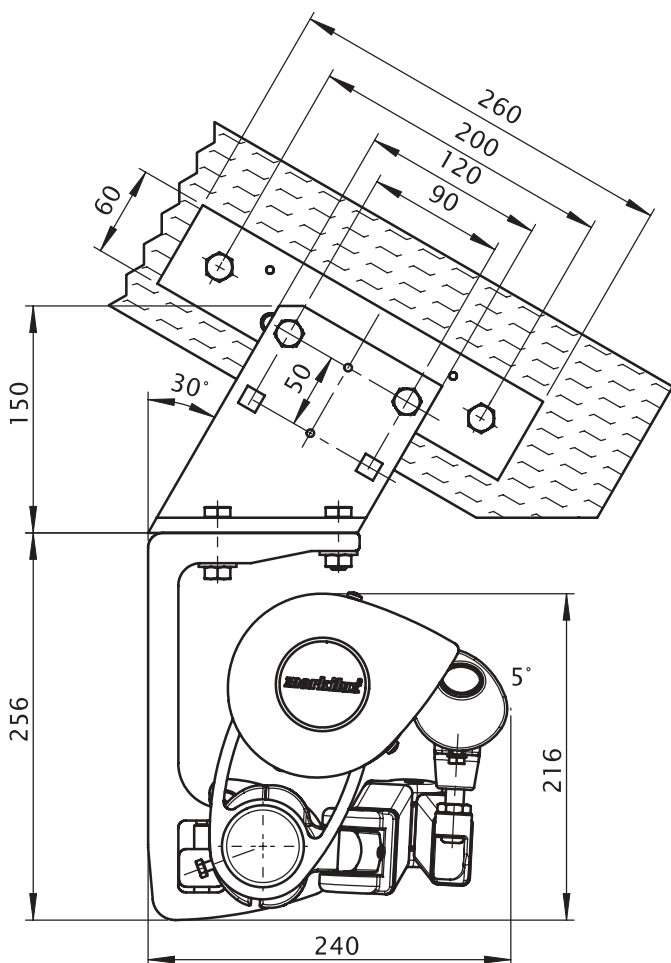
## Eaves fixture with additional plate

Pull-out force [N=Newton] for the fixture bracket next to the arm according to EN 13561, wind resistance class 2

H [cm]	Torque										shear force									
	M [cm]										M [cm]									
	250	300	350	400	450	500	550	600	650	700	250	300	350	400	450	500	550	600	650	700
	Md [Nm]										FS [N]									
150	92	106	119	133	147	161	175	188	202	176	460	528	597	666	735	804	873	942	1011	881
200	146	169	191	213	236	258	280	302	325	291	732	843	955	1066	1178	1289	1400	1512	1623	1456
250	---	251	284	316	349	382	414	447	549	504	---	1254	1418	1581	1744	1908	2071	2235	2745	2522
300	---	---	388	433	478	523	652	705	758	706	---	---	1939	2164	2389	2615	3260	3525	3789	3528
350	---	---	---	573	632	795	865	935	887	953	---	---	---	2863	3160	3976	4326	4676	4436	4763
HT	2					3					2					3				
BM	4					6					4					6				

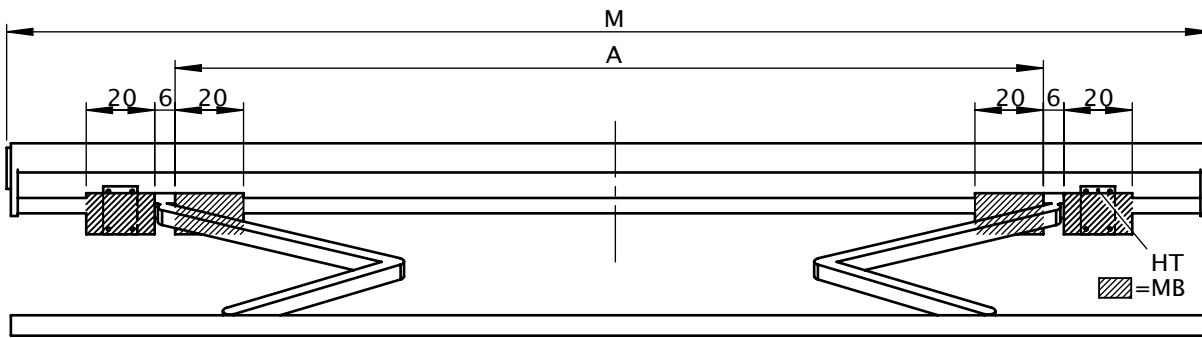
By using the additional flat plate, the shear force is reduced in comparison with conventional eaves fixture.

- M = overall awning width
- H = extension
- Md = torque value for the bracket next to the arm
- FS = shear force
- HT = bracket
- BM = no. of fixing points



dimensions in mm

## Bracket range for awnings with 2 folding arms



dimensions in cm

M [cm]	SB ZB	250 167-250	300 251-300	350 301-350	400 351-400	450 401-450	500 451-500	550 501-550	600 551-600	650 601-650
H [cm]	A [cm]									
	150	155 ■	220	250	280	320	390	425	460	500
	200	205 ▲	220 ■	250	280	320	390	425	460	500
	250	---	255 ▲	270 ■	280	320	390	425	460	500
	300	---	---	305 ▲	320 ■	320	390	425	460	500
	350	---	---	---	355 ▲	370 ■	390	425	460	---
W	HT   BHT	100 mm	2							
DE/DA	HT   BHT	90 mm	2							

dimensions in cm

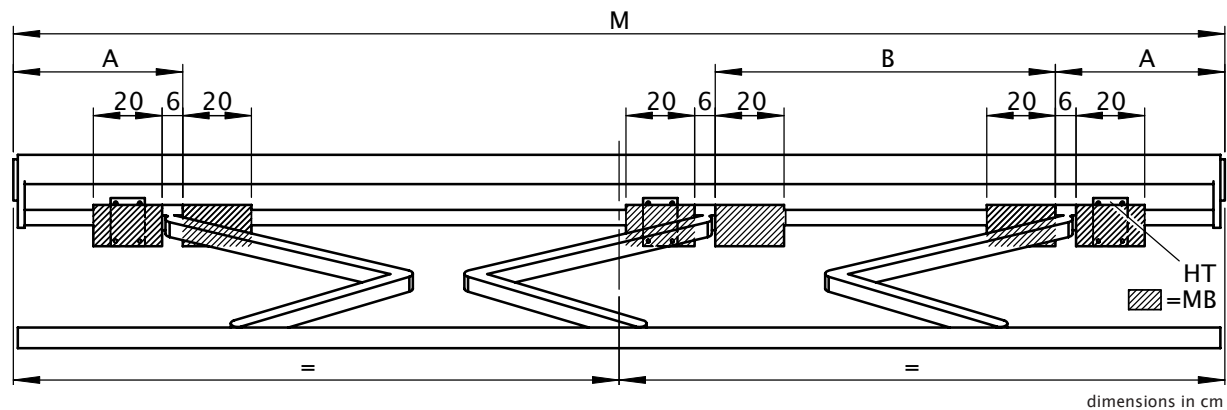
▲ = Please note the minimum widths, dimension A is only valid for standard arms! (dimension A is 13 cm smaller in the case of bespoke arms.) In the case of narrow awning widths the brackets can only be fitted inside the arms, i.e. within dimension A. A junction roller cannot be fitted to a Coupled unit.

■ = coupled units are only available with junction roller in the standard widths, in other widths on request

M = overall awning width  
 A = arm position  
 HT = bracket  
 MB = range for bracket fixture  
 SB = standard width  
 ZB = intermediate width  
 H = extension  
 W = face fixture  
 DE/DA = top fixture and eaves fixture  
 HT | BHT = bracket quantity | width

If the brackets cannot be positioned in accordance with this table, make sure the actual measurements are noted on the order form!

## Bracket range for awnings with 3 folding arms



M [cm]	SB ZB	650 601 - 650		700 651-700		KM [cm]
		A [cm]	B [cm]	A [cm]	B [cm]	
H [cm]	150	---	---	55	240	265
	200	---	---	55	225	340
	250	---	---	55	210	415
	300	---	---	55	200	490
	350	30 ▲	180 ▲	55	180	565
W	HT   BHT	100 mm	3			
DE/DA	HT   BHT	90 mm	3			

dimensions in cm

▲ = coupled units not available with junction roller

- M = overall awning width
- A = arm position
- A = arm position
- HT = bracket
- MB = range for bracket fixture
- SB = standard width
- ZB = intermediate width
- H = extension
- W = face fixture
- DE/DA = top fixture and eaves fixture
- HT | BHT = bracket quantity | width
- KM = minimum awning width

If the brackets cannot be positioned in accordance with this table, make sure the actual measurements are noted on the order form!

**По вопросам продаж и поддержки обращайтесь:**

Архангельск (8182)63-90-72	Краснодар (861)203-40-90	Рязань (4912)46-61-64
Астана (7172)727-132	Красноярск (391)204-63-61	Самара (846)206-03-16
Белгород (4722)40-23-64	Курск (4712)77-13-04	Санкт-Петербург (812)309-46-40
Брянск (4832)59-03-52	Липецк (4742)52-20-81	Саратов (845)249-38-78
Владивосток (423)249-28-31	Магнитогорск (3519)55-03-13	Смоленск (4812)29-41-54
Волгоград (844)278-03-48	Москва (495)268-04-70	Сочи (862)225-72-31
Вологда (8172)26-41-59	Мурманск (8152)59-64-93	Ставрополь (8652)20-65-13
Воронеж (473)204-51-73	Набережные Челны (8552)20-53-41	Тверь (4822)63-31-35
Екатеринбург (343)384-55-89	Нижний Новгород (831)429-08-12	Томск (3822)98-41-53
Иваново (4932)77-34-06	Новокузнецк (3843)20-46-81	Тула (4872)74-02-29
Ижевск (3412)26-03-58	Новосибирск (383)227-86-73	Тюмень (3452)66-21-18
Казань (843)206-01-48	Орел (4862)44-53-42	Ульяновск (8422)24-23-59
Калининград (4012)72-03-81	Оренбург (3532)37-68-04	Уфа (347)229-48-12
Калуга (4842)92-23-67	Пенза (8412)22-31-16	Челябинск (351)202-03-61
Кемерово (3842)65-04-62	Пермь (342)205-81-47	Череповец (8202)49-02-64
Киров (8332)68-02-04	Ростов-на-Дону (863)308-18-15	Ярославль (4852)69-52-93

**Единый адрес:** [mxr@nt-rt.ru](mailto:mxr@nt-rt.ru) **Веб-сайт:** [www.markilux.nt-rt.ru](http://www.markilux.nt-rt.ru)