

По вопросам продаж и поддержки обращайтесь:

Архангельск (8182)63-90-72	Краснодар (861)203-40-90	Рязань (4912)46-61-64
Астана (7172)727-132	Красноярск (391)204-63-61	Самара (846)206-03-16
Белгород (4722)40-23-64	Курск (4712)77-13-04	Санкт-Петербург (812)309-46-40
Брянск (4832)59-03-52	Липецк (4742)52-20-81	Саратов (845)249-38-78
Владивосток (423)249-28-31	Магнитогорск (3519)55-03-13	Смоленск (4812)29-41-54
Волгоград (844)278-03-48	Москва (495)268-04-70	Сочи (862)225-72-31
Вологда (8172)26-41-59	Мурманск (8152)59-64-93	Ставрополь (8652)20-65-13
Воронеж (473)204-51-73	Набережные Челны (8552)20-53-41	Тверь (4822)63-31-35
Екатеринбург (343)384-55-89	Нижний Новгород (831)429-08-12	Томск (3822)98-41-53
Иваново (4932)77-34-06	Новокузнецк (3843)20-46-81	Тула (4872)74-02-29
Ижевск (3412)26-03-58	Новосибирск (383)227-86-73	Тюмень (3452)66-21-18
Казань (843)206-01-48	Орел (4862)44-53-42	Ульяновск (8422)24-23-59
Калининград (4012)72-03-81	Оренбург (3532)37-68-04	Уфа (347)229-48-12
Калуга (4842)92-23-67	Пенза (8412)22-31-16	Челябинск (351)202-03-61
Кемерово (3842)65-04-62	Пермь (342)205-81-47	Череповец (8202)49-02-64
Киров (8332)68-02-04	Ростов-на-Дону (863)308-18-15	Ярославль (4852)69-52-93

Единый адрес: mxr@nt-rt.ru **Веб-сайт:** www.markilux.nt-rt.ru

Открытые маркизы 1000 markilux

safe · timeless · beautiful



markilux 1000

remarkably round



markilux 1000

remarkably round

- design features**
- Created by renowned designers.
 - Round, homogeneous transition from the round torque bar to the round roller tube.
 - Conspicuously elegant - a stylish attribute for patio or balcony.
 - Novel curved connecting piece with a colourful decorative stripe creating an attractive visual effect.
 - for long-lasting attractiveness the awning has been powder coated.

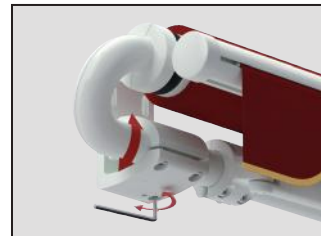
- technical highlights**
- The reliable awning with a large number of configuration options.
 - The extremely sturdy awning construction makes it possible to shade even very large areas safely.
 - The 85 mm roller tube ensures the highest rigidity and the best possible cover winding characteristics even at the largest widths.
 - Folding arms with perfected power transference by means of a round, steel-link chain.
 - Folding arms with drop-forged aluminium moving components and Teflon-coated bronze bushes, which provide superior stability and longevity.

- optional accessories**
- In the case of manual operation ease of use is ensured with the spring-assisted gearbox.
 - Available with the new transparent system coverboard.
 - Hard-wired motor drive (optionally with automatic controls) for simple, relaxed operation.
 - Radio-controlled motor with handheld transmitter for ease of operation - and ergonomically crafted for ease of use.
 - The shadeplus creates an additional room on the patio. Protection from sun, wind and inquisitive glances in one.

· Awning covers made from acrylic fabric or sunsilk snc with self-cleaning effect · The panel joints of the awning cover are ultrasonically bonded to give a better appearance without bothersome stitching · Manual operation includes a markilux stainless steel winding handle - quality to get to grips with · The greater upper to lower arm length ratio gives high lateral awning stability · Fixture brackets are made of extruded aluminium · At larger widths one or more rolltex bearings support the roller tube · Awnings more than 700 cm wide can be supplied as coupled units · The awning is available in non-standard RAL colours · An easily installed sun and wind sensor provides intelligent control options and necessary protection · markilux infra-red heating in a compact, aluminium housing. Caressing warmth with no heating-up phase within an area of approx. 9-12 m²



folding arm with round, steel-link chain



Pitch adjustment via the fixture brackets



arm fixture to the torque bar



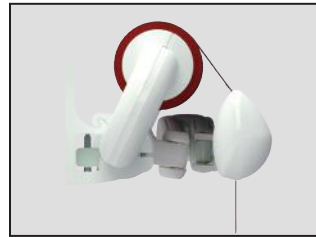
with system coverboard (optional)



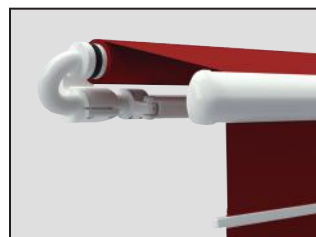
Face fixture



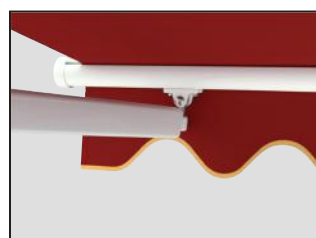
side view at a pitch of 50°



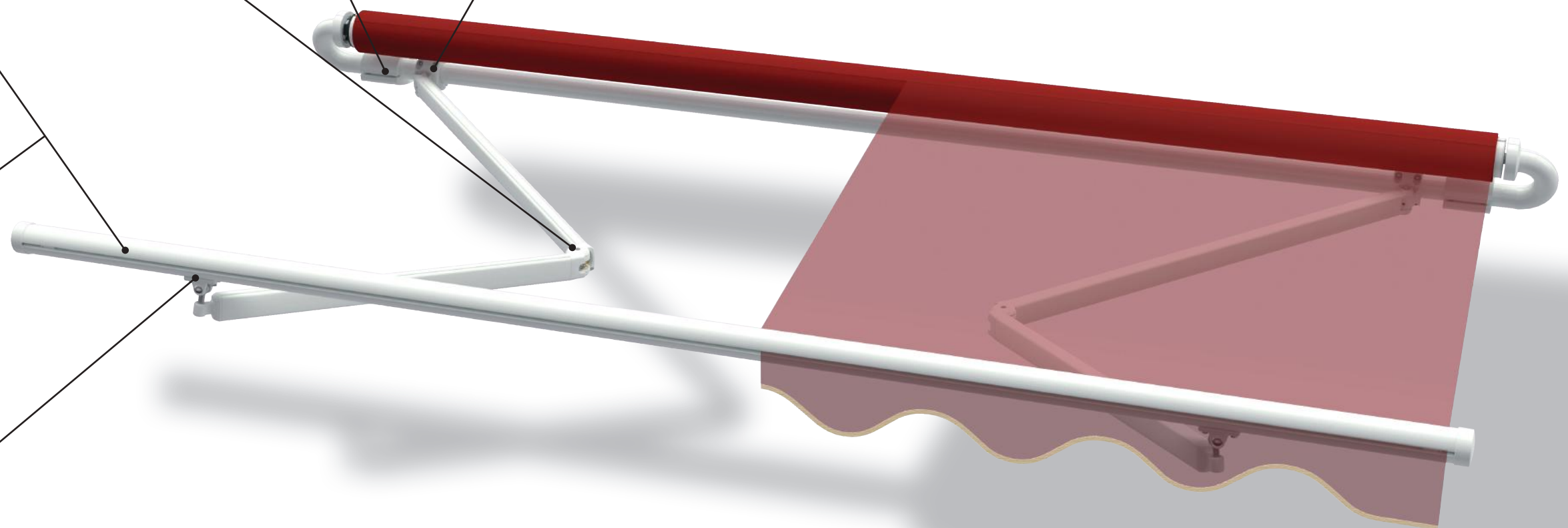
shadeplus (optional) integrated into the front profile



shadeplus (optional) during extension



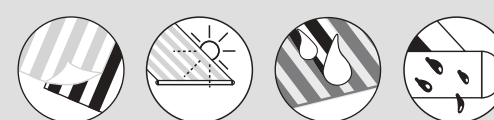
arm fixture to the front profile



Standard RAL colours:



standard:



optional accessories:



safe · timeless · beautiful

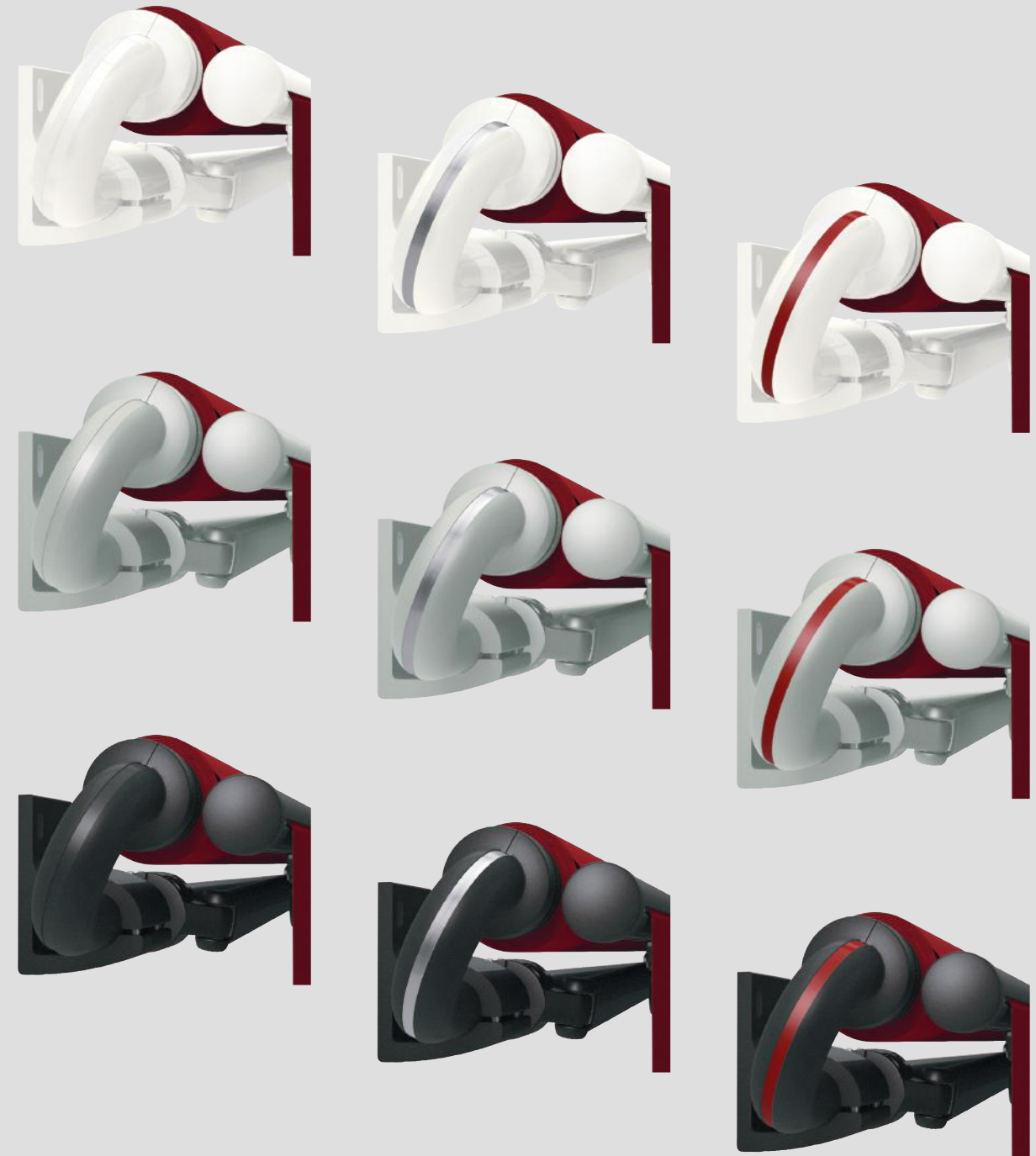
markilux 1000



markilux 1000
remarkably round

Choice of colours

frame colours	decorative stripes
traffic white RAL 9016	traffic white RAL 9016
metallic aluminium RAL 9006	metallic aluminium RAL 9006
Nano anthracite metallic 5204	Nano anthracite metallic 5204
	stainless steel
	ruby red



markilux

dimensions and configuration options

extension	Overall blind width										minimum width motor ¹⁰⁾		minimum width manual operation ¹⁰⁾	
	250 176 - 250	300 251 - 300	350 301 - 350	400 351 - 400	450 401 - 450	500 451 - 500	550 501 - 550	600 551 - 600	650 601 - 650	700 ²⁰⁾ 651 - 700	Standard	Bespoke arms	Standard	Bespoke arms
150	28)										189	176	194	181
200	28)										239	226	244	231
250		28)									289	276	294	281
300			28)								339	326	344	331
350				28)					21) 51)		389	376	394	381
400 ^{17) 19)}					28)				52)		439	426	444	431

dimensions in cm

10) the dimensions are only valid for fixture without spreader plates (2 folding arms).

17) a shadeplus is not available

19) awnings with 4 m extension are only available with motor (surcharge).

21) awnings with 3 arms are only available with motor (extra charge).

28) Please note the minimum widths!

51) smallest awning width with 3 arms 640 cm.

52) smallest awning width with 3 arms 690 cm.

 = available, 2 folding arms

 = available, 3 folding arms, 2 Rolltex bearing

operation type	
manual operation with st. steel winding handle	●
Servo-assisted operation	○
radio-controlled motor	○
motor	○
Shadeplus	
manual operation	●
radio-controlled motor	○
motor	○
Lighting	
Halogen Spotlights	-
Fluorescent lighting	-
covers	
acrylic 34 (fabric series 341xx-347xx)	●
sunsilk SNC (fabric series 324xx/329xx)	●
signature (fabric series 369xx)	●
transilk FR (fabric series 319xx)	-
transolair (fabric series 339xx)	-
widely woven acrylic (fabric series 349xx)	○ ¹⁾
perla FR (fabric series 374xx/379xx)	○
Soltis 92	○ ²⁾
PVC fabric	○ ²⁾
miscellaneous	
Coverboard	-
Sytem coverboard	○
wall sealing profile	-
Pitch adjustment gear	-
Insertable side blind	○
sun and wind sensor	○
Valance	● ²⁾
Infrared heater	○
Vibrabox / Sunis sun sensor	○
Coupled units (please refer to fixture)	
coupled unit 2 fields	○
coupled unit 3 fields	○
junction roller	○
one-piece cover (on request)	○

● = fitted as standard

○ = optional accessory

- = not available

○¹⁾ = widely woven fabric up to a max. extension of 300 cm; not possible in those dimensions that require a rolltex bearing

●²⁾ = valance shape 2 (please refer to the section "Fabric Collection")

○²⁾ = PVC/Soltis 92 covers available up to a max. width of 600 cm and a max. arm length of 250 cm.

Definition of extension: The extension is measured with the awning extended at a pitch of approx. 15° from the wall over the cover to the leading edge of the front profile. The extension tolerance is - 40mm / + 40mm

In the case of manual operation, assume approx. 16 winding handle revolutions per metre of awning extension.

Extension when using a motor takes approximately 12 seconds per metre.

Definition of shadeplus drop: The shadeplus drop is measured from the bottom edge of the shadeplus profile to the bottom edge of the valance profile. Because of tolerances in fabric thicknesses the drop may be shorter by up to 5 cm.

A manual shadeplus is available in the standard drops of 150 cm and 210 cm (210 cm only in transilk (319xx), transolair (339xx), widely woven fabrics (349xx) seamless or Soltis 92. Shadeplus covers with a drop greater than 170 cm in Soltis 92 will be made with a horizontal seam).

A motorised shadeplus is available in the standard drops of 100 cm (only in transolair (339xx) and seamless plain sunsilk or acrylic fabrics) and 120 cm (only in seamless Soltis 92).

A shadeplus is not possible with PVC covers.







coupled folding-arm awnings are available up to a max. of 3 single units side by side, however only with 6 folding-arms at most and only motorised.

Optionally available with junction roller. Pattern repeat mismatches are possible in the case of junction roller covers.

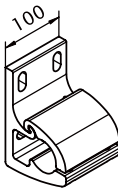
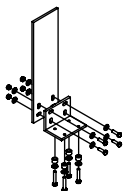
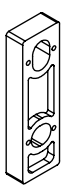
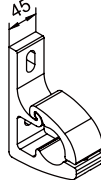
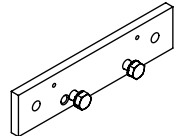
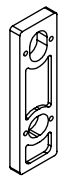
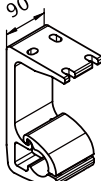
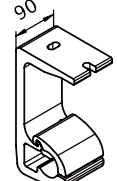
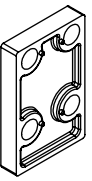
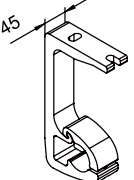
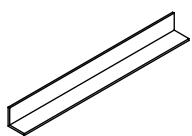
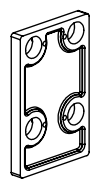
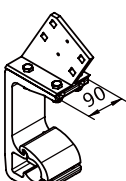
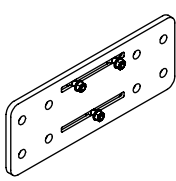
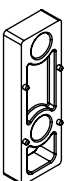
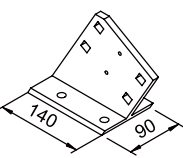
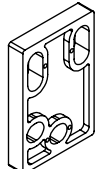

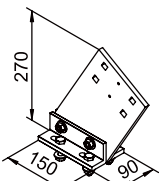
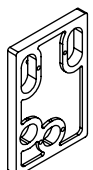
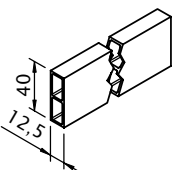
except when the extension is the maximum for the width of each awning. (see also arm separation table)

continuous awning covers only on request.

If coupled awnings are to be fitted into a recess or reveal the overall width of the coupled blind or awning must be at least 6 cm less than the width of the opening to allow the blind/awning to be coupled. Make a special note if the awning is to be fitted into a recess/reveal and note the reveal width separately.

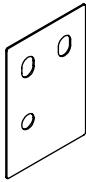
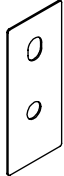
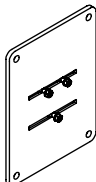
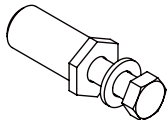
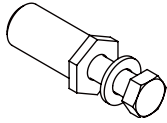
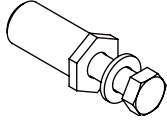
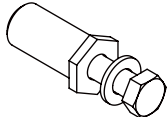
frame colours		
	RAL 9016 traffic white	●
	RAL 9006 metallic aluminium	●
	5204 nano-anthracite metallic	●
	RAL 8019 grey brown	○
	RAL 1015 light ivory	○
	non-standard RAL colour	○

fixings and accessories

 <p>Face fixture bracket assembly 100mm 70867.</p>	 <p>Angle and fixture plate for eaves fixture machine finish 716620</p>	 <p>Spacer plate for face fixture 45x150x20mm N.B! stack to a max. of 200 mm 718251</p>
 <p>Face fixture bracket assembly 45mm 71813.</p>	 <p>Additional eaves fixture plate 60x260x12mm 75383.</p>	 <p>Spacer plate for face fixture 45x150x12mm 71826.</p>
 <p>Top fixture bracket assembly 90mm 70868.</p>	 <p>Top fixture bracket assembly assembly for central fixture 90mm 70869.</p>	 <p>Spacer plate for top fixture 90x140x20mm N.B! stack to a max. of 200 mm 716311</p>
 <p>Top fixture bracket assembly 45mm 71818.</p>	 <p>Angled profile for eaves fixtures 100x100mm available by the metre, undrilled 79380.</p>	 <p>Spacer plate for top fixture 90x140x12mm 716411</p>
 <p>Eaves fixture bracket assembly 90mm complete set 70871.</p>	 <p>Component assembly spreader plate A 160x430x12mm 75326.</p>	 <p>Spacer plate for top fixture 45x140x20mm N.B! stack to a max. of 200 mm 716261</p>
 <p>Eaves fixture bracket 140mm 71612.</p>	 <p>Spacer plate for face fixture 100x150x20mm N.B! stack to a max. of 200 mm 718231</p>	 <p>Spacer plate for top fixture 45x140x12mm 716371</p>
 <p>Eaves fixture bracket assembly 270mm 71659.</p>	 <p>Spacer plate for face fixture 100x150x12mm 718241</p>	 <p>stand-off strip for wall sealing profile available by the metre Fixture example, see face fixture with wall sealing profile 751971</p>

. = Please insert the RAL No. (please refer to the section on "Coatings")

fixings and accessories

	<p>Cover plate for external insulation</p>
<p>71833.</p>	<p>140x200x2mm</p>
	<p>Cover plate for external insulation</p>
<p>71834.</p>	<p>85x200x2mm</p>
	<p>Component assembly spreader plate B</p>
<p>75325.</p>	<p>300x400x12mm</p>
	<p>Reduction assembly M 16 - M 12 / SW 27</p>
<p>753891</p>	<p>50mm length (please refer to "Technical Information")</p>
	<p>Reduction assembly M 10 - M 10 / SW 27</p>
<p>754901</p>	<p>50mm length (please refer to "Technical Information")</p>
	<p>Reduction assembly M 12 - M 10 / SW 27</p>
<p>754911</p>	<p>50mm length (please refer to "Technical Information")</p>
	<p>reducing bolt assembly M 16 - M 10 / SW 27</p>
<p>754921</p>	<p>50mm length (please refer to "Technical Information")</p>

. = Please insert the RAL No. (please refer to the section on "Coatings")

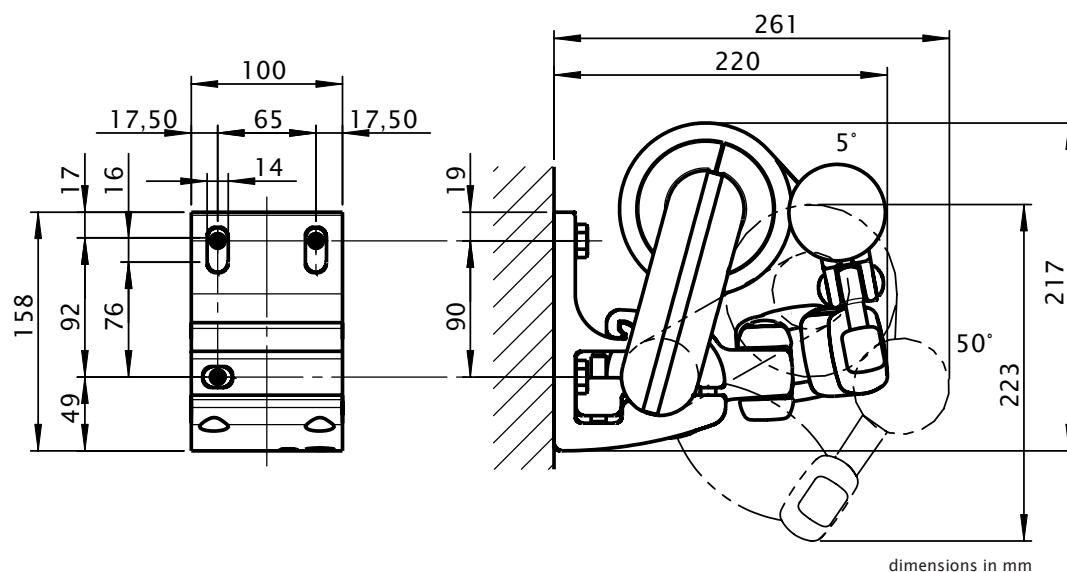
Face fixture

Pull-out force [N=Newton] per fixture point according to EN 13561, wind resistance class 2

compression-proof substrate											non compression-proof substrate										
H [cm]	M [cm]										M [cm]										
	250	300	350	400	450	500	550	600	650	700	250	300	350	400	450	500	550	600	650	700	
FB [N]											FB [N]										
150	364	418	471	525	578	632	685	739	793	696	522	599	676	752	829	906	983	1059	1136	998	
200	610	696	783	869	956	1042	1128	1215	1301	1186	874	998	1122	1246	1370	1493	1617	1741	1865	1700	
250	---	999	1126	1253	1380	1507	1634	1760	2150	1994	---	1432	1614	1796	1978	2160	2341	2523	3082	2859	
300	---	---	1529	1704	1879	2054	2546	2751	2957	2777	---	---	2192	2443	2693	2943	3650	3944	4238	3980	
350	---	---	---	2298	2528	3149	3421	3692	3549	3803	---	---	---	3293	3623	4514	4903	5293	5086	5451	
400	---	---	---	---	3644	3991	4338	4685	---	4773	---	---	---	---	5222	5720	6218	6715	---	6841	
HT BHT	2 100 mm					2 100 mm			3 100 mm			2 100 mm					2 100 mm		3 100 mm		
	---					2 60 mm			2 60 mm			---					2 60 mm		2 60 mm		
BM	6					10			13			6					10		13		

The pull-out force refers to the vertical centre to centre measurement between the fixture points of 90 mm. If this measurement is reduced, the pull-out force increases by 14% in the case of **compression-proof** substrates and by 19% in the case of **non-compression-proof** substrates. If the awning is fitted with two brackets per folding arm the pull-out force may be halved. Position the brackets to the left and right of the arm bearer.

M = overall awning width
 H = extension
 FB = pull-out force per fixing point
 HT | BHT = bracket quantity | width
 BM = no. of fixing points



dimensions in mm

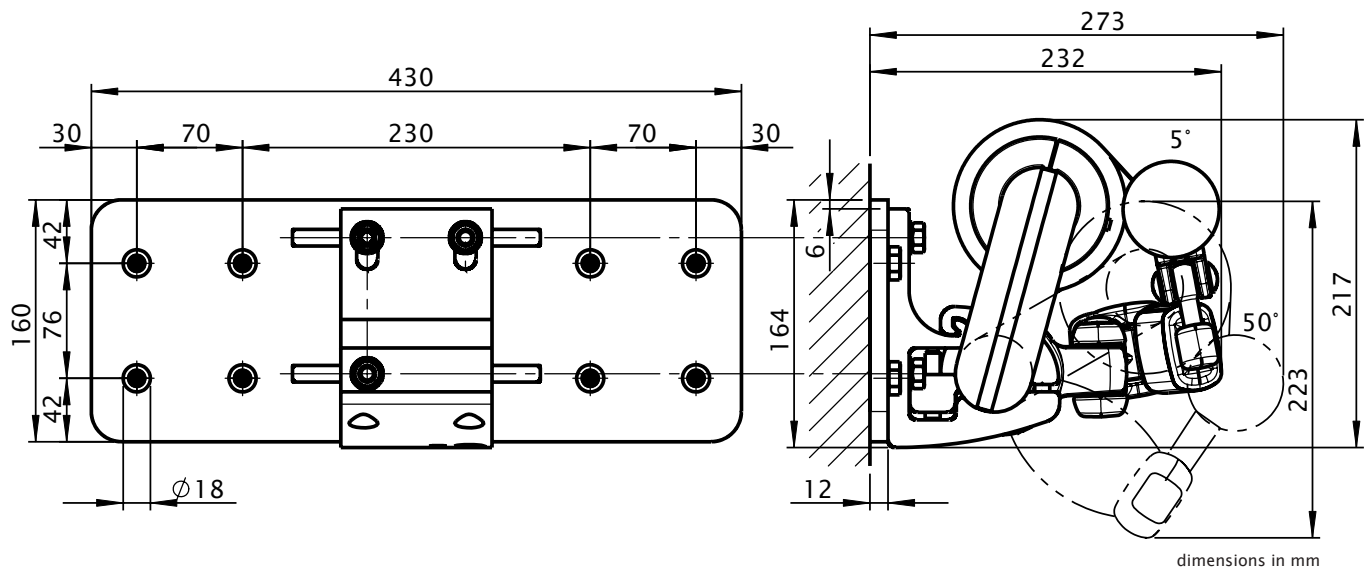
Face fixture with spreader plate A

Pull-out force [N=Newton] per fixture point according to EN 13561, wind resistance class 2

compression-proof substrate											non compression-proof substrate													
H [cm]	M [cm]										M [cm]													
	250	300	350	400	450	500	550	600	650	700	250	300	350	400	450	500	550	600	650	700				
FB [N]											FB [N]													
150	212	242	273	304	334	365	396	426	457	376	301	345	388	432	475	519	562	606	649	534				
200	356	406	456	506	556	606	656	705	755	639	507	577	648	719	790	861	932	1002	1073	908				
250	---	585	658	732	805	879	952	1026	1258	1097	---	831	935	1040	1144	1249	1353	1458	1787	1559				
300	---	---	896	998	1099	1201	1494	1614	1734	1535	---	---	1273	1418	1562	1706	2123	2293	2464	2181				
350	---	---	---	1349	1483	1853	2012	2171	1948	2096	---	---	---	1917	2107	2633	2859	3085	2768	2979				
400	---	---	---	---	2147	2351	2555	2759	---	2641	---	---	---	---	3051	3341	3630	3920	---	3753				
HT BHT	2 100					2 100					3 100 mm			2 100 mm					3 100 mm					
	---					2 60 mm					2 60 mm			---					2 60 mm			2 60 mm		
BP	2					2					3			2					2			3		
DP	---					2					2			---					2			2		
BM	16					20					28			16					20			28		

The pull-out force refers to the vertical centre to centre measurement between the fixture points of 76 mm. In the case of spreader plates a washer conforming to DIN 9021 must be used.

- M = overall awning width
- H = extension
- FB = pull-out force per fixing point
- HT | BHT = bracket quantity | width
- BP = no. of spreader plates
- DP = no. of spacer plates
- BM = no. of fixing points



dimensions in mm

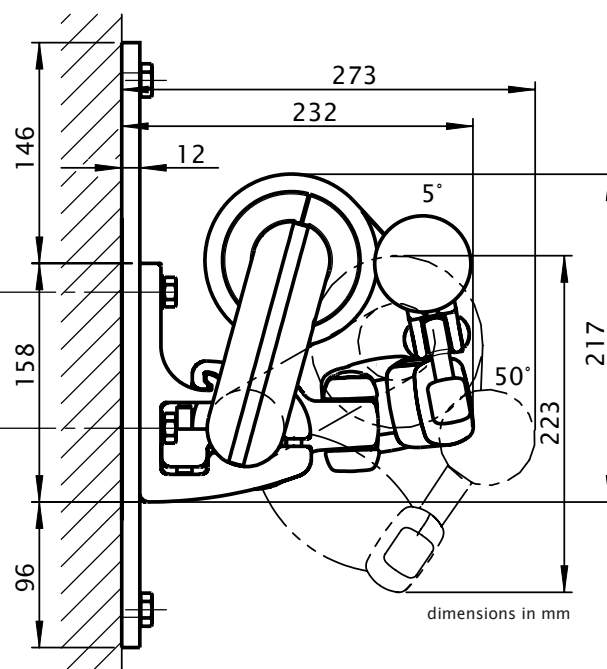
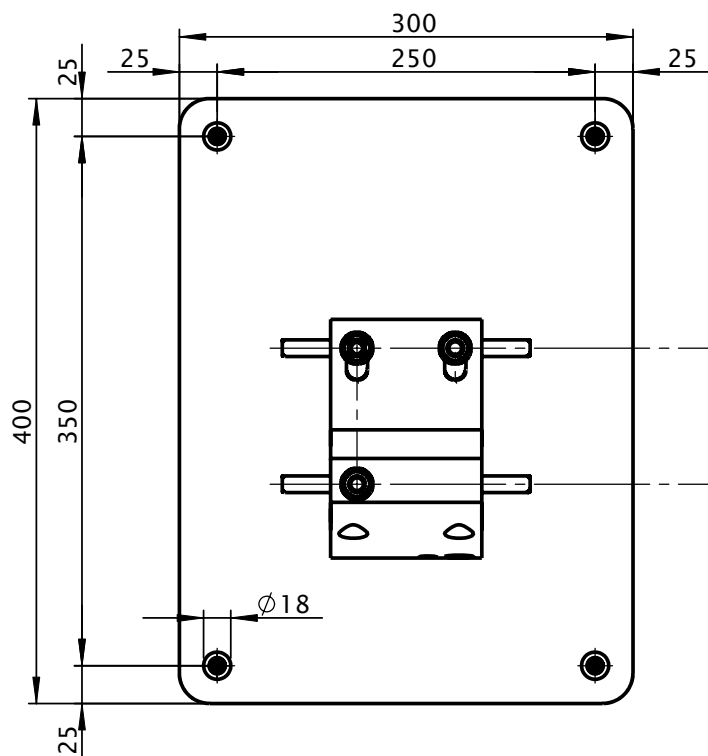
Face fixture with spreader plate B

Pull-out force [N=Newton] per fixture point according to EN 13561, wind resistance class 2

compression-proof substrate											non compression-proof substrate											
H [cm]	M [cm]										M [cm]											
	250	300	350	400	450	500	550	600	650	700	250	300	350	400	450	500	550	600	650	700		
FB [N]											FB [N]											
150	125	143	162	180	198	216	234	252	270	222	131	150	169	187	206	225	244	263	282	232		
200	211	240	270	299	329	358	388	417	447	378	220	251	282	312	343	374	405	435	466	394		
250	---	346	390	433	477	520	564	607	744	649	---	361	406	452	497	542	588	633	776	677		
300	---	---	530	590	650	711	884	955	1026	908	---	---	553	616	678	741	922	996	1070	947		
350	---	---	---	798	878	1096	1191	1285	1153	1240	---	---	---	832	915	1143	1242	1340	1202	1294		
400	---	---	---	---	1271	1391	1512	1633	---	1563	---	---	---	---	1325	1451	1577	1703	---	1630		
HT BHT	2 100 mm				2 100 mm			3 100 mm				2 100 mm				2 100 mm			3 100 mm			
	---				2 60 mm			2 60 mm				---				2 60 mm			2 60 mm			
BP	2				2			3				2				2			3			
DP	---				2			2				---				2			2			
BM	8				12			16				8				12			16			

The pull-out force refers to the vertical centre to centre measurement between the fixture points of 350 mm. In the case of spreader plates a washer conforming to DIN 9021 must be used.

- M = overall awning width
- H = extension
- FB = pull-out force per fixing point
- HT | BHT = bracket quantity | width
- BP = no. of spreader plates
- DP = no. of spacer plates
- BM = no. of fixing points



dimensions in mm

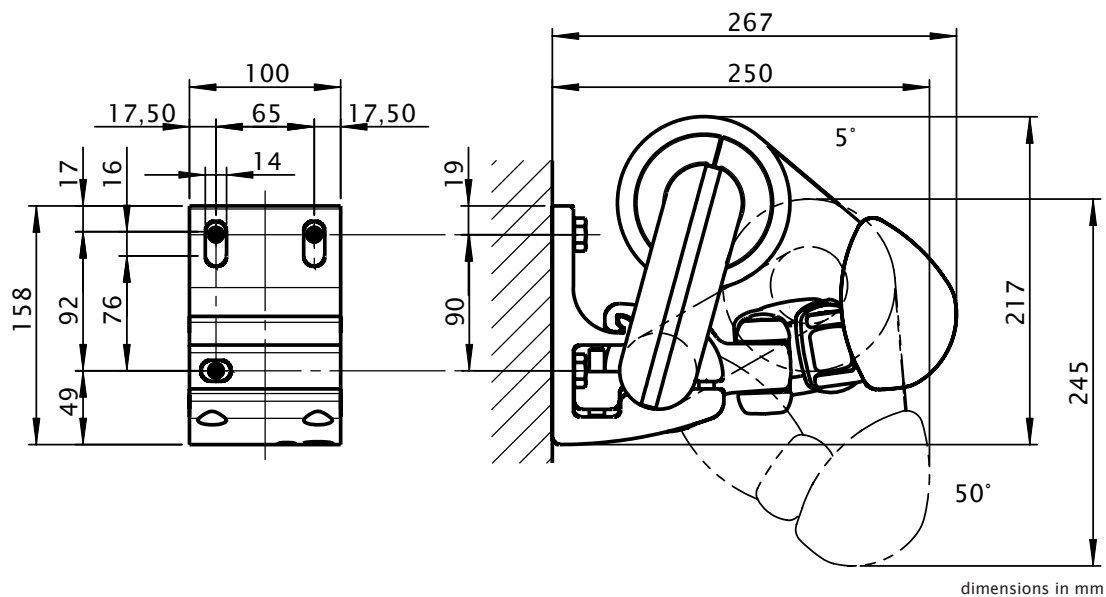
Face fixture with shadeplus

Pull-out force [N=Newton] per fixture point according to EN 13561, wind resistance class 2

H [cm]	compression-proof substrate										non compression-proof substrate									
	M [cm]										M [cm]									
	250	300	350	400	450	500	550	600	650	700	250	300	350	400	450	500	550	600	650	700
	FB [N]										FB [N]									
150	499	578	657	736	815	895	974	1053	1132	980	715	828	942	1055	1169	1282	1396	1509	1623	1404
200	789	910	1030	1151	1271	1392	1513	1633	1754	1576	1131	1304	1477	1650	1822	1995	2168	2341	2514	2259
250	---	1266	1436	1605	1775	1944	2114	2284	2716	2495	---	1815	2058	2301	2544	2787	3030	3273	3893	3576
300	---	---	1901	2127	2353	2579	3123	3379	3636	3386	---	---	2724	3048	3372	3696	4476	4844	5211	4854
350	---	---	---	2790	3080	3762	4093	4425	4217	4526	---	---	---	4000	4415	5392	5867	6342	6044	6487
HT BHT	2 100 mm					2 100 mm			3 100 mm		2 100 mm					2 100 mm			3 100 mm	
	---					2 60 mm			2 60 mm		---					2 60 mm			2 60 mm	
BM	6					10			13		6					10			13	

The pull-out force refers to the vertical centre to centre measurement between the fixture points of 90 mm. If this measurement is reduced, the pull-out force increases by 14% in the case of **compression-proof** substrates and by 19% in the case of **non-compression-proof** substrates. If the awning is fitted with two brackets per folding arm the pull-out force may be halved. Position the brackets to the left and right of the arm bearer.

M = overall awning width
 H = extension
 FB = pull-out force per fixing point
 HT | BHT = bracket quantity | width
 BM = no. of fixing points



dimensions in mm

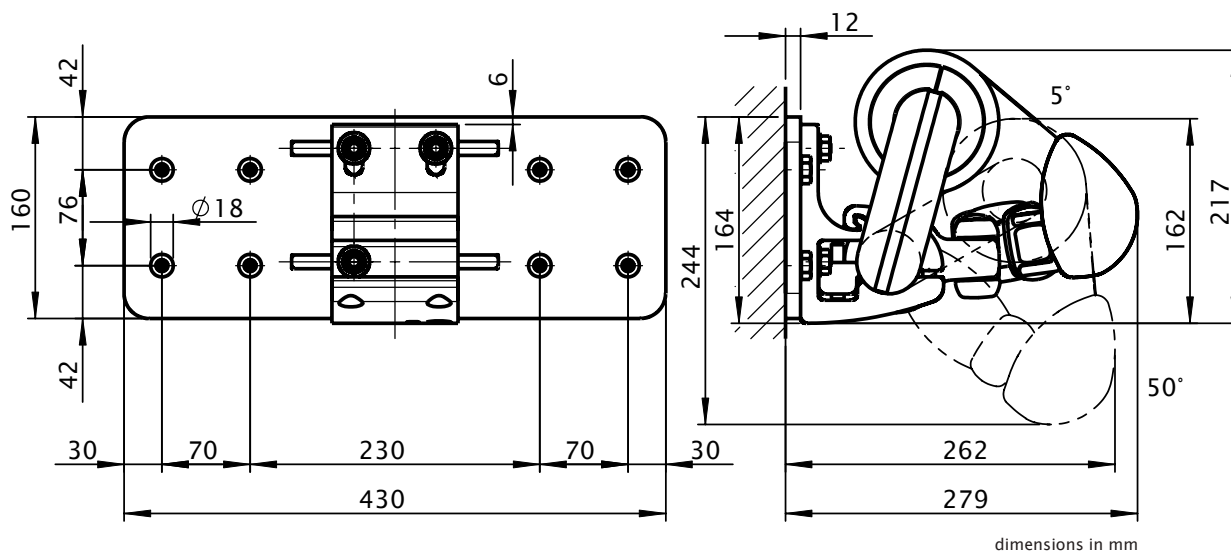
Face fixture with shadeplus and spreader plate A

Pull-out force [N=Newton] per fixture point according to EN 13561, wind resistance class 2

		compression-proof substrate										non compression-proof substrate									
		M [cm]										M [cm]									
		250	300	350	400	450	500	550	600	650	700	250	300	350	400	450	500	550	600	650	700
H [cm]		FB [N]										FB [N]									
150		301	349	397	445	493	540	588	636	684	563	428	496	564	632	700	768	836	904	972	801
200		476	548	621	694	766	839	912	984	1057	897	676	779	882	986	1089	1192	1295	1399	1502	1275
250		---	762	864	966	1068	1170	1272	1374	1635	1427	---	1083	1228	1373	1518	1663	1807	1952	2323	2028
300		---	---	1142	1278	1414	1550	1877	2031	2186	1937	---	---	1623	1816	2009	2202	2668	2887	3106	2753
350		---	---	---	1676	1850	2260	2459	2658	2388	2573	---	---	---	2382	2629	3211	3494	3777	3394	3656
HT BHT		2 100 mm			2 100 mm			3 100 mm				2 100 mm			2 100 mm			3 100 mm			
		---			2 60 mm			2 60 mm				---			2 60 mm			2 60 mm			
BP		2			2			3				2			2			3			
DP		---			2			2				---			2			2			
BM		16			20			28				16			20			28			

The pull-out force refers to the vertical centre to centre measurement between the fixture points of 76 mm. In the case of spreader plates a washer conforming to DIN 9021 must be used.

- M = overall awning width
- H = extension
- FB = pull-out force per fixing point
- HT | BHT = bracket quantity | width
- BP = no. of spreader plates
- DP = no. of spacer plates
- BM = no. of fixing points



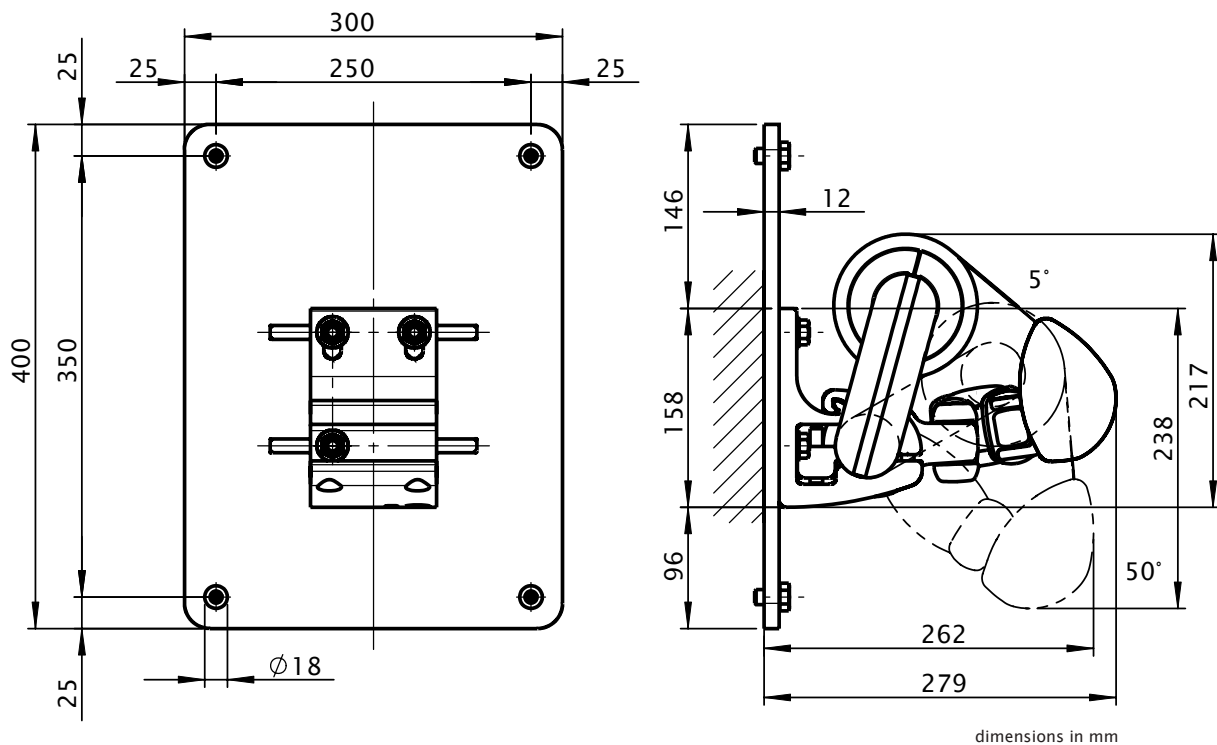
Face fixture with shadeplus and spreader plate B

Pull-out force [N=Newton] per fixture point according to EN 13561, wind resistance class 2

H [cm]	compression-proof substrate										non compression-proof substrate																			
	M [cm]										M [cm]																			
	250	300	350	400	450	500	550	600	650	700	250	300	350	400	450	500	550	600	650	700										
	FB [N]										FB [N]																			
150	178	207	235	263	292	320	348	376	405	333	186	215	245	274	304	334	363	393	422	348										
200	281	324	367	410	453	496	539	583	626	531	293	338	383	428	473	518	563	607	652	554										
250	---	451	511	572	632	692	753	813	967	845	---	470	533	596	659	722	785	848	1009	881										
300	---	---	676	756	837	917	1111	1202	1293	1146	---	---	705	789	873	957	1158	1254	1349	1196										
350	---	---	---	992	1095	1337	1455	1573	1413	1523	---	---	---	1034	1142	1394	1517	1640	1474	1588										
HT BHT	2 100 mm					2 100 mm					3 100 mm					2 100 mm					3 100 mm									
	---					2 60 mm					2 60 mm					---					2 60 mm					2 60 mm				
BP	2					2					3					2					2					3				
DP	---					2					2					---					2					2				
BM	16					20					28					16					20					28				

The pull-out force refers to the vertical centre to centre measurement between the fixture points of 350 mm. In the case of spreader plates a washer conforming to DIN 9021 must be used.

- M = overall awning width
- H = extension
- FB = pull-out force per fixing point
- HT | BHT = bracket quantity | width
- BP = no. of spreader plates
- DP = no. of spacer plates
- BM = no. of fixing points



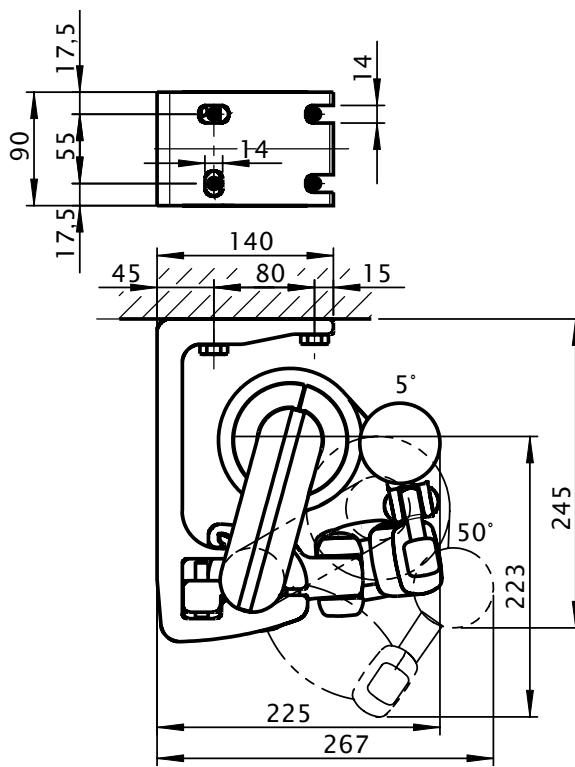
Top fixture

Pull-out force [N=Newton] per fixture point according to EN 13561, wind resistance class 2

		compression-proof substrate										non compression-proof substrate																			
		M [cm]										M [cm]																			
		250	300	350	400	450	500	550	600	650	700	250	300	350	400	450	500	550	600	650	700										
H [cm]	BHT	FB [N]										FB [N]																			
150		455	524	594	663	733	802	871	941	1010	921	627	721	815	910	1004	1098	1192	1287	1381	1248										
200		725	830	936	1041	1146	1251	1356	1462	1567	1458	1015	1161	1307	1452	1598	1744	1890	2035	2181	2019										
250		---	1164	1314	1463	1612	1762	1911	2061	2505	2351	---	1641	1850	2059	2269	2478	2687	2897	3530	3303										
300		---	---	1758	1960	2162	2365	2923	3160	3396	3215	---	---	2489	2774	3059	3344	4142	4476	4811	4546										
350		---	---	---	2618	2881	3583	3893	4202	4062	4353	---	---	---	3719	4092	5096	5536	5975	5768	6180										
400		---	---	---	---	4123	4516	4910	5303	---	5429	---	---	---	---	5877	6438	6998	7558	---	7728										
HT BHT		2 90 mm					2 90 mm					3 90 mm					2 90 mm					3 90 mm									
		---					2 60 mm					2 60 mm					---					2 60 mm					2 60 mm				
BM		8					12					16					8					12					16				

The pull-out force refers to the horizontal centre to centre separation of the fixture point of 80 mm. If the awning is fitted with two brackets per folding arm the pull-out force may be halved. Place the brackets directly left and right of the arm bearer.

M = overall awning width
 H = extension
 FB = pull-out force per fixing point
 HT | BHT = bracket quantity | width
 BM = no. of fixing points



dimensions in mm

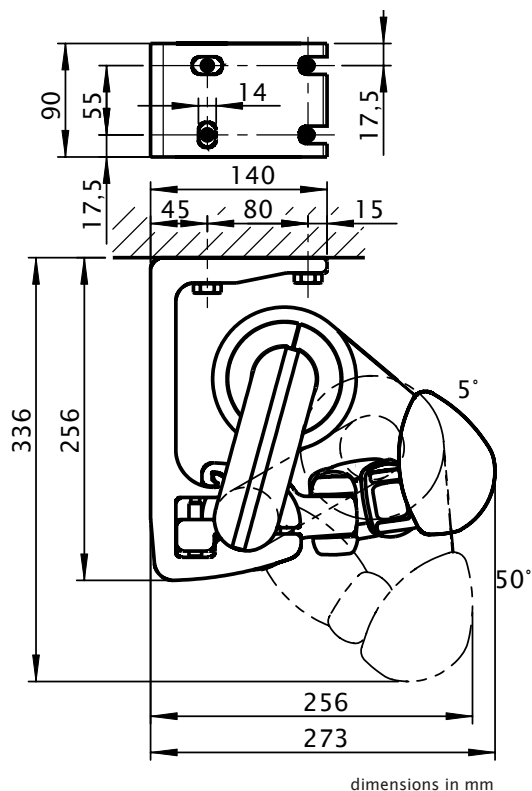
Top fixture with shadeplus

Pull-out force [N=Newton] per fixture point according to EN 13561, wind resistance class 2

H [cm]	compression-proof substrate										non compression-proof substrate									
	M [cm]										M [cm]									
	250	300	350	400	450	500	550	600	650	700	250	300	350	400	450	500	550	600	650	700
	FB [N]										FB [N]									
150	622	723	825	926	1027	1129	1230	1331	1433	1274	867	1007	1147	1287	1427	1568	1708	1848	1988	1755
200	947	1095	1243	1391	1539	1687	1834	1982	2130	1943	1335	1542	1749	1956	2163	2370	2577	2784	2991	2716
250	---	1495	1698	1901	2103	2306	2509	2712	3209	2974	---	2116	2402	2688	2974	3260	3546	3832	4542	4198
300	---	---	2219	2485	2752	3018	3640	3941	4241	3974	---	---	3152	3529	3906	4283	5173	5599	6025	5635
350	---	---	---	3230	3568	4345	4729	5113	4892	5252	---	---	---	4600	5080	6191	6738	7285	6962	7473
HT BHT	2 90 mm					2 90 mm			3 90 mm		2 90 mm					2 90 mm			3 90 mm	
	---					2 60 mm			2 60 mm		---					2 60 mm			2 60 mm	
BM	8					12			16		8					12			16	

The pull-out force refers to the horizontal centre to centre separation of the fixture point of 80 mm. If the awning is fitted with two brackets per folding arm the pull-out force may be halved. Place the brackets directly left and right of the arm bearer.

M = overall awning width
 H = extension
 FB = pull-out force per fixing point
 HT | BHT = bracket quantity | width
 BM = no. of fixing points



dimensions in mm

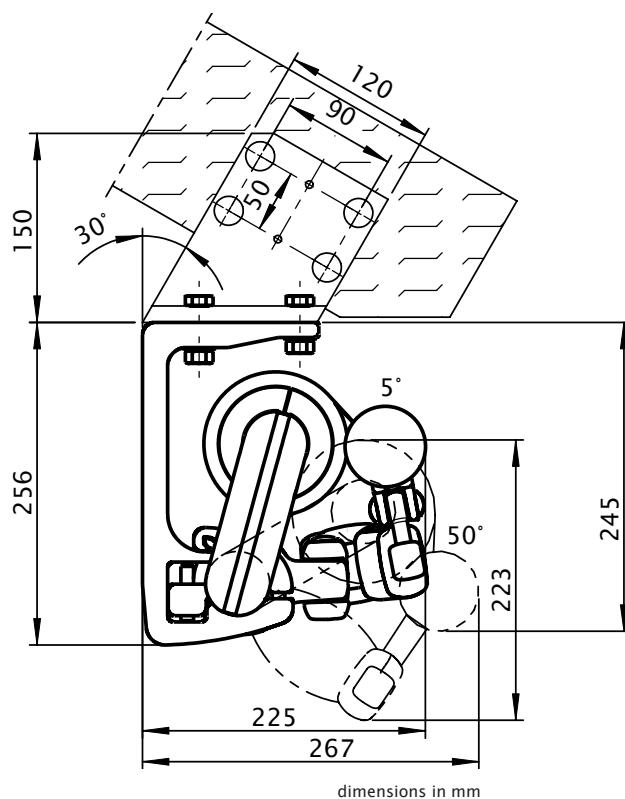
Eaves/Roof timber fixture

Pull-out force [N=Newton] for the fixture bracket next to the arm according to EN 13561, wind resistance class 2

H [cm]	Torque											shear force																		
	M [cm]											M [cm]																		
	250	300	350	400	450	500	550	600	650	700	250	300	350	400	450	500	550	600	650	700										
	Md [Nm]											FS [N]																		
150	90	103	116	130	143	156	169	182	195	172	1128	1299	1469	1639	1810	1980	2150	2320	2491	2257										
200	152	174	195	216	238	259	280	302	323	295	1819	2080	2342	2604	2866	3128	3390	3652	3914	3628										
250	---	250	282	313	345	376	408	439	539	501	---	2933	3308	3683	4058	4433	4808	5183	6312	5911										
300	---	---	384	428	471	515	641	692	744	699	---	---	4445	4954	5464	5973	7395	7991	8588	8120										
350	---	---	---	579	637	795	864	932	897	961	---	---	---	6634	7299	9087	9872	10656	10290	11026										
400	---	---	---	---	922	1010	1098	1185	---	1208	---	---	---	---	10474	11472	12471	13469	---	13777										
HT	2					4					5					2					4					5				
BM	8					16					20					8					16					20				

The shear force are calculated from 2 fixture points per bracket, because depending on the roof pitch it cannot be guaranteed that 4 fixture points per bracket can used.

- M = overall awning width
- H = extension
- Md = torque value for the bracket next to the arm
- FS = shear force
- HT = bracket
- BM = no. of fixing points



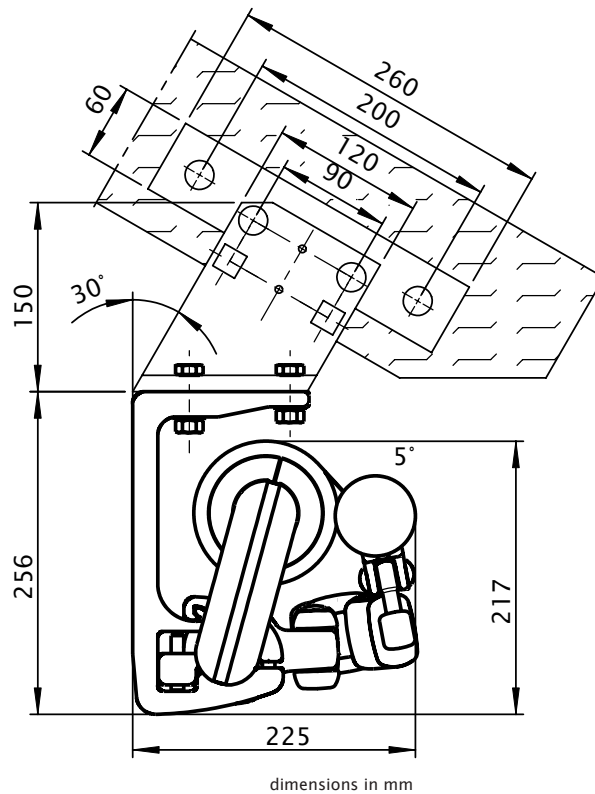
Eaves fixture with additional plate

Pull-out force [N=Newton] for the fixture bracket next to the arm according to EN 13561, wind resistance class 2

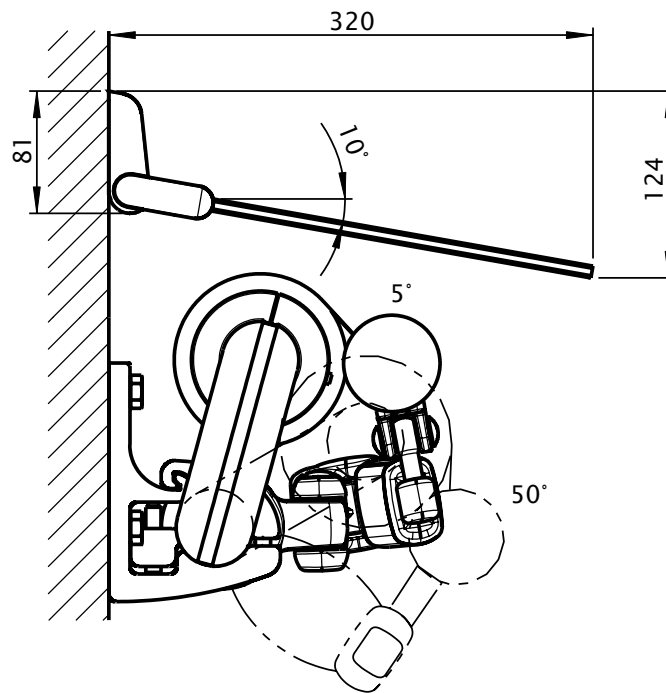
H [cm]	Torque										shear force																			
	M [cm]										M [cm]																			
	250	300	350	400	450	500	550	600	650	700	250	300	350	400	450	500	550	600	650	700										
	Md [Nm]										FS [N]																			
150	90	103	116	130	143	156	169	182	195	172	576	667	757	848	938	1028	1119	1209	1300	1208										
200	152	174	195	216	238	259	280	302	323	295	887	1019	1150	1282	1413	1545	1677	1808	1940	1825										
250	---	250	282	313	345	376	408	439	539	501	---	1402	1585	1767	1950	2132	2315	2497	3019	2853										
300	---	---	384	428	471	515	641	692	744	699	---	---	2096	2339	2582	2825	3479	3761	4043	3847										
350	---	---	---	579	637	795	864	932	897	961	---	---	---	3095	3408	4227	4594	4960	4809	5154										
400	---	---	---	---	922	1010	1098	1185	---	1208	---	---	---	---	4837	5300	5763	6226	---	6392										
HT	2					4					5					2					4					5				
BM	4					8					10					4					8					10				

By using the additional flat plate, the shear force is reduced in comparison with conventional eaves fixture.

- M = overall awning width
- H = extension
- Md = torque value for the bracket next to the arm
- FS = shear force
- HT = bracket
- BM = no. of fixing points

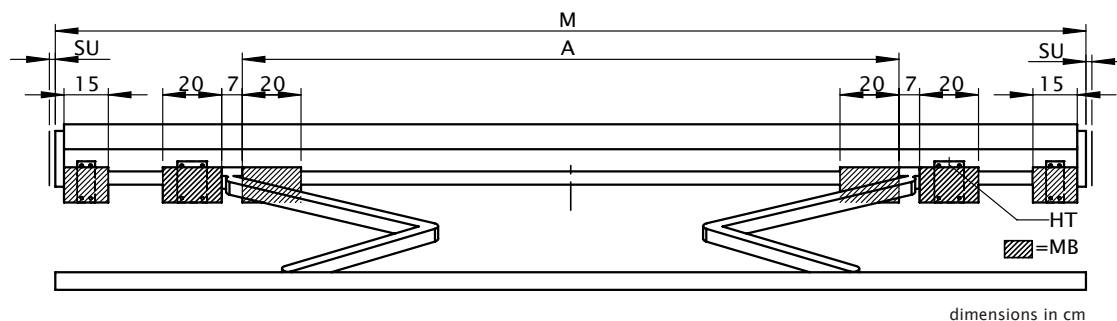


Face fixture with system coverboard



dimensions in mm

Bracket range for awnings with 2 folding arms



M [cm]	SB ZB	250 176-250	300 251-300	350 301-350	400 351-400	450 401-450	500 451-500	550 501-550	600 551-600	650 601-650
H [cm]	A [cm]									
	150	155 ■	210	240	280	320	390	425	460	500
	200	205 ▲	210 ■	240	280	320	390	425	460	500
	250	---	255 ▲	260 ■	280	320	390	425	460	500
	300	---	---	305 ▲	310 ■	320	390	425	460	500
	350	---	---	---	355 ▲	360 ■	390	425	460	---
400	---	---	---	---	405 ▲	421 ■	425	460	---	
W	HT BHT	45 mm	---				1			
		100 mm	2				2			
DE/DA	HT BHT	45 mm	---				1			
		90 mm	2				2			

dimensions in cm

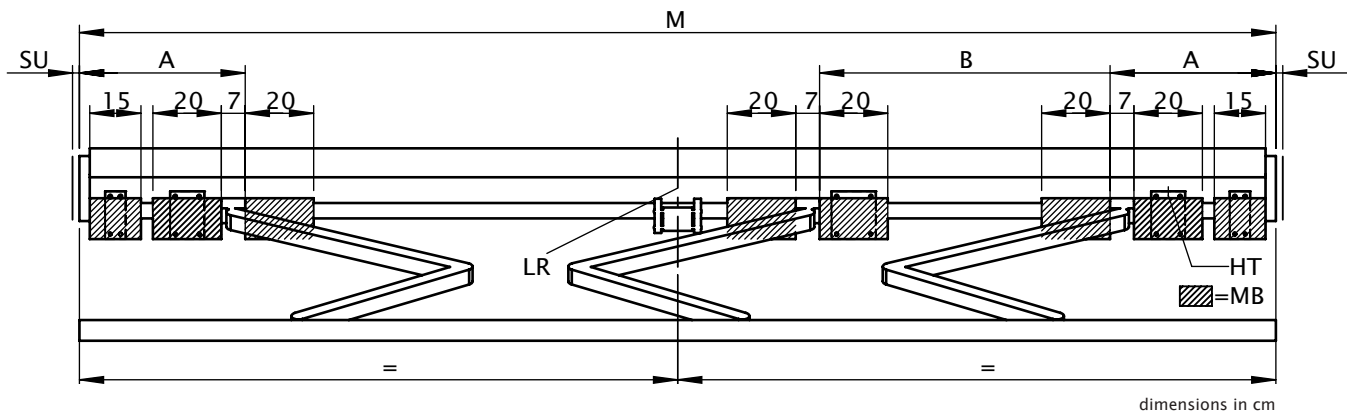
▲ = Please note the minimum widths, dimension A is only valid for standard arms! (dimension A is 13 cm smaller in the case of bespoke arms.) In the case of narrow awning widths the brackets can only be fitted inside the arms, i.e. within dimension A.

■ = coupled units are only available with junction roller in the standard widths, in other widths on request

- M = overall awning width
- A = arm position
- HT = bracket
- MB = range for bracket fixture
- SU = coverboard overhang 2 cm
- SB = standard width
- ZB = intermediate width
- H = extension
- W = face fixture
- DE/DA = top fixture and eaves fixture
- HT | BHT = bracket quantity | width

If the brackets cannot be positioned in accordance with this table, make sure the actual measurements are noted on the order form!

Bracket range for awnings with 3 folding arms



dimensions in cm

M [cm]	SB ZB	650 640 - 650		651 - 674		700 675 - 689		690 - 700		KM [cm]
		A [cm]	B [cm]	A [cm]	B [cm]	A [cm]	B [cm]	A [cm]	B [cm]	
H [cm]	150	---	---	55	235	55	245	55	245	440
	200	---	---	55	225	55	235	55	235	490
	250	---	---	55	215	55	225	55	225	540
	300	---	---	45	210	55	215	55	215	590
	350	17 ▲	215 ▲	22 ▲	215 ▲	34	225	40	225	640
400	---	---	---	---	---	---	17 ▲	225 ▲	690	
W	BHT	45 mm								
	BHT	100 mm								
DE/DA	HT	45 mm								
	HT	90 mm								

dimensions in cm

▲ = coupled units not available with junction roller

- M = overall awning width
- A = arm position
- A = arm position
- HT = bracket
- MB = range for bracket fixture
- LR = Rolltex bearing with bracket is always situated under the central seam (depends on the width)
- SU = coverboard overhang 2 cm
- SB = standard width
- ZB = intermediate width
- H = extension
- W = face fixture
- DE/DA = top fixture and eaves fixture
- HT | BHT = bracket quantity | width
- KM = minimum awning width

If the brackets cannot be positioned in accordance with this table, make sure the actual measurements are noted on the order form!

По вопросам продаж и поддержки обращайтесь:

Архангельск (8182)63-90-72	Краснодар (861)203-40-90	Рязань (4912)46-61-64
Астана (7172)727-132	Красноярск (391)204-63-61	Самара (846)206-03-16
Белгород (4722)40-23-64	Курск (4712)77-13-04	Санкт-Петербург (812)309-46-40
Брянск (4832)59-03-52	Липецк (4742)52-20-81	Саратов (845)249-38-78
Владивосток (423)249-28-31	Магнитогорск (3519)55-03-13	Смоленск (4812)29-41-54
Волгоград (844)278-03-48	Москва (495)268-04-70	Сочи (862)225-72-31
Вологда (8172)26-41-59	Мурманск (8152)59-64-93	Ставрополь (8652)20-65-13
Воронеж (473)204-51-73	Набережные Челны (8552)20-53-41	Тверь (4822)63-31-35
Екатеринбург (343)384-55-89	Нижний Новгород (831)429-08-12	Томск (3822)98-41-53
Иваново (4932)77-34-06	Новокузнецк (3843)20-46-81	Тула (4872)74-02-29
Ижевск (3412)26-03-58	Новосибирск (383)227-86-73	Тюмень (3452)66-21-18
Казань (843)206-01-48	Орел (4862)44-53-42	Ульяновск (8422)24-23-59
Калининград (4012)72-03-81	Оренбург (3532)37-68-04	Уфа (347)229-48-12
Калуга (4842)92-23-67	Пенза (8412)22-31-16	Челябинск (351)202-03-61
Кемерово (3842)65-04-62	Пермь (342)205-81-47	Череповец (8202)49-02-64
Киров (8332)68-02-04	Ростов-на-Дону (863)308-18-15	Ярославль (4852)69-52-93

Единый адрес: mxr@nt-rt.ru **Веб-сайт:** www.markilux.nt-rt.ru